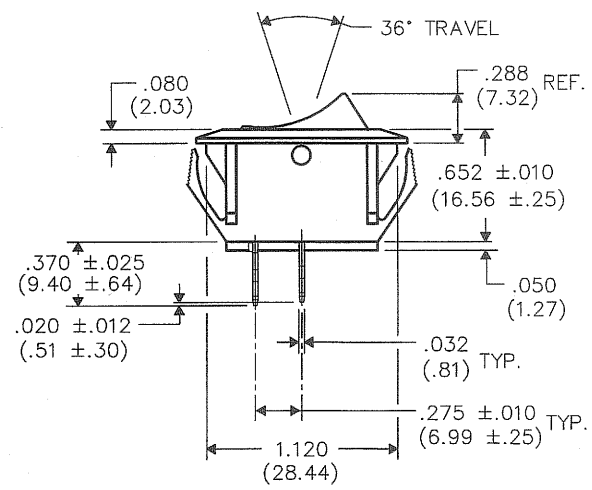
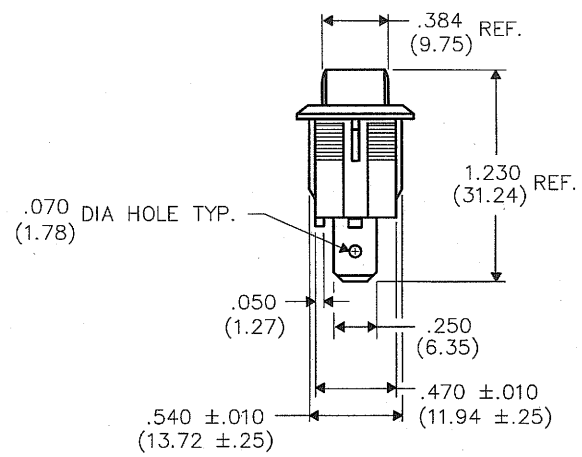
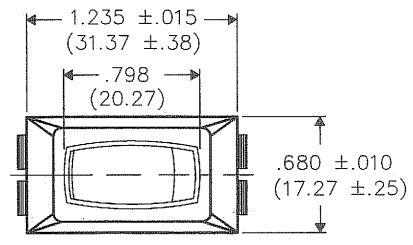
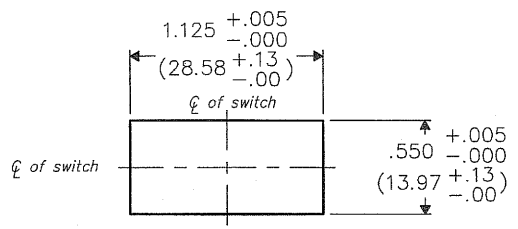


F
D
C
B
A
 THIS INFORMATION IS CONFIDENTIAL AND PROPRIETARY TO CW INDUSTRIES INCORPORATED AND ITS AFFILIATES. IT MAY NOT BE DISCLOSED TO ANYONE, OTHER THAN CW INDUSTRIES PERSONNEL, WITHOUT WRITTEN AUTHORIZATION FROM CW INDUSTRIES INCORPORATED, SOUTHAMPTON, PENNSYLVANIA USA.

PANEL PIERCING



MATERIAL:
 ROCKER KNOB & HOUSING-
 High Temp. Nylon, Color- Black
 MOVING CONTACT & TERMINALS-
 Copper Alloy/Micro-Finish

RATING: UL/CSA/VDE
 16A. 125V 12A. 250VAC
 3/4 H.P. 125-250VAC
 10A. 14VT 12(6)A. 250V ~ T85°

1	2	3	4	5	6	7	8	9	10
---	---	---	---	---	---	---	---	---	----

B-FORMAT 2002

REVISIONS
0
RELEASED: DGW 2-23-2012
FEB 23 2012

PDF Made	Southampton, Pa. 18966 TOLERANCES UNLESS OTHERWISE SPECIFIED 2 Place Decimal \pm .010 METRIC 3 Place Decimal \pm .005 1 Place Dec. \pm .25mm Angles \pm 1° 2 Place Dec. \pm .13mm	Title: ASSEMBLY DRAWING SPST ROCKER SWITCH NON-POLARIZED 1.125" x .550" PANEL
	Made for: CW IND.	Division: SWITCH
	Drawn by: DGW 2-23-2012	Dwg. No.
	Checked by: G. Guld 2-24-12	GRSH-2011-2600
Approval: G. Guld 2-24-12		

MASTER