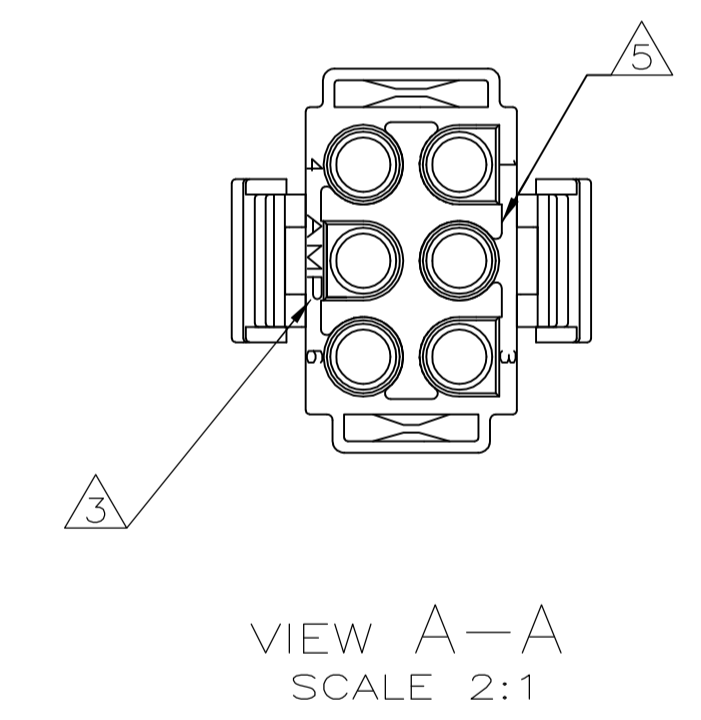


- BULK PACKAGED, UNASSEMBLED.
- APPROVAL AGENCY LOGO LOCATED APPROXIMATELY AS SHOWN.
- AMP LOGO LOCATED THIS SURFACE.
- CIRCUIT NUMBER ONE IDENTIFICATION BUTTON AND CIRCUIT IDENTIFICATION NUMBERS ARE EACH LOCATED ADJACENT TO THE APPROPRIATE CIRCUIT CAVITIES.
- NEW MOLD CONSTRUCTION PROVIDES MATERIAL REDUCTION CORING AT BASE OF SILOS WITH NO CORING AS OPTIONAL.
- DIMENSION INDICATED IS AS MOLDED. ADDITIONAL GROWTH DUE TO SUBSEQUENT MOISTURE ABSORPTION MAY OCCUR.



770020-1  
PART NUMBER

METRIC

THIS DRAWING IS A CONTROLLED DOCUMENT.		DIN K SALMON 1-22-92	PART NO	
DIMENSIONS: INCHES		CHK R SWING 1-22-92	770020-1	
TOLERANCES UNLESS OTHERWISE SPECIFIED:		APVD M TRULL 1-22-92	NAME	
0. PLC ± -			PLUG HOUSING KIT, 6 CIRCUIT, UNIVERSAL MATE-N-LOK™ II	
1. PLC ± -			PRODUCT SPEC	
2. PLC ± -			APPLICATION SPEC	
3. PLC ± 0.13 [.005]			SIZE CAGE CODE DRAWING NO	
4. PLC ± -			A1 00779 C=770020	
ANGLES ± -			RESTRICTED TO	
MATERIAL NYLON, UL94V-0, FINISH -		WEIGHT -	CUSTOMER DRAWING	
		SCALE 5:1	SHEET 1 OF 1 REV D1	