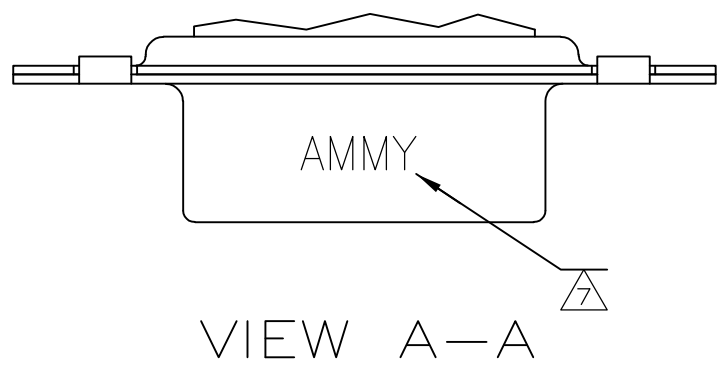
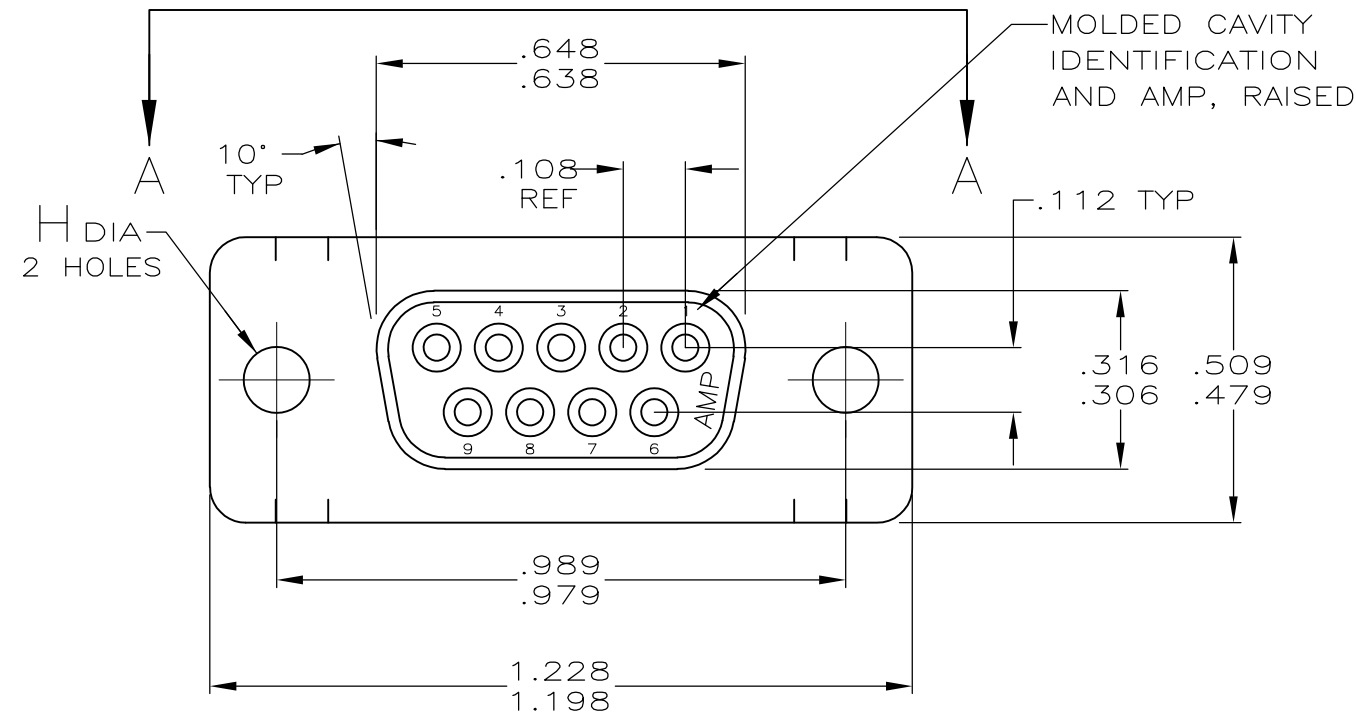
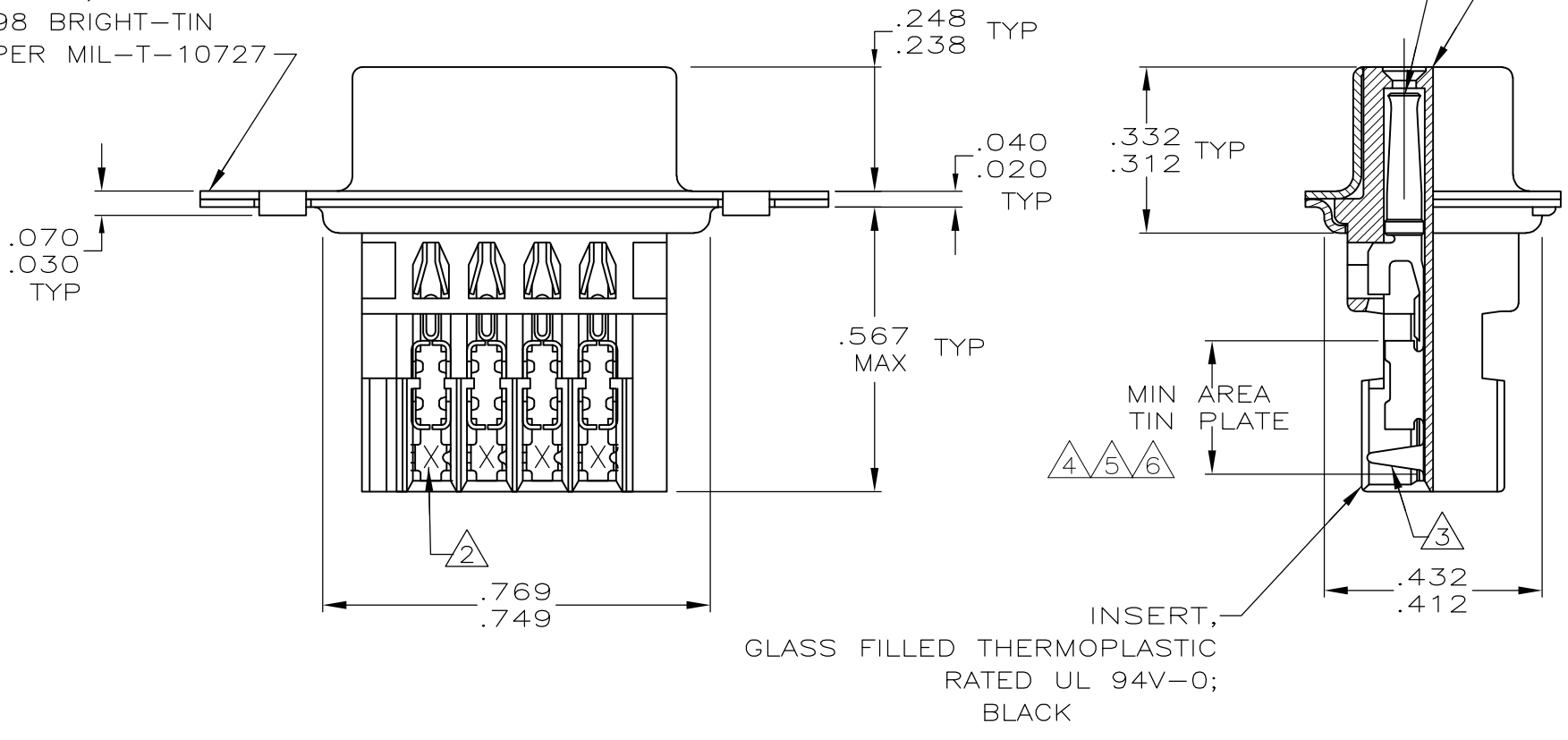


THIS DRAWING IS UNPUBLISHED. RELEASED FOR PUBLICATION
 © COPYRIGHT - By - ALL RIGHTS RESERVED.

| LOC | DIST | REVISIONS | | | |
|-----|------|-------------|---------------------------|---------|--------|
| P | LTR | DESCRIPTION | DATE | DWN | APVD |
| GP | 00 | M3 | REVISED PER ECO-11-004835 | 11MAR11 | RK HMR |



SHELL, STEEL, PER QQ-S-698 BRIGHT-TIN PLATED PER MIL-T-10727



- 1 HOUSING FULLY LOADED WITH CONTACTS.
- 2 NUMBER ON CONTACT INDICATES WIRE RANGE.
- 3 CONTACT INSULATION RANGE: .060 MAXIMUM O.D.
- 4 .000030 GOLD ON MATING END FOR .100 MIN LENGTH. .000100-.000200 BRIGHT TIN OR BRIGHT TIN-LEAD IN AREA SHOWN. .000050 NICKEL UNDERPLATE ON ENTIRE CONTACT.
- 5 .000001 MIN GOLD ON MATING END FOR .100 MIN LENGTH. .000100-.000200 BRIGHT TIN OR BRIGHT TIN-LEAD IN AREA SHOWN. .000030 NICKEL UNDERPLATE ON ENTIRE CONTACT.
- 6 .000050 MIN GOLD FOR A LENGTH OF .100 MIN FROM MATING END. .000100 MIN TIN OR TIN-LEAD IN TIN PLATE AREA. BOTH OVER .000050 MIN NICKEL.
- 7 SPECIAL DATE CODE IN THIS APPROXIMATE AREA. A; MM = MONTH; Y = LAST DIGIT OF YEAR.
- 8 SUPERSEDED BY 745491-5
- 9 SUPERSEDED BY 745491-3
- 10 SUPERSEDED BY 745491-1
- 11 .000030 GOLD ON MATING END FOR .100 MIN LENGTH. .000100-.000200 MATTE TIN IN AREA SHOWN. .000050 NICKEL UNDERPLATE ON ENTIRE CONTACT.
- 12 .000001 MIN GOLD ON MATING END FOR .100 MIN LENGTH. .000100-.000200 MATTE TIN IN AREA SHOWN. .000030 NICKEL UNDERPLATE ON ENTIRE CONTACT.

| STANDARD | PLC | FINISH | CONTACT FINISH | AWG WIRE RANGE | PART NUMBER |
|------------|-----------------------|----------------|----------------|----------------|-------------|
| STANDARD | .125 .115 | 11 | 3 | #20-22 | 1-745491-9 |
| STANDARD | .125 .115 | 12 | 2 | #22-26 | 1-745491-8 |
| STANDARD | .125 .115 | 11 | 2 | #22-26 | 1-745491-7 |
| STANDARD | .125 .115 | 11 | 1 | #26-30 | 1-745491-6 |
| SMALL PACK | .125 .115 | 5 | 2 | #22-26 | 1-745491-5 |
| 7 OBSOLETE | STANDARD .120 | 6 | 2 | #22-26 | 1-745491-3 |
| OBSOLETE | | | 3 | #20-22 | 1-745491-2 |
| OBSOLETE | STANDARD .156 .146 | 5 | 2 | #22-26 | 1-745491-1 |
| OBSOLETE | | | 1 | #26-30 | 1-745491-0 |
| OBSOLETE | | | 3 | #20-22 | 745491-9 |
| OBSOLETE | STANDARD .156 .146 | 4 | 2 | #22-26 | 745491-8 |
| OBSOLETE | | | 1 | #26-30 | 745491-7 |
| OBSOLETE | | | 3 | #20-22 | 745491-6 |
| OBSOLETE | STANDARD .125 .115 | 5 | 2 | #22-26 | 745491-5 |
| OBSOLETE | | | 1 | #26-30 | 745491-4 |
| OBSOLETE | | | 3 | #20-22 | 745491-3 |
| OBSOLETE | STANDARD .125 .115 | 4 | 2 | #22-26 | 745491-2 |
| OBSOLETE | | | 1 | #26-30 | 745491-1 |
| PACKAGING | H | CONTACT FINISH | 2 | AWG WIRE RANGE | PART NUMBER |

THIS DRAWING IS A CONTROLLED DOCUMENT.

| | | | | | |
|-----------------------|--|--|---------------------------------|-----------------|---------------------|
| DIMENSIONS: INCHES | TOLERANCES UNLESS OTHERWISE SPECIFIED: | DWN L. VARELA - DOCK5 CHK J. GERACE APVD M. WALMSLEY | 11-16-04 4-12-90 11-16-04 | NAME | TE Connectivity |
| MATERIAL SEE CALL OUT | FINISH SEE TABLE | PRODUCT SPEC 108-40011 APPLICATION SPEC 114-40002 | SIZE A2 | CAGE CODE 00779 | DRAWING NO C-745491 |
| CUSTOMER DRAWING | | | SCALE 4:1 | SHEET 1 of 1 | REV M3 |