

REV. D	031-7584		
REVISIONS			
REV.	DATE	BY	APP.
A	2/14/97	23329	
REVISED MOTOR PLATE			

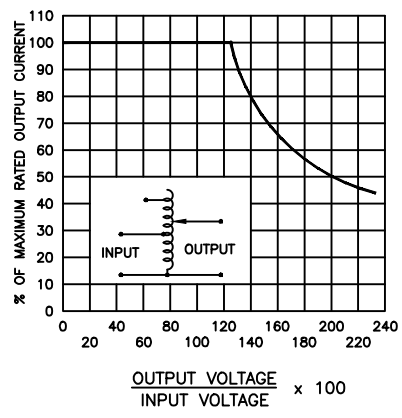
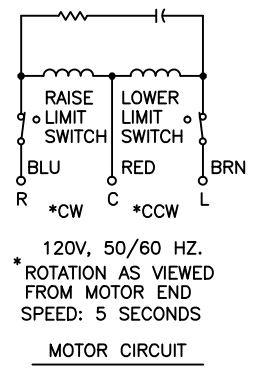
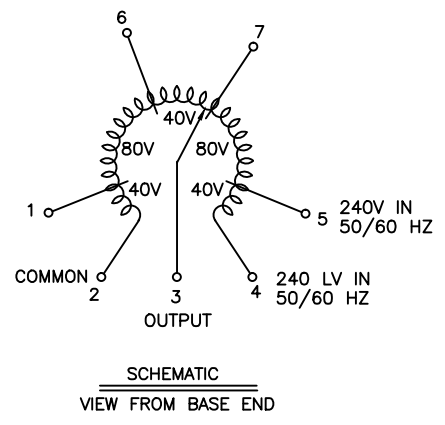
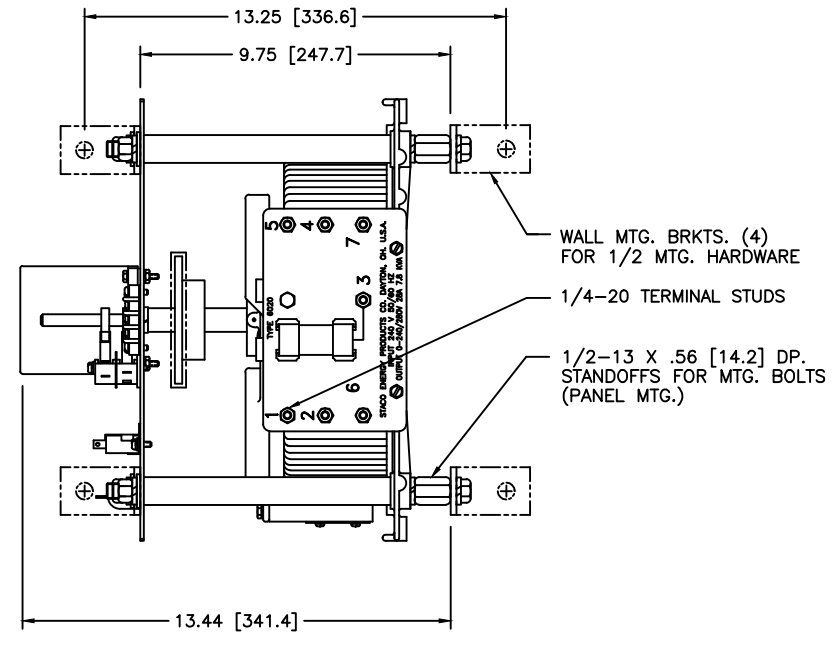
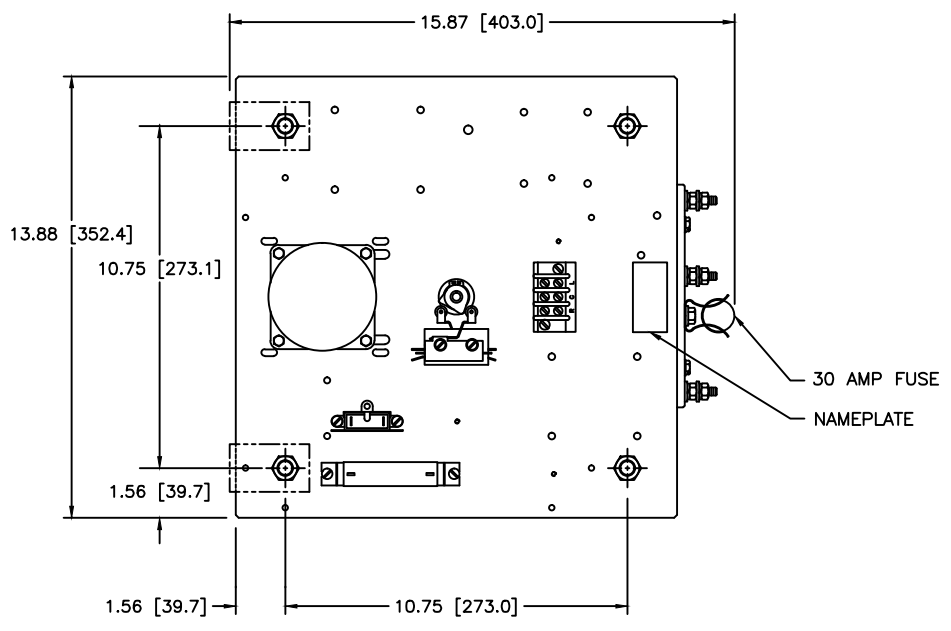


FIGURE A
MAXIMUM OUTPUT CURRENT OF ANY DUAL INPUT VOLTAGE OR VOLTAGE DOUBLER UNIT OPERATED AT LOWER INPUT VOLTAGE.

MAXIMUM OUTPUT CURRENT IN OUTPUT VOLTAGE RANGE FROM 0 TO 25 PERCENT ABOVE LINE VOLTAGE. AT HIGHER OUTPUT VOLTAGES, OUTPUT CURRENT MUST BE REDUCED ACCORDING TO RATING CURVE (SEE FIGURE A).

‡ MAXIMUM KVA AT MAXIMUM OUTPUT AND CORRESPONDING DE-RATED CURRENT. MAXIMUM KVA AT LOWER OUTPUT VOLTAGES MAY BE CALCULATED FROM RATING CURVE, (SEE FIGURE A).

SPECIFICATIONS									
WIRING	INPUT		OUTPUT			SHAFT ROTATION FOR INCREASE VOLTAGE	TERMINAL CONNECTIONS FOR INCREASING VOLTAGE AS VIEWED FROM ROTOR END		
	VOLTS	HERTZ	VOLTS	MAX. AMPS	MAX. KVA		INPUT	OUTPUT	
SINGLE PHASE	240	50/60	0-240	28	6.7	CW	2-4	2-3	
			0-280	28	7.8	CCW	4-2	4-3	
	120	50/60	0-280	28-12#	3.4 ‡	CW	2-5	2-3	
			0-280	28-12#	3.4 ‡	CCW	4-1	4-3	

UNLESS OTHERWISE SPECIFIED, TOLERANCES IN DIMENSIONS ARE: FRACTIONS DECIMALS ANGLES ±.0012 ±.002 ±.0015 ±.0025

DATE: 2/12/97

DESIGNER: F. SEALE

CHECKER: DATE

SCALE: 5=1

DATE: 2/12/97

REVISION APPROVAL: DATE

CODE IDENT. NO.: 80208

DATE: 2/12/97

SCALE: 5=1

SHEET 1 of 1

DAYTON, OHIO U.S.A.

DAYTON, OHIO U.S.A.

DATE: 2/12/97

REV. D

DRAW. NO. 031-7584