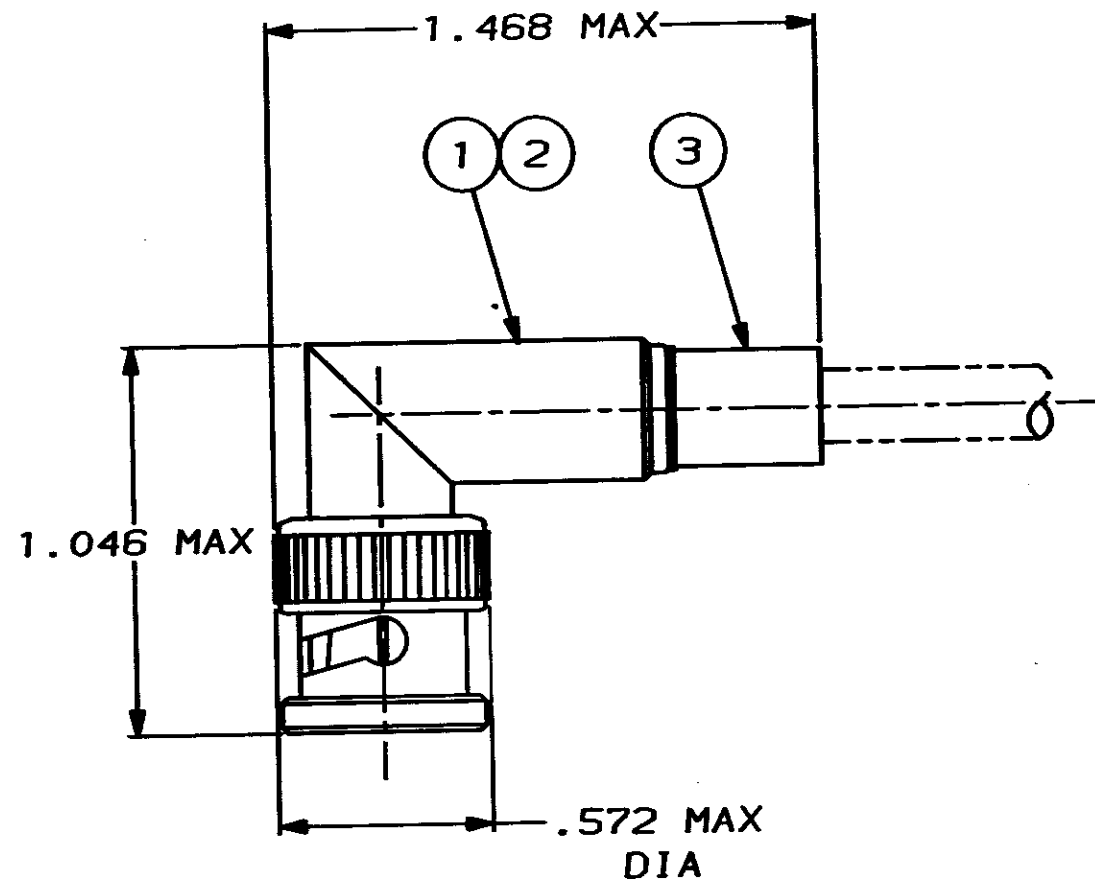


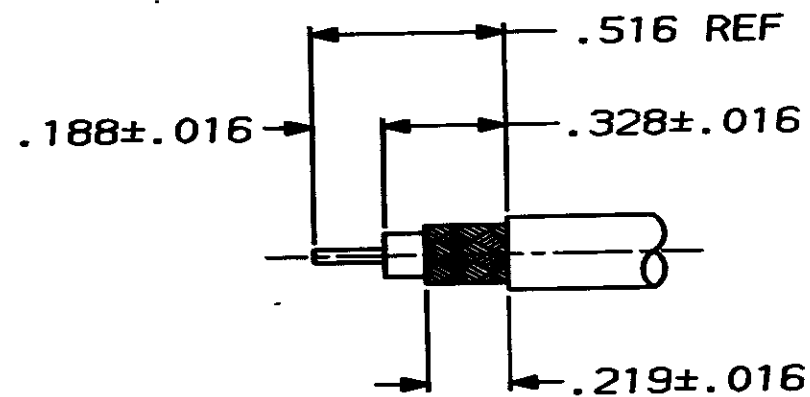
DRAWING MADE IN THIRD ANGLE PROJECTION

THIS DRAWING IS UNPUBLISHED. RELEASED FOR PUBLICATION
 © COPYRIGHT 19 BY AMP INCORPORATED, HARRISBURG, PA. ALL INTERNATIONAL RIGHTS RESERVED. AMP PRODUCTS MAY BE COVERED BY U.S. AND FOREIGN PATENTS AND/OR PATENTS PENDING.

MOD	LOC	DIST	P	F	ZONE	LTR	DESCRIPTION	DATE	APPROVED
2	AJ	16				D1	REDWN W/O CHG ON CAD	5/31/88	REL



1. FOR USE WITH: RG-142/U, 142A/U & 142B/U CABLE
2. USE HAND TOOL: 69478-1
3. SEE I.S. 1914-5



RECOMMENDED STRIP LENGTH

QTY	PART NO	DESCRIPTION	ITEM NO
1	225382-2	FERRULE	3
1	1-331369-2	CONTACT	2
1	225975-1	PLUG ASSY	1

UNLESS OTHERWISE SPECIFIED DIMENSIONS ARE IN INCHES TOLERANCES ON:
 2 PL DEC ± _____
 3 PL DEC ± _____
 ANGLES ± _____

MATERIAL _____

FINISH _____

WEIGHT _____

DR. W. ULRICH 9/14/82
 CHK. T. SMITH 9/15/82
 APPD. DON SMITH 9/21/82
 APPD. W. ULRICH 9/21/82
 PRODUCT SPEC 108-12020
 APPLICATION SPEC _____
 WEIGHT _____

AMP | AMP INCORPORATED
 Harrisburg, Pa. 17105

NAME: **PLUG, RIGHT ANGLE DUAL CRIMP, BNC**

SIZE: **B** | FSCM NO: 00779 | DRAWING NO: 225973-4

SCALE: 2:1 | SHEET: 1 OF 1