

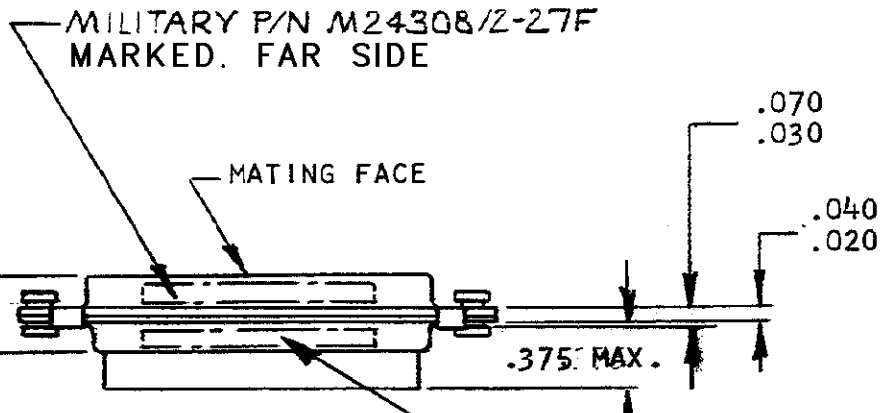
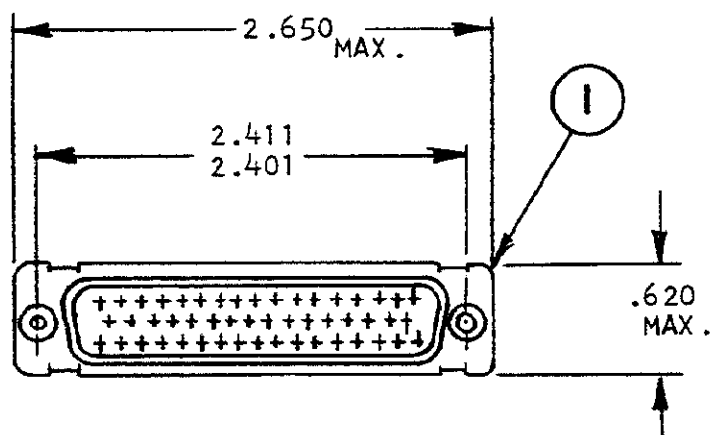
DRAWING MADE IN AMERICAN PROJECTION

© 1971 BY AMP INCORPORATED. ALL RIGHTS RESERVED. AMP PRODUCTS COVERED BY PATENTS AND/OR PATENTS PENDING.

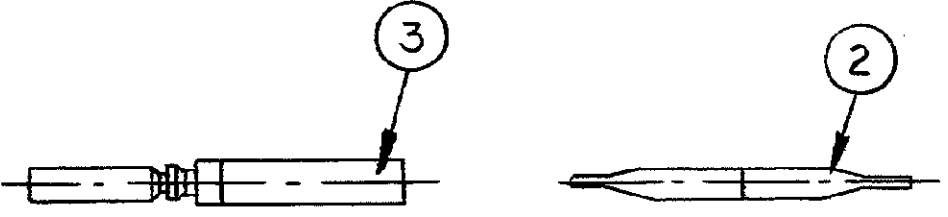
REVISIONS				
ZONE	LTR	DESCRIPTION	DATE	APPROVED
	B	REDRAWN PER ECN C-320	4/13/73	[Signature]
	C	REV PER ECN C-878	3/19/74	[Signature]
	D	REV PER ECN D-019	5/15/78	[Signature]
	E	REV PER ECN DF-0021 / DF-0160	1-12-88	[Signature]
	F	ECO-08-023688	PY 11-08	BW

⚠ APPROPRIATE P/N (KIT) IS MARKED ON PACKAGE

Unpublished copy not to be reproduced nor further disseminated without written permission of Amp Incorporated.



MFG'S NAME, BRAND OR LOGO
MFG'S PART NO AND DATE CODE
MARKED NEAR SIDE



SUPSD BY 205432-2 & 91067-2
 SUPSD BY 205420-1 & 91067-2

<input checked="" type="checkbox"/>				MILITARY P/N M24308/2-38F MARKED ON PACKAGE	
<input checked="" type="checkbox"/>				MILITARY P/N M24308/2-27F MARKED ON PACKAGE	
55	55	B	205090-1	CONTACT, SOCKET, SIZE 20	3
1		B	91067-2	INSERTION & EXTRACTION TOOL	2
1	1	B	205420-1	RECEPTACLE ASS'Y., SIZE #5	1
3	2		DWG SIZE	NUMBER	NAME
					ITEM NO.

UNLESS OTHERWISE SPECIFIED DIMENSIONS ARE IN INCHES. TOLERANCES ON: DECIMALS ± # ANGLES ± #		CONTRACT NO.		AMP INCORPORATED HARRISBURG, PENNSYLVANIA	
MATERIAL		DR. <i>L. Morington</i> 4/13/73		NAME	
		CHK <i>[Signature]</i> 4/17/73		KIT, "HDM" SERIES RECEPTACLE, SIZE #5	
		APPD <i>[Signature]</i> 4-23-73		SIZE B	
		REL <i>[Signature]</i> 4-16-73		CODE IDENT NO. 00779	
		DSGN APPD		NUMBER 205432	
		OTHER APPD		REV F	
		SCALE #		SHEET 1 OF 1	

PRINT DIST
 EDO
 LOC DF