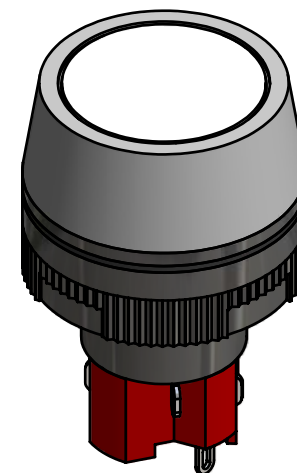
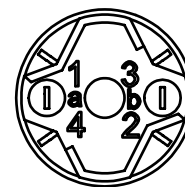
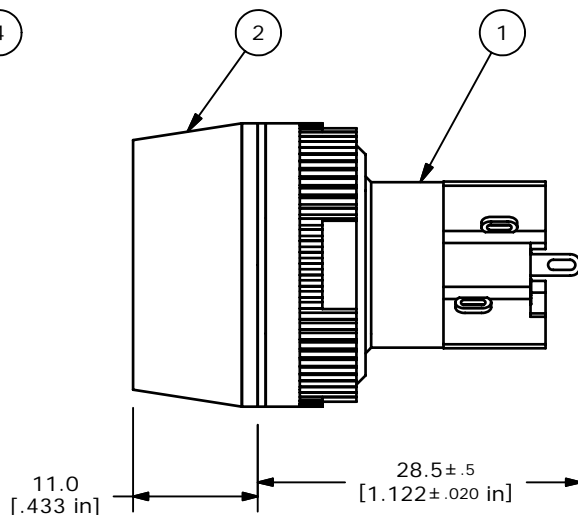
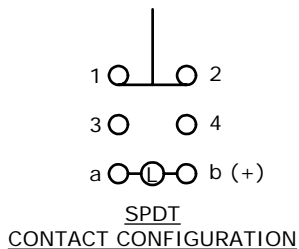
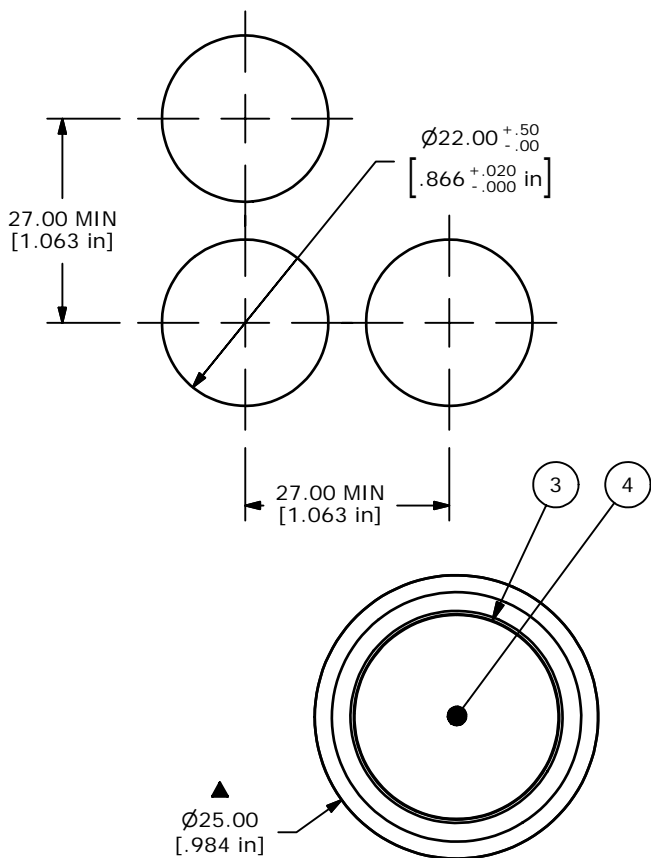


ITEM	QTY	PART NUMBER	DESCRIPTION
1	1	F060602	LASEEV11
2	1	F051702	25MM RING FOR LA SERIES
3	1	F060253	25MM WHITE LENS
4	1	F050418	50-004-18 6VDC LED YEL



ISOMETRIC

NOTE:

1. ALL DIMENSIONS IN MM [INCH]
2. GENERAL TOLERANCE: X.X=±0.4
X.XX=±0.25
3. TERMINAL NUMBERS FOR REF ONLY
4. RATING: 5 AMPS @ 250VAC UL, VDE APPROVED
6 AMPS @ 24VDC UL, VDE APPROVED
5. ELECTRIC LIFE: 50,000 MAKE-AND-BREAK CYCLES AT FULL LOAD.
6. INSULATION RESISTANCE: 1,000 MEGA-OHM MIN.
7. OPERATING TEMP.: -25°C to 55°C
- ▲ 8. LAMP VOLTAGE: 6VDC LED
9. ▲ DENOTES CRITICAL PARAMETER.

E-SWITCH®

REV	PCR NO	DESCRIPTION	DATE	BY
B	15544	CHANGED FROM DPDT TO SPDT	11/17/05	PH
A	15407	RELEASED FOR PRODUCTION	10/20/05	PH

TITLE LASEEV11HYELWHT				
SCALE	DATE	DR	DWG	REV
1.5:1	10/20/2005	PH	XF0651P	B

THE INFORMATION CONTAINED IN THIS DOCUMENT IS PROPRIETARY TO E-SWITCH AND IS NOT TO BE COPIED OR TRANSFERRED