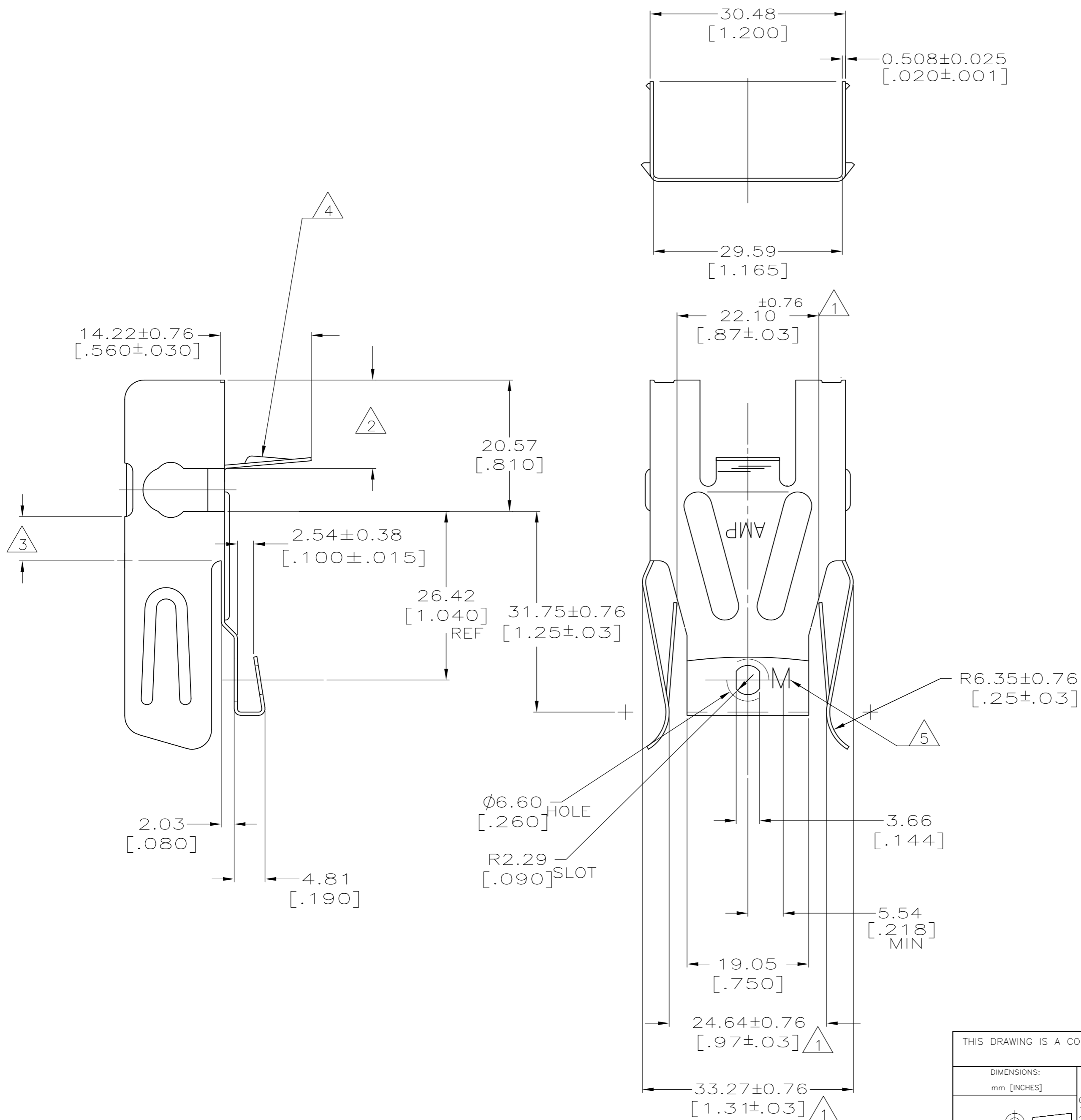


THIS DRAWING IS UNPUBLISHED. RELEASED FOR PUBLICATION
 © COPYRIGHT BY TYCO ELECTRONICS CORPORATION. ALL RIGHTS RESERVED.

LOC	DIST	REVISIONS					
		P	LTR	DESCRIPTION	DATE	DWN	APVD
AF	50	E2		REVISED PER ECR-13-000561	15JAN13	B.P	YH.M
		E3		REVISED PER ECR-15-017388	08DEC15	J.J	T.D



- 1 DIMENSIONS TO BE CHECKED WHEN SIDES ARE PARALLEL WITH 30.61 [1.205] DIMENSION.
- 2 29.59 [1.165] DIMENSION TO BE HELD IN THIS AREA.
- 3 30.48 [1.200] DIMENSION TO BE HELD IN THIS AREA.
- 4 FOR #10-32 MACHINE SCREW.
- 5 STAMP M 3.18 [.125] LOCATE APPROXIMATELY AS SHOWN.
- 6 SUPERSEDED BY 640750-1.

6 OBSOLETE 1217802-1
 PART NUMBER

THIS DRAWING IS A CONTROLLED DOCUMENT.		DWN B.P 20MAR2002	Tyco Electronics Corporation Harrisburg, PA 17105-3608	
DIMENSIONS: mm [INCHES]	TOLERANCES UNLESS OTHERWISE SPECIFIED:	CHK F.M 20MAR2002	NAME CLIP, CONNECTOR HEAVY DUTY BURNER	
	0 PLC ± -	APVD YH.M 20MAR2002	SIZE A2	CAGE CODE 00779
	1 PLC ± -	PRODUCT SPEC -	DRAWING NO C=1217802	RESTRICTED TO -
	2 PLC ± 0.25[.010]	APPLICATION SPEC 114-1028	WEIGHT -	SCALE 2:1
	3 PLC ± -		CUSTOMER DRAWING	SHEET 1 of 1
	4 PLC ± -			REV E3
	ANGLES ± -			
MATERIAL 1/4 HARD	FINISH -			