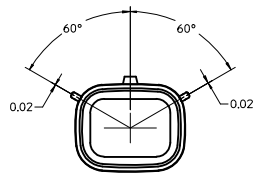


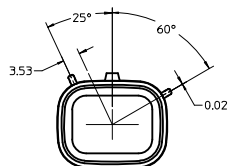
# CUSTOMER SHROUD DESIGN DETAILS

**NOTES:**

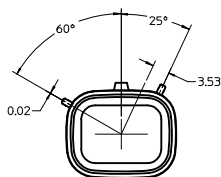
- REFER TO MOLEX SALES DRAWING SD-75900-001 FOR THE R/A HEADER ASSEMBLY PRODUCT DETAILS AND RECOMMENDED PCB LAYOUT.
- KEYING OPTIONS A-D AND SUGGESTED COLORS COMPLY TO THE POLARIZATION STANDARDS ESTABLISHED FOR MATING WITH A MX150 FEMALE CONNECTOR.
- INTERIOR SHROUD SURFACE MUST BE FREE OF DEFECTS AND PARTING LINES ALL AROUND TO ENSURE PROPER SEALING OF THE MATING MX150 FEMALE CONNECTOR.
- A FULL SHROUD ON THE MATING CONNECTOR IS REQUIRED TO INSURE THE HEADER SHROUD POLARIZATION FEATURES (OPTIONS A-D) WILL FUNCTION PROPERLY. THE FULL SHROUD ALSO PREVENTS SCOOP DAMAGE TO THE HEADER CONTACTS.
- PERMISSIBLE DRAFT ANGLE 0.25\014\048\015 MAXIMUM.
- RADII ON ALL CORNERS SHOWN SHARP OR ALL UNSPECIFIED RADII 0.25 EXCEPT AS NOTED.
- DIMENSIONS SHOWN ABOUT A CENTERLINE ARE SYMMETRICAL ABOUT THAT CENTERLINE WITHIN HALF THE SPECIFIED TOLERANCE.



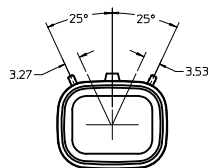
**KEYING OPTION "A"**  
SUGGESTED COLOR BLACK



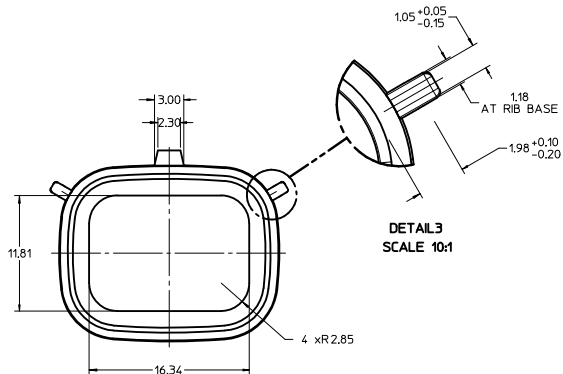
**KEYING OPTION "B"**  
SUGGESTED COLOR GREY



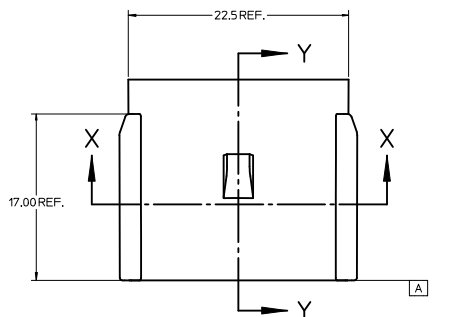
**KEYING OPTION "C"**  
SUGGESTED COLOR BROWN



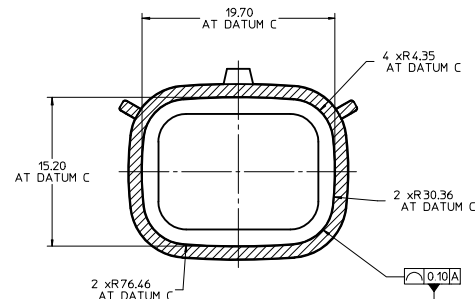
**KEYING OPTION "D"**  
SUGGESTED COLOR GREEN



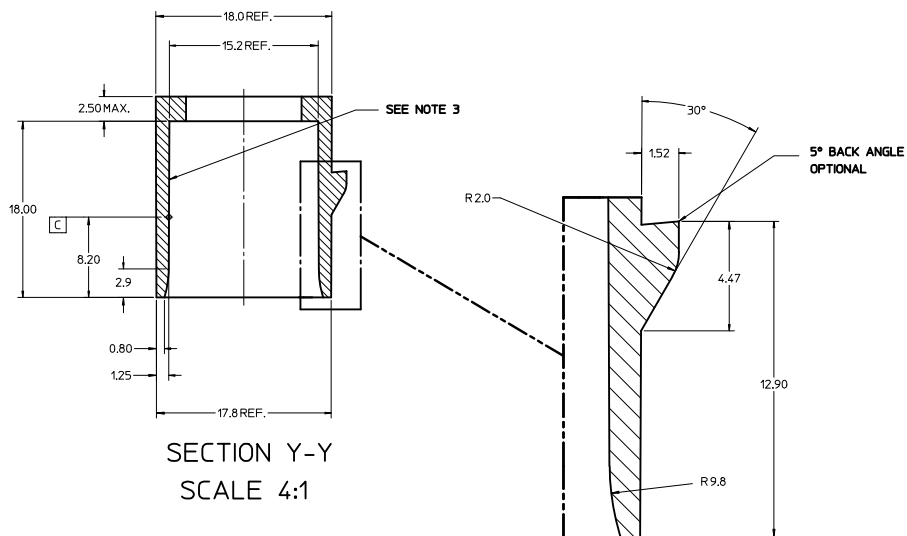
**DETAIL3**  
SCALE 10:1



**SECTION X-X**  
SCALE 4:1



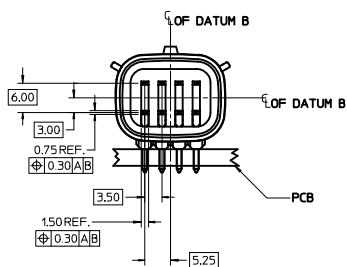
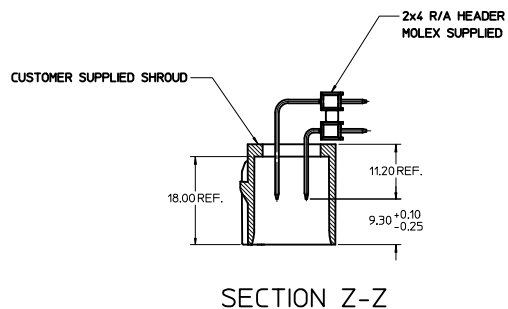
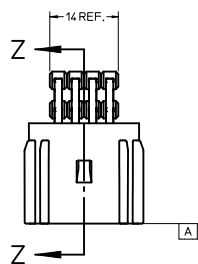
**SECTION Y-Y**  
SCALE 4:1



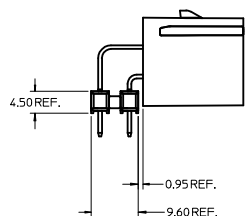
**DETAIL2**  
SCALE 10:1

**SECTION Y-Y**  
SCALE 4:1

<b>CHANGE CLASS</b> EC NO: UCP2012-0666 DRAWN BY: DRWN:DROSCA CHKD: APPR: JCOMERCI DATE: 2011/09/16	<b>QUALITY SYMBOLS</b> ▽=0 ▽=0	<b>GENERAL TOLERANCES (UNLESS SPECIFIED)</b>		<b>DIMENSION STYLE</b> MM ONLY	SCALE 2:1	DESIGN UNITS METRIC	THIRD ANGLE PROJECTION			
		4 PLACES ± --- ± ---	3 PLACES ± --- ± ---	2 PLACES ± 0.10 ± ---	1 PLACE ± 0.2 ± ---	DRAWN BY: DROSCA DATE: 04/26/07	CHECKED BY: JCOMERCI DATE: 04/26/07	APPROVED BY: JCOMERCI DATE: 04/26/07	TITLE APPLICATION SPEC 2X4 MX150 R/A HEADER SHROUD DETAILS	
		ANGULAR ±1/2°				MATERIAL NO. 75900-2040				DOCUMENT NO. AS-75900-204
		DRAFT WHERE APPLICABLE MUST REMAIN WITHIN DIMENSIONS				MOLEX INCORPORATED				SHEET NO. 1 OF 2

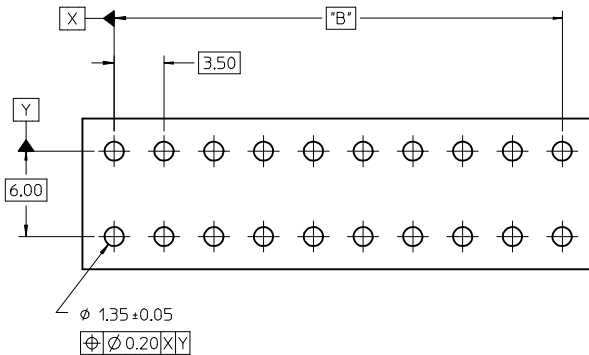
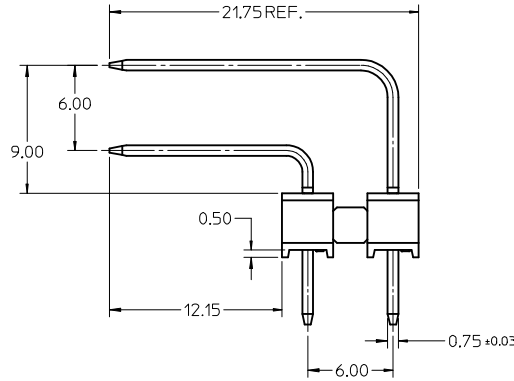
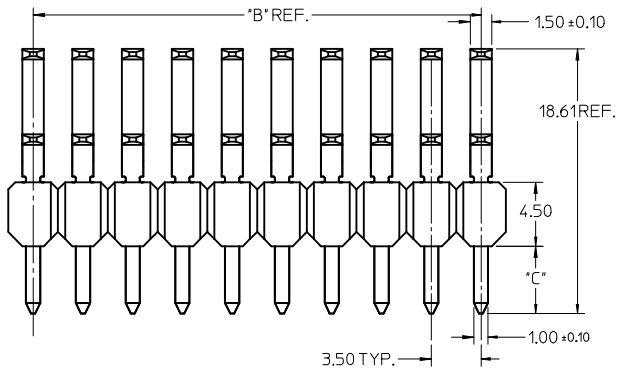
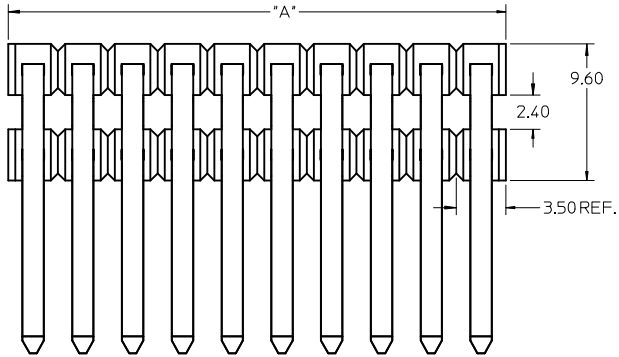


HEADER APPLICATION DETAILS



NOTES:  
 1. ADHERENCE TO THE HEADER APPLICATION DETAILS IS IMPERATIVE TO ENSURE PROPER SHROUD SEALING AND CONTACT ALIGNMENT WHEN MATED WITH A MX150 FEMALE CONNECTOR.

<b>ENTER DESCRIPTION</b> IEC NO. UCF2012-0866 DRAWN BY: DROS CHYD: APPR: JCOMERCI 2011/09/16	QUALITY SYMBOLS ▽=0 ▽=0	GENERAL TOLERANCES (UNLESS SPECIFIED)		DIMENSION STYLE <b>MM ONLY</b>	SCALE <b>2:1</b>	DESIGN UNITS <b>METRIC</b>	THIRD ANGLE PROJECTION	
		4 PLACES ±0.10 3 PLACES ±0.15 2 PLACES ±0.20 1 PLACE ±0.25	mm INCH	DRAWN BY DROS DATE 04/26/07	TITLE <b>APPLICATION SPEC                  2X4 MX150 R/A HEADER                  SHROUD DETAILS</b>			
		ANGULAR ±1/2°		CHECKED BY JCOMERCI DATE 04/26/07	APPROVED BY JCOMERCI DATE 04/26/07			
		DRAFT WHERE APPLICABLE MUST REMAIN WITHIN DIMENSIONS		MATERIAL NO. <b>75900-2040</b>	DOCUMENT NO. <b>AS-75900-204</b>			
SHEET NO. 2 OF 2		THIS DRAWING CONTAINS INFORMATION THAT IS PROPRIETARY TO MOLEX INCORPORATED AND SHOULD NOT BE USED WITHOUT WRITTEN PERMISSION						



RECOMMENDED PCB LAYOUT

NOTES:

1. TERMINAL MAT'L: ALLOY C26000, CARTRIDGE BRASS
2. WAFER MAT'L: 30% GLASS FILLED LCP, 94V-0, COLOR BLACK.
3. TERMINAL PLATING:
  - OPTION 4 - 1.54μm MIN MATTE TIN OVERALL OVER 1.254μm NICKEL OVERALL
  - OPTION 1 - 2.54μm MIN MATTE TIN OVERALL OVER 1.254μm NICKEL OVERALL
  - OPTION 2 - 1.254μm NICKEL OVERALL 2.54μm MIN SELECT MATTE TIN PC TAIL AREA 0.05-0.254μm SELECT GOLD CONTACT AREA
  - OPTION 3 - 1.254μm NICKEL OVERALL 2.54μm MIN SELECT MATTE TIN PC TAIL AREA 0.754μm SELECT GOLD CONTACT AREA
4. HEADER ASSEMBLIES ARE TUBE PACKAGED PER PK-36518-351.

CKT SIZE	PLATING OPTION	MATERIAL NUMBER	*A* DIM	*B* DIM	*C* DIM	MATERIAL NUMBER			*A* DIM	*B* DIM	*C* DIM
						75900-1122	75900-1222	75900-1322			
2 x 2	1	75900-1121	7.0	3.50 REF		75900-1122	75900-1222	75900-1322	7.0	3.50 REF	
	2	75900-1221				75900-1422					
	3	75900-1321									
	4	75900-1421									
2 x 3	1	75900-1131	10.5	7.00		75900-1132	75900-1232	75900-1332	10.5	7.00	
	2	75900-1231				75900-1432					
	3	75900-1331									
	4	75900-1431									
2 x 4	1	75900-1141	14.0	10.50		75900-1142	75900-1242	75900-1342	14.0	10.50	
	2	75900-1241				75900-1442					
	3	75900-1341									
	4	75900-1441									
2 x 5	1	75900-1151	17.5	14.00	3.05	75900-1152	75900-1252	75900-1352	17.5	14.00	4.75
	2	75900-1251				75900-1452					
	3	75900-1351									
	4	75900-1451									
2 x 6	1	75900-1161	21.0	17.50		75900-1162	75900-1262	75900-1362	21.0	17.50	
	2	75900-1261				75900-1462					
	3	75900-1361									
	4	75900-1461									
2 x 8	1	75900-1181	28.0	24.50		75900-1182	75900-1282	75900-1382	28.0	24.50	
	2	75900-1281				75900-1482					
	3	75900-1381									
	4	75900-1481									
2 x 10	1	75900-1101	35.0	31.50		75900-1102	75900-1202	75900-1302	35.0	31.50	
	2	75900-1201				75900-1402					
	3	75900-1301									
	4	75900-1401									

PK SPEC UPDATED EC NO: 12016-0115 DRWN: BR02 CHKD: APPR: XPRASAD 2016/05/16 2016/06/03	QUALITY SYMBOLS ∇=0 ∇=0 ∇=0	GENERAL TOLERANCES (UNLESS SPECIFIED)		DIMENSION STYLE MM ONLY		SCALE 4:1	DESIGN UNITS METRIC	THIRD ANGLE PROJECTION			
		4 PLACES ± --- ± ---		DRAWN BY TMCLELL	DATE 1/25/06	TITLE MX150 RIGHT ANGLE DUAL ROW UNSHROUDED HEADER ASSEMBLY					
		3 PLACES ± --- ± ---		CHECKED BY TMCLELL		DATE 1/25/06	molex				
		2 PLACES ± 0.13 ± ---		APPROVED BY BANAKIS		DATE 1/25/06	MATERIAL NO. SEE CHART		DOCUMENT NO. SD-75900-001	SHEET NO. 1 OF 1	
1 PLACE ± 0.25 ± ---		ANGULAR ± 1/2°		DRAFT WHERE APPLICABLE MUST REMAIN WITHIN DIMENSIONS		THIS DRAWING CONTAINS INFORMATION THAT IS PROPRIETARY TO MOLEX INCORPORATED AND SHOULD NOT BE USED WITHOUT WRITTEN PERMISSION					
0 PLACE ± ±											