



# AK4490EN

## Premium 32-Bit 2ch DAC

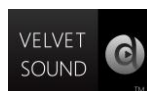
### 1. General Description

The AK4490EN is a new generation Premium 32-bit 2ch DAC with new technologies, achieving industry's leading level low distortion characteristics and wide dynamic range. The AK4490EN integrates a newly developed switched capacitor filter "OSR Doubler", making it capable of supporting wide range signals and achieving low out-of-band noise while realizing low power consumption. Moreover, the AK4490EN has five types of 32-bit digital filters, realizing simple and flexible sound tuning in wide range of applications. The AK4490EN accepts up to 768kHz PCM data and 11.2MHz DSD data, ideal for a high-resolution audio source playback that are becoming widespread in network audios and USB-DACs.

Application: AV Receivers, CD/SACD player, Network Audios, USB DACs, USB Headphones, Sound Plates/Bars, Measurement Equipment, Control Systems, Public Audios (PA), Smart Cellular Phones, IC-Recorders, Bluetooth Headphones, HD Audio/Voice Conference Systems

### 2. Features

- 256x Over sampling
- Sampling Rate: 30kHz ~ 768kHz
- 32-bit 8x Digital Filter
  - Ripple:  $\pm 0.005\text{dB}$ , Attenuation: 100dB
  - Short Delay Sharp Roll-off,  $\text{GD}=6.25/\text{fs}$
  - Short Delay Slow Roll-off,  $\text{GD}=5.3/\text{fs}$
  - Sharp Roll-off
  - Slow Roll-off
  - Super Slow Roll-off
- High Tolerance to Clock Jitter
- Low Distortion Differential Output
- 2.8MHz, 5.6MHz and 11.2MHz DSD Input Support
  - Filter ( $f_c=50\text{kHz}$ ,  $f_c=150\text{kHz}$ , 2.8MHz mode)
- Digital De-emphasis for 32, 44.1, 48kHz sampling
- Soft Mute
- Digital Attenuator (255 levels and 0.5dB step + Mute)
- Mono Mode
- External Digital Filter Mode
- THD+N: -112dB
- DR, S/N: 120dB (Mono mode: 123dB)
- I/F Format: 24/32bit MSB justified, 16/20/24/32bit LSB justified,  $I^2S$ , DSD
- Master Clock:
  - 30kHz ~ 32kHz: 256fs, 384fs, 512fs, 768fs, 1024fs or 1152fs
  - 30kHz ~ 54kHz: 256fs, 384fs, 512fs or 768fs
  - 30kHz ~ 96kHz: 256fs, 384fs or 512fs
  - 30kHz ~ 108kHz: 256fs or 384fs
  - 108kHz ~ 192kHz: 128fs, 192fs or 256fs
  - 108kHz ~ 216kHz: 128fs or 192fs
  - 384kHz: 32fs, 48fs, 64fs or 96fs
  - 768kHz: 16fs, 32fs, 48fs or 64fs
- Power Supply:  $\text{DVDD}=\text{AVDD}=3.0 \sim 3.6\text{V}$ ,  $\text{TVDD}=1.6\text{V} \sim \text{DVDD}$ ,  
 $\text{VDDL/R}=\text{VREFHL/VREFHR}=4.75 \sim 5.25\text{V}$
- Digital Input Level: CMOS
- Package: 48-pin QFN

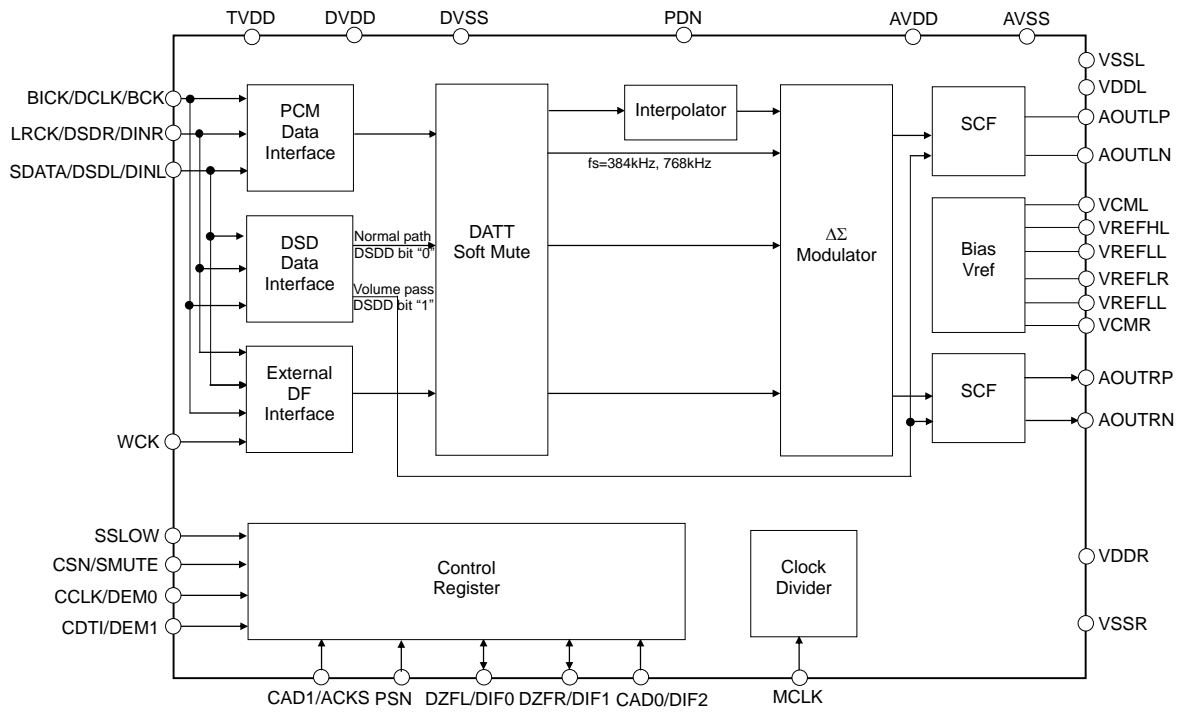


<b>3. Table of Contents</b>
-----------------------------

1.	General Description .....	1
2.	Features .....	1
3.	Table of Contents .....	2
4.	Block Diagram .....	4
5.	Pin Configurations and Functions .....	5
	■ Pin Layout .....	5
	■ Pin Functions .....	6
	■ Handling of Unused Pin .....	8
6.	Absolute Maximum Ratings .....	9
7.	Recommended Operating Conditions .....	9
8.	Electrical Characteristics .....	10
	■ Analog Characteristics .....	10
	■ Sharp Roll-Off Filter Characteristics (fs=44.1kHz) .....	11
	■ Sharp Roll-Off Filter Characteristics (fs=96kHz) .....	11
	■ Sharp Roll-Off Filter Characteristics (fs=192kHz) .....	11
	■ Short Delay Sharp Roll-Off Filter Characteristics (fs=44.1kHz) .....	13
	■ Short Delay Sharp Roll-Off Filter Characteristics (fs=96kHz) .....	13
	■ Short Delay Sharp Roll-Off Filter Characteristics (fs=192kHz) .....	13
	■ Slow Roll-Off Filter Characteristics (fs=44.1kHz) .....	15
	■ Slow Roll-Off Filter Characteristics (fs=96kHz) .....	15
	■ Slow Roll-Off Filter Characteristics (fs=192kHz) .....	15
	■ Short Delay Slow Roll-Off Filter Characteristics (fs=44.1kHz) .....	17
	■ Short Delay Slow Roll-Off Filter Characteristics (fs=96kHz) .....	17
	■ Short Delay Slow Roll-Off Filter Characteristics (fs=192kHz) .....	17
	■ DSD Mode Characteristics .....	19
	■ DC Characteristics .....	19
	■ Switching Characteristics .....	20
	■ Timing Diagram .....	22
9.	Functional Descriptions .....	27
	■ D/A Conversion Mode .....	27
	■ System Clock .....	27
	■ Audio Interface Format .....	35
	■ D/A Conversion Mode Switching Timing .....	40
	■ De-emphasis Filter .....	41
	■ Output Volume (PCM, DSD) .....	41
	■ Zero Detection (PCM, DSD, EX DF I/F) .....	42
	■ Mono Output (PCM, DSD, EX DF I/F) .....	42
	■ Sound Quality Control (PCM, DSD, Ex DF I/F) .....	42
	■ Characteristics (DSD) .....	43
	■ Soft Mute Operation (PCM, DSD) .....	44
	■ System Reset .....	44
	■ Power ON/OFF timing .....	45
	■ Reset Function .....	46
	■ Synchronize Function .....	48
	■ Register Control Interface .....	50
	■ Register Map .....	55
	■ Register Definitions .....	55
10.	Recommended External Circuits .....	61
11.	Package .....	66
	■ Outline Dimensions .....	66

- Material & Lead finish..... 66
- Marking..... 67
- 12. Ordering Guide..... 67
  - Ordering Guide..... 67
- 13. Revision History..... 67
- IMPORTANT NOTICE..... 68

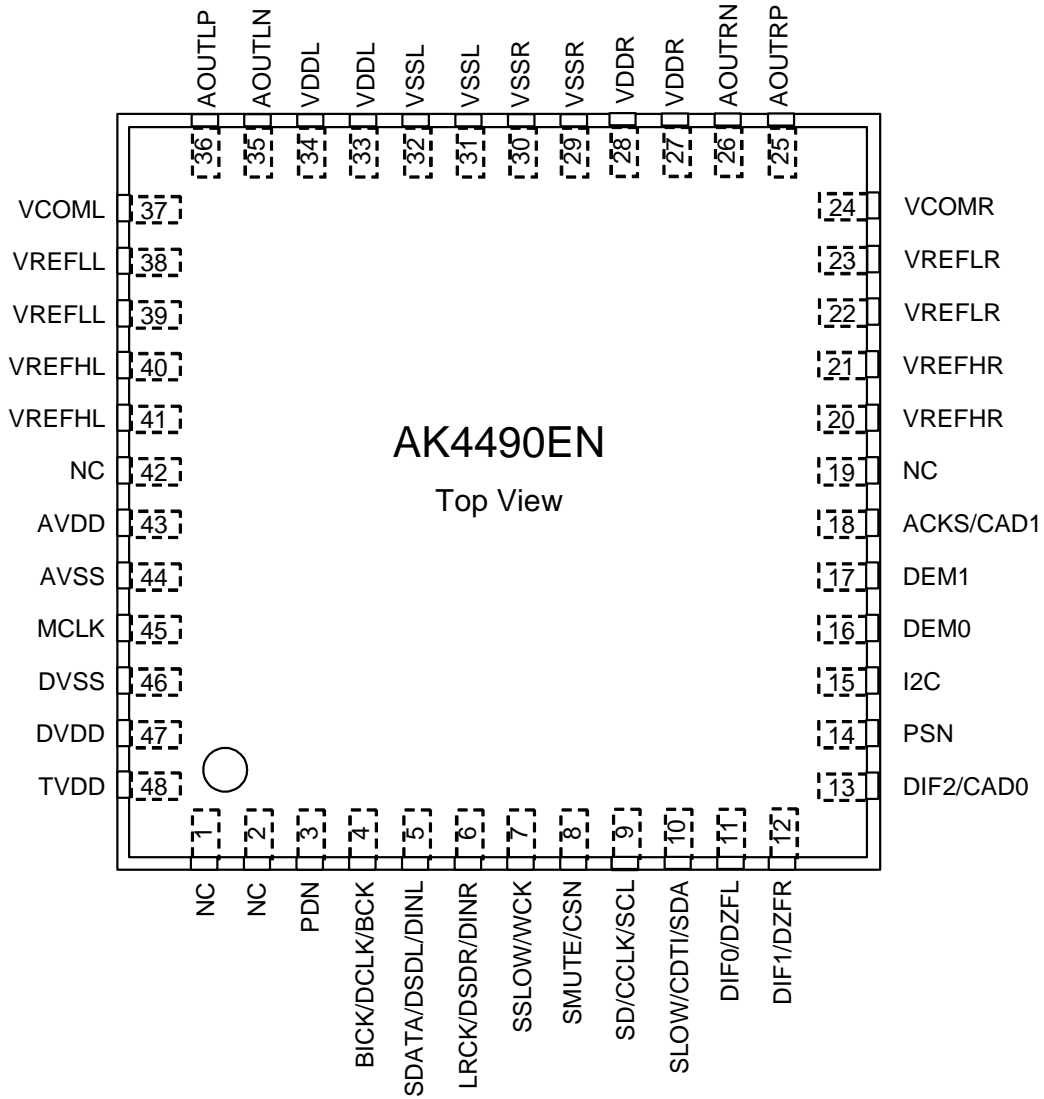
**4. Block Diagram**



Block Diagram

**5. Pin Configurations and Functions**

■ Pin Layout



## ■ Pin Functions

No.	Pin Name	I/O	Function
1	NC	-	No internal bonding. Connect to GND.
2	NC	-	No internal bonding. Connect to GND.
3	PDN	I	Power-Down Mode Pin When at "L", the AK4490EN is in power-down mode and is held in reset. The AK4490EN must always be reset upon power-up.
4	BICK	I	Audio Serial Data Clock Pin in PCM Mode
	DCLK	I	DSD Clock Pin in DSD Mode
	BCK	I	Audio Serial Data Clock Pin in External DF Mode
5	SDATA	I	Audio Serial Data Input Pin in PCM Mode
	DSDL	I	DSD Lch Data Input Pin in DSD Mode
	DINL	I	Lch Audio Serial Data Input Pin in External DF Mode
6	LRCK	I	L/R Clock Pin in PCM Mode
	DSDR	I	DSD Rch Data Input Pin in DSD Mode in Serial Control Mode
	DINR	I	Rch Audio Serial Data Input Pin in External DF Mode
7	SSLOW	I	Digital Filter Setting Pin in Parallel Control Mode (PSN="H")
	WCK	I	Word Clock input pin in External DF Mode (PSN="L")
8	SMUTE	I	Soft Mute Pin in Parallel Control Mode (PSN="H") When this pin is changed to "H", soft mute cycle is initiated. When returning "L", the output mute releases.
	CSN	I	Chip Select Pin in Serial Control Mode (PSN="L", I2C="L") When this pin is PSN="L", I2C="H", it should be connected to TVDD or DVSS.
9	SD	I	Digital Filter Setting Pin in Parallel Control Mode (PSN="H")
	CCLK	I	Control Data Clock Pin in Serial Control Mode (PSN="L", I2C="L")
	SCL	I	Control Data Clock Pin in Serial Control Mode (PSN="L", I2C="H")
10	SLOW	I	Digital Filter Setting Pin in Parallel Control Mode (PSN="H")
	CDTI	I	Control Data Input Pin in Serial Control Mode (PSN="L", I2C="L")
	SDA	I/O	Control Data Input Pin in Serial Control Mode (PSN="L", I2C="H")
11	DIF0	I	Digital Input Format 0 Pin in PCM Mode (PSN="H")
	DZFL	O	Lch Zero Input Detect Pin in Serial Control Mode (PSN="L")
12	DIF1	I	Digital Input Format 1 Pin in PCM Mode (PSN="H")
	DZFR	O	Rch Zero Input Detect Pin in Serial Control Mode (PSN="L")
13	DIF2	I	Digital Input Format 2 Pin in PCM Mode (PSN="H")
	CAD0	I	Chip Address 0 Pin in Serial Control Mode (PSN="L")
14	PSN	I	Parallel or Serial Select Pin (Internal pull-up pin) "L": Serial Control Mode, "H": Parallel Control Mode
15	I2C	I	I2C mode select pin in Serial mode (Internal pull-down pin) "L": 3 Wire Serial Mode, "H": I2C-Bus Mode
16	DEM0	I	De-emphasis Enable 0 Pin in Parallel Control Mode (PSN="H") (Internal pull-up pin)

Note 1. All input pins except internal pull-up/down pins must not be left floating.

17	DEM1	I	De-emphasis Enable 1 Pin in Parallel Control Mode (PSN="H") (Internal pull-down pin)
18	ACKS	I	Master Clock Auto Setting Mode Pin in Parallel Mode (PSN="H") "L": Manual Setting Mode, "H": Auto Setting Mode (Internal pull-down pin)
	CAD1	I	Chip Address 1 Pin in Serial Control Mode (PSN="L") (Internal pull-down pin)
19	NC	-	No internal bonding. Connect to GND.
20	VREFHR	I	Rch High Level Voltage Reference Input Pin
21	VREFHR	I	Rch High Level Voltage Reference Input Pin
22	VREFLR	I	Rch Low Level Voltage Reference Input Pin
23	VREFLR	I	Rch Low Level Voltage Reference Input Pin
24	VCOMR	-	Right channel Common Voltage Pin, Normally connected to VSS with a 10 $\mu$ F electrolytic cap.
25	AOUTRP	O	Rch Positive Analog Output Pin
26	AOUTRN	O	Rch Negative Analog Output Pin
27	VDDR	-	Rch Analog Power Supply Pin, 4.75 ~ 5.25V
28	VDDR	-	Rch Analog Power Supply Pin, 4.75 ~ 5.25V
29	VSSR	-	Ground Pin
30	VSSR	-	Ground Pin
31	VSSL	-	Ground Pin
32	VSSL	-	Ground Pin
33	VDDL	-	Lch Analog Power Supply Pin, 4.75 ~ 5.25V
34	VDDL	-	Lch Analog Power Supply Pin, 4.75 ~ 5.25V
35	AOUTLN	O	Lch Negative Analog Output Pin
36	AOUTLP	O	Lch Positive Analog Output Pin
37	VCOML	-	Left channel Common Voltage Pin, Normally connected to VSS with a 10 $\mu$ F electrolytic cap.
38	VREFLL	I	Lch Low Level Voltage Reference Input Pin
39	VREFLL	I	Lch Low Level Voltage Reference Input Pin
40	VREFHL	I	Lch High Level Voltage Reference Input Pin
41	VREFHL	I	Lch High Level Voltage Reference Input Pin
42	NC	-	No internal bonding. Connect to GND.
43	AVDD	-	Analog Power Supply Pin, 3.0 ~ 3.6V
44	AVSS	-	Ground Pin
45	MCLK	I	Master Clock Input Pin
46	DVSS	-	Ground Pin
47	DVDD	-	Digital Power Supply Pin, 3.0 ~ 3.6V
48	TVDD	I	Input Buffer Power Supply Pin, 1.6V ~ DVDD
	Exposed Pad	-	The exposed pad on the bottom surface of the package must be connected to the ground.

Note 1. All input pins except internal pull-up/down pins must not be left floating.

## ■ Handling of Unused Pin

The unused I/O pins should be processed appropriately as below.

### (1) Parallel Mode (PCM Mode only)

Classification	Pin Name	Setting
Analog	AOUTLP, AOUTLN	These pins must be open.
	AOUTRP, AOUTRN	These pins must be open.
Digital	I2C	This pin must be connected to DVSS or open.

### (2) Serial Mode

#### 1. PCM Mode

Classification	Pin Name	Setting
Analog	AOUTLP, AOUTLN	These pins must be open.
	AOUTRP, AOUTRN	These pins must be open.
Digital	DEM1	This pin must be connected to DVSS or open.
	DEM0	This pin must be connected to TVDD or open.
	SMUTE/CSN	This pin must be connected to TVDD or DVSS, when this pin is I2C="H".
	DZFL, DZFR	These pins must be open.

#### 2. DSD Mode

Classification	Pin Name	Setting
Analog	AOUTLP, AOUTLN	These pins must be open.
	AOUTRP, AOUTRN	These pins must be open.
Digital	DEM1	This pin must be connected to DVSS or open.
	DEM0	This pin must be connected to TVDD or open.
	SMUTE/CSN	This pin must be connected to TVDD or DVSS, when this pin is I2C="H".
	DZFL, DZFR	These pins must be open.

#### 3. EXDF Mode

Classification	Pin Name	Setting
Analog	AOUTLP, AOUTLN	These pins must be open.
	AOUTRP, AOUTRN	These pins must be open.
Digital	DEM1	This pin must be connected to DVSS or open.
	DEM0	This pin must be connected to TVDD or open.
	SMUTE/CSN	This pin must be connected to TVDD or DVSS, when this pin is I2C="H".
	DZFL, DZFR	These pins must be open.

#### pull-up pin List

pull-up pin	14, 16
-------------	--------

#### pull-down pin List

pull-down pin	15, 17, 18
---------------	------------



## 6. Absolute Maximum Ratings

(AVSS=DVSS=VSSL=VSSR=VREFLL=VREFLR=0V; [Note 2](#))

Parameter		Symbol	Min.	Max.	Unit
Power Supplies:	Analog	AVDD	-0.3	4.6	V
	Analog	VDDL/R	-0.3	6.0	V
	Digital	DVDD	-0.3	4.6	V
	Input Buffer	TVDD	-0.3	4.6	V
	AVSS – DVSS  ( <a href="#">Note 3</a> )	ΔGND	-	0.3	V
Input Current, Any Pin Except Supplies		IIN	-	±10	mA
Digital Input Voltage		VIND	-0.3	DVDD+0.3	V
Ambient Temperature (Power applied)		Ta	-40	85	°C
Storage Temperature		Tstg	-65	150	°C

Note 2. All voltages with respect to ground.

Note 3. AVSS, DVSS, VSSL and VSSR must be connected to the same analog ground plane.

Note 4. Connect at least 0.1μF or more decoupling capacitors between VDDL/VDDR and VSSL/VSSR to suppress affections by a static electricity noise or an over voltage (includes over shooting) that exceeds absolute maximum ratings.

WARNING: Operation at or beyond these limits may result in permanent damage to the device.  
Normal operation is not guaranteed at these extremes.

## 7. Recommended Operating Conditions

(AVSS=DVSS=VSSL=VSSR=VREFLL=VREFLR=0V; [Note 2](#))

Parameter		Symbol	Min.	Typ.	Max.	Unit
Power Supplies ( <a href="#">Note 5</a> )	Analog	AVDD	3.0	3.3	3.6	V
	Analog	VDDL/R	4.75	5.0	5.25	V
	Digital	DVDD	3.0	3.3	3.6	V
	Input Buffer	TVDD	1.6	1.8	DVDD	V
Voltage Reference ( <a href="#">Note 6</a> )	“H” voltage reference	VREFHL/R	VDDL/R-0.5	-	VDDL/R	V
	“L” voltage reference	VREFLL/R		VSSL/R	-	V

Note 2. All voltages with respect to ground.

Note 5. Each power-up/down sequence is shown below.

<Power-Up>

1. PDN pin = “L”
  2. TVDD (1.8V) power-up
  3. AVDD, DVDD (3V) power-up
  4. VREFHL/R and VDDL/R (5V) power-up
  5. The PDN pin is allowed to be “H” after all power supplies are applied and settled.
- otherwise power up the 1.8V power supply, the 3.3V power supplies and the 5V power supplies at the same time.

<Power-down>

1. PDN pin = “L”
2. VREFHL/R and VDDL/R (5V) power-down
3. AVDD, DVDD (3V) power-down
4. TVDD (1.8V) power-down

Note 6. The analog output voltage scales with the voltage of (VREFH – VREFL).

$$AOUT \text{ (typ. @0dB)} = (AOUT+) - (AOUT-) = \pm 2.8V_{pp} \times (VREFHL/R - VREFLL/R)/5.$$

\* AKM assumes no responsibility for the usage beyond the conditions in this data sheet.

## 8. Electrical Characteristics

### ■ Analog Characteristics

( $T_a=25^{\circ}\text{C}$ ;  $AVDD=DVDD=3.3\text{V}$ ;  $TVDD=1.8\text{V}$ ;  $AVSS=DVSS=VSSL/R=0\text{V}$ ;  $VREFHL/R=VDDL/R=5\text{V}$ ,  $VREFLL/R=VSSL/R=0\text{V}$ ; Input data = 24bit;  $R_L \geq 1\text{k}\Omega$ ; BICK=64fs; Signal Frequency = 1kHz; Sampling Frequency = 44.1kHz; Measurement bandwidth = 20Hz ~ 20kHz; External Circuit: [Figure 41](#); unless otherwise specified.)

Parameter	Min.	Typ.	Max.	Unit		
Resolution	-	-	32	Bits		
<b>Dynamic Characteristics</b> (Note 7)						
THD+N	fs=44.1kHz	0dBFS	-	-112	-105	dB
	BW=20kHz	-60dBFS	-	-57	-49	dB
	fs=96kHz	0dBFS	-	-109	-100	dB
	BW=40kHz	-60dBFS	-	-54	-44	dB
	fs=192kHz	0dBFS	-	-106	-100	dB
	BW=40kHz	-60dBFS	-	-54	-44	dB
	BW=80kHz	-60dBFS	-	-51	-41	dB
Dynamic Range (-60dBFS with A-weighted)	(Note 8)	115	120	-	dB	
S/N (A-weighted)	(Note 9)	115	120	-	dB	
S/N (Mono mode, A-weighted)		118	123	-	dB	
Interchannel Isolation (1kHz)		110	120	-	dB	
<b>DC Accuracy</b>						
Interchannel Gain Mismatch		-	0.15	0.3	dB	
Gain Drift	(Note 10)	-	-	20	ppm/ $^{\circ}\text{C}$	
Output Voltage	(Note 11)	$\pm 2.65$	$\pm 2.8$	$\pm 2.95$	Vpp	
Load Capacitance		-	-	25	pF	
Load Resistance	(Note 12)	1	-	-	k $\Omega$	
<b>Power Supplies</b>						
Power Supply Current						
Normal operation (PDN pin = "H")	VDDL/R		22	32	mA	
	AVDD		0.6	1.2	mA	
	TVDD	-	0.5	1	mA	
	DVDD (fs= 44.1kHz)	-	10	14	mA	
	DVDD (fs= 96kHz)	-	15	20	mA	
	DVDD (fs = 192kHz)	-	17	23	mA	
	Power down (PDN pin = "L") (Note 13)	AVDD+VDDL/R+DVDD+TVDD	-	0	10	$\mu\text{A}$

Note 7. Measured by Audio Precision, System Two. Averaging mode. Refer to the evaluation board manual.

Note 8. [Figure 41](#) External LPF Circuit Example 2. 101dB for 16-bit data and 118dB for 20-bit data.

Note 9. [Figure 41](#) External LPF Circuit Example 2. S/N does not depend on input data size.

Note 10. The voltage on (VREFH - VREFL) is held +5V externally.

Note 11. Full-scale voltage(0dB). Output voltage scales with the voltage of (VREFHL/R - VREFLL/R).

$$AOUT(\text{typ. @0dB}) = (AOUT+) - (AOUT-) = \pm 2.8\text{Vpp} \times (VREFHL/R - VREFLL/R)/5.$$

Note 12. Regarding Load Resistance, AC load is 1k $\Omega$  (min) with a DC cut capacitor ([Figure 41](#)). DC load is 1.5k ohm (min) without a DC cut capacitor ([Figure 40](#)). The load resistance value is with respect to ground. Analog characteristics are sensitive to capacitive load that is connected to the output pin. Therefore the capacitive load must be minimized.

Note 13. In the power down mode. The PSN pin = DVDD, and all other digital input pins including clock pins (MCLK, BICK and LRCK) are held DVSS.

### ■ Sharp Roll-Off Filter Characteristics (fs=44.1kHz)

(Ta=25°C; AVDD=DVDD=3.0~3.6V, TVDD=1.6V ~ DVDD, VREFHL/R=VDDL/R=4.75 ~ 5.25V; Normal Speed Mode; DEM=OFF; SD bit="0" or SD pin = "L", SLOW bit="0" or SLOW pin = "L")

Parameter	Symbol	Min.	Typ.	Max.	Unit
<b>Digital Filter</b>					
Passband (Note 14)	±0.01dB -6.0dB	PB	0	22.05	20.0
			-		-
Stopband (Note 14)	SB	24.1			kHz
Passband Ripple	PR			±0.005	dB
Stopband Attenuation	SA	100			dB
Group Delay (Note 15)	GD	-	29.4	-	1/fs
<b>Digital Filter + SCF</b>					
Frequency Response: 0 ~ 20.0kHz		-	+0.1/-0.2	-	dB

### ■ Sharp Roll-Off Filter Characteristics (fs=96kHz)

Ta=25°C; AVDD=DVDD=3.0~3.6V, TVDD=1.6V ~ DVDD, VREFHL/R=VDDL/R=4.75 ~ 5.25V; Double Speed Mode; DEM=OFF; SD bit="0" or SD pin = "L", SLOW bit="0" or SLOW pin = "L")

Parameter	Symbol	Min.	Typ.	Max.	Unit
<b>Digital Filter</b>					
Passband (Note 14)	±0.01dB -6.0dB	PB	0	48.0	43.5
			-		-
Stopband (Note 14)	SB	52.5			kHz
Passband Ripple	PR			±0.005	dB
Stopband Attenuation	SA	100			dB
Group Delay (Note 15)	GD	-	28.8	-	1/fs
<b>Digital Filter + SCF</b>					
Frequency Response: 0 ~ 40.0kHz		-	+0.1/-0.6	-	dB

### ■ Sharp Roll-Off Filter Characteristics (fs=192kHz)

(Ta=25°C; AVDD=DVDD=3.0~3.6V, TVDD=1.6V ~ DVDD, VREFHL/R=VDDL/R=4.75 ~ 5.25V; Quad Speed Mode; DEM=OFF; SD bit="0" or SD pin = "L", SLOW bit="0" or SLOW pin = "L")

Parameter	Symbol	Min.	Typ.	Max.	Unit
<b>Digital Filter</b>					
Passband (Note 14)	±0.01dB -6.0dB	PB	0	96.0	87.0
			-		-
Stopband (Note 14)	SB	105			kHz
Passband Ripple	PR			±0.005	dB
Stopband Attenuation	SA	92			dB
Group Delay (Note 15)	GD	-	28.8	-	1/fs
<b>Digital Filter + SCF</b>					
Frequency Response: 0 ~ 80.0kHz		-	+0.1/-0.2	-	dB

Note 14. The passband and stopband frequencies scale with fs. For example, PB=0.4535×fs (@±0.01dB), SB=0.546×fs.

Note 15. The calculating delay time which occurred by digital filtering. This time is from setting the 16/20/24/32 bit data of both channels to the output of analog signal.

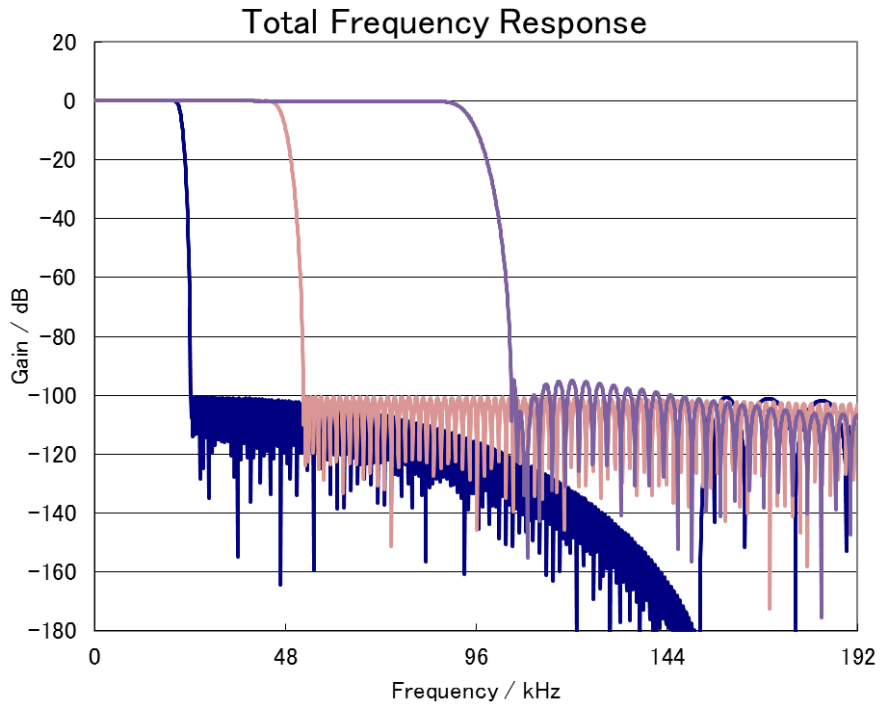


Figure 1. Sharp Roll-off Filter Frequency Response

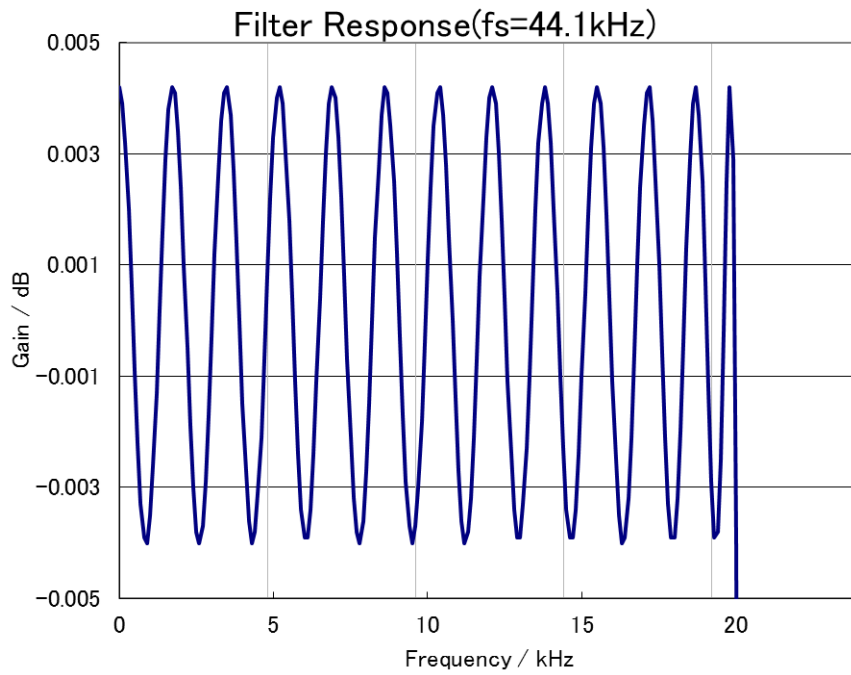


Figure 2. Sharp Roll-off Filter Passband Ripple

### ■ Short Delay Sharp Roll-Off Filter Characteristics (fs=44.1kHz)

(Ta=25°C; AVDD=DVDD=3.0~3.6V, TVDD=1.6V ~ DVDD, VREFHL/R=VDDL/R=4.75 ~ 5.25V; Normal Speed Mode; DEM=OFF; SD bit="1" or SD pin = "H", SLOW bit="0" or SLOW pin = "L")

Parameter	Symbol	Min.	Typ.	Max.	Unit
<b>Digital Filter</b>					
Passband (Note 14)	±0.01dB -6.0dB	PB	0	20.0	kHz
			-	22.05	kHz
Stopband (Note 14)	SB	24.1			kHz
Passband Ripple	PR			±0.005	dB
Stopband Attenuation	SA	100			dB
Group Delay (Note 15)	GD	-	6.25	-	1/fs
<b>Digital Filter + SCF</b>					
Frequency Response : 0 ~ 20.0kHz		-	+0.1/-0.2	-	dB

### ■ Short Delay Sharp Roll-Off Filter Characteristics (fs=96kHz)

(Ta=25°C; AVDD=DVDD=3.0~3.6V, TVDD=1.6V ~ DVDD, VREFHL/R=VDDL/R=4.75 ~ 5.25V; Double Speed Mode; DEM=OFF; SD bit="1" or SD pin = "H", SLOW bit="0" or SLOW pin = "L")

Parameter	Symbol	Min.	Typ.	Max.	Unit
<b>Digital Filter</b>					
Passband (Note 14)	±0.01dB -6.0dB	PB	0	43.5	kHz
			-	48.0	kHz
Stopband (Note 14)	SB	52.5			kHz
Passband Ripple	PR			±0.005	dB
Stopband Attenuation	SA	100			dB
Group Delay (Note 15)	GD	-	5.63	-	1/fs
<b>Digital Filter + SCF</b>					
Frequency Response : 0 ~ 40.0kHz		-	+0.1/-0.6	-	dB

### ■ Short Delay Sharp Roll-Off Filter Characteristics (fs=192kHz)

(Ta=25°C; AVDD=DVDD=3.0~3.6V, TVDD=1.6V ~ DVDD, VREFHL/R=VDDL/R=4.75 ~ 5.25V; Quad Speed Mode; DEM=OFF; SD bit="1" or SD pin = "H", SLOW bit="0" or SLOW pin = "L")

Parameter	Symbol	Min.	Typ.	Max.	Unit
<b>Digital Filter</b>					
Passband (Note 14)	±0.01dB -6.0dB	PB	0	87.0	kHz
			-	96.0	kHz
Stopband (Note 14)	SB	105			kHz
Passband Ripple	PR			±0.005	dB
Stopband Attenuation	SA	92			dB
Group Delay (Note 15)	GD	-	5.63	-	1/fs
<b>Digital Filter + SCF</b>					
Frequency Response : 0 ~ 80.0kHz		-	+0.1/-2.0	-	dB

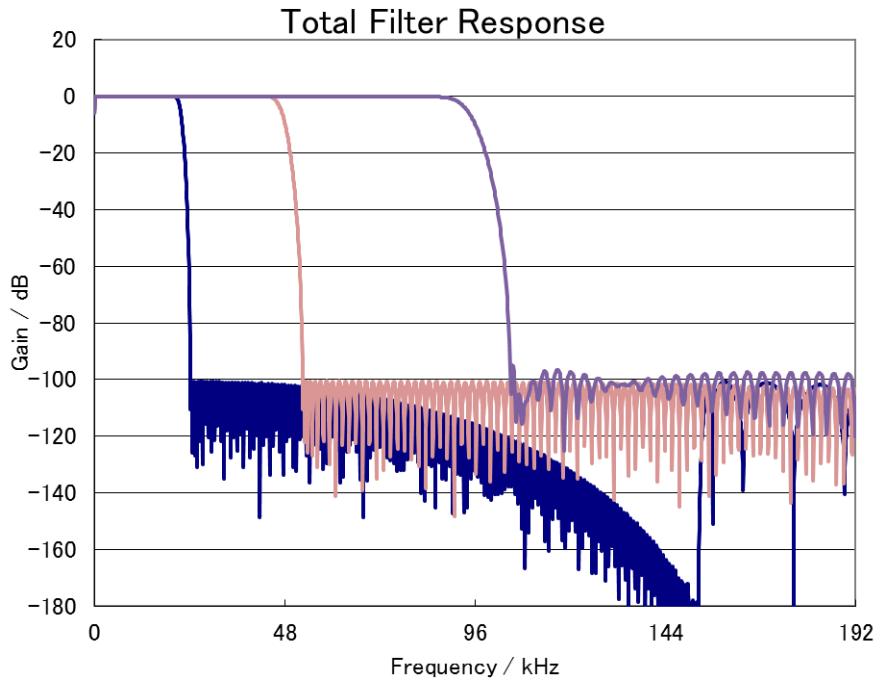


Figure 3. Short delay Sharp Roll-off Filter Frequency Response

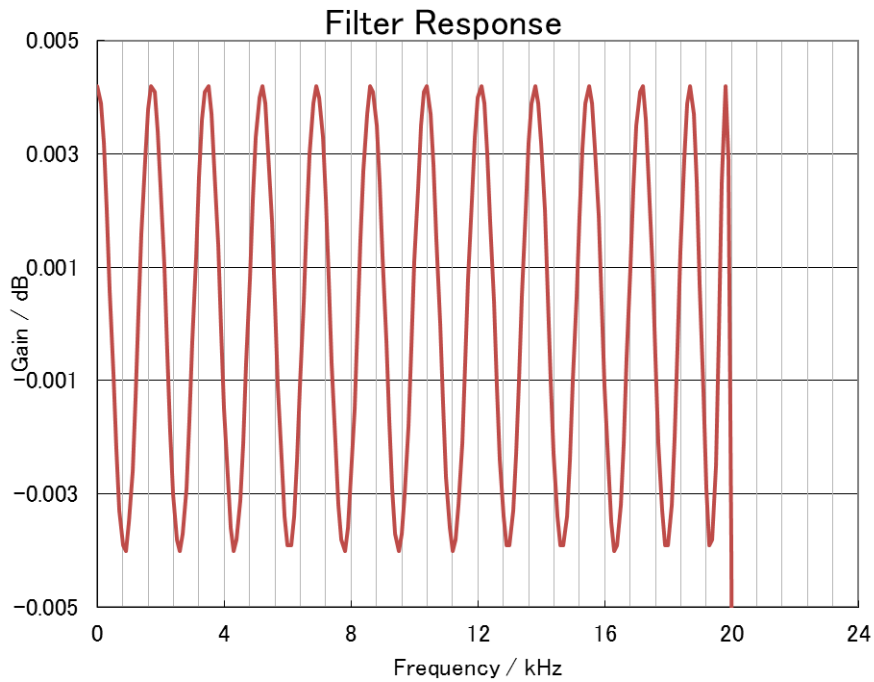


Figure 4. Short delay Sharp Roll-off Filter Passband Ripple

### ■ Slow Roll-Off Filter Characteristics (fs=44.1kHz)

(Ta=25°C; AVDD=DVDD=3.0 ~ 3.6, TVDD=1.6V ~ DVDD, VREFHL/R=VDDL/R=4.75 ~ 5.25V; Normal Speed Mode; DEM=OFF; SD bit="0" or SD pin = "L", SLOW bit="1" or SLOW pin = "H")

Parameter	Symbol	Min.	Typ.	Max.	Unit
<b>Digital Filter</b>					
Passband (Note 16)	±0.01dB -6.0dB	PB	0	4.4	kHz
			-	18.2	kHz
Stopband (Note 16)		SB	39.1		kHz
Passband Ripple		PR		±0.005	dB
Stopband Attenuation		SA	94		dB
Group Delay (Note 17)		GD	-	6.63	1/fs
<b>Digital Filter + SCF</b>					
Frequency Response: 0 ~ 20.0kHz			-	+0.1/-4.5	dB

### ■ Slow Roll-Off Filter Characteristics (fs=96kHz)

(Ta=25°C; AVDD=DVDD=3.0 ~ 3.6, TVDD=1.6V ~ DVDD, VREFHL/R=VDDL/R=4.75 ~ 5.25V; Double Speed Mode; DEM=OFF; SD bit="0" or SD pin = "L", SLOW bit="1" or SLOW pin = "H")

Parameter	Symbol	Min.	Typ.	Max.	Unit
<b>Digital Filter</b>					
Passband (Note 16)	±0.01dB -6.0dB	PB	0	18.1	kHz
			-	45.6	kHz
Stopband (Note 16)		SB	85.0		kHz
Passband Ripple		PR		±0.005	dB
Stopband Attenuation		SA	100		dB
Group Delay (Note 17)		GD	-	6.00	1/fs
<b>Digital Filter + SCF</b>					
Frequency Response: 0 ~ 40.0kHz			-	+0.1/-4.0	dB

### ■ Slow Roll-Off Filter Characteristics (fs=192kHz)

(Ta=25°C; AVDD=DVDD=3.0 ~ 3.6, TVDD=1.6V ~ DVDD, VREFHL/R=VDDL/R=4.75 ~ 5.25V; Quad Speed Mode; DEM=OFF; SD bit="0" or SD pin = "L", SLOW bit="1" or SLOW pin = "H")

Parameter	Symbol	Min.	Typ.	Max.	Unit
<b>Digital Filter</b>					
Passband (Note 16)	±0.01dB -6.0dB	PB	0	32.9	kHz
			-	90.4	kHz
Stopband (Note 16)		SB	171		kHz
Passband Ripple		PR		±0.005	dB
Stopband Attenuation		SA	97		dB
Group Delay (Note 17)		GD	-	6.00	1/fs
<b>Digital Filter + SCF</b>					
Frequency Response: 0 ~ 80.0kHz			-	+0.1/-5.5	dB

Note 16. The passband and stopband frequencies scale with fs. For example, PB=0.1836×fs (@±0.01dB), SB=0.8889×fs.

Note 17. The calculating delay time which occurred by digital filtering. This time is from setting the 16/20/24/32 bit data of both channels to the output of analog signal.

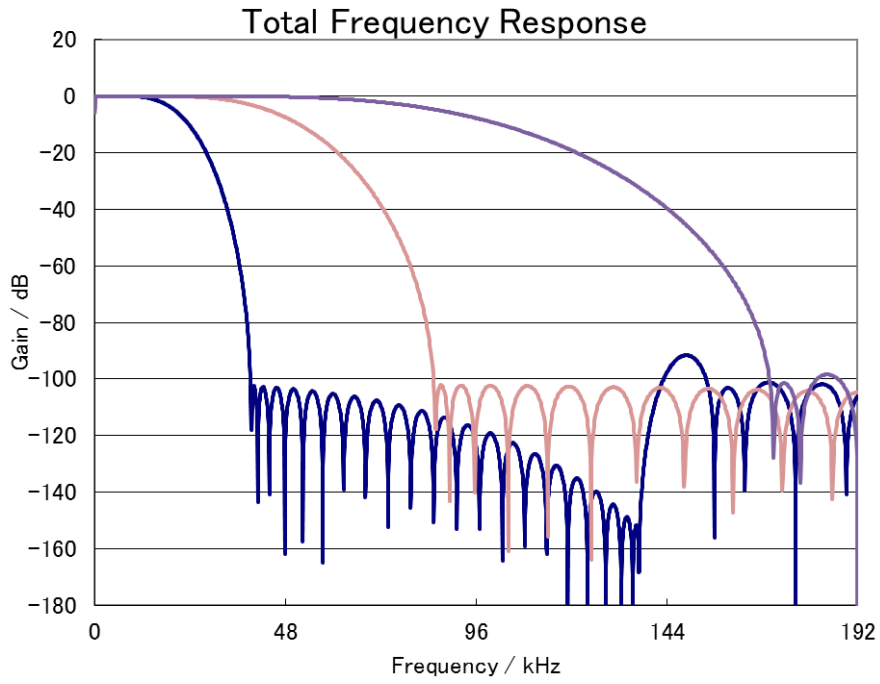


Figure 5. Slow Roll-off Filter Frequency Response

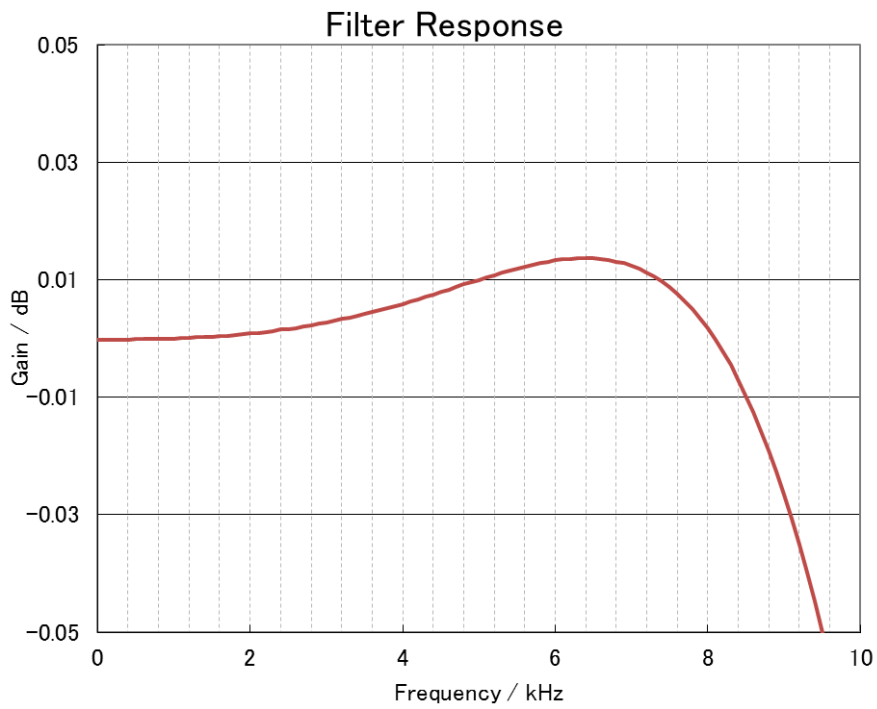


Figure 6. Slow Roll-off Filter Passband Ripple



### ■ Short Delay Slow Roll-Off Filter Characteristics (fs=44.1kHz)

(Ta=25°C; AVDD=DVDD=3.0 ~ 3.6, TVDD=1.6V ~ DVDD, VREFHL/R=VDDL/R=4.75 ~ 5.25V; Normal Speed Mode; DEM=OFF; SD bit="1" or SD pin = "H", SLOW bit="1" or SLOW pin = "H")

Parameter	Symbol	Min.	Typ.	Max.	Unit
<b>Digital Filter</b>					
Passband (Note 18)	±0.01dB -6.0dB	PB	0	4.4	kHz
			-	18.2	kHz
Stopband (Note 18)		SB	39.1		kHz
Passband Ripple		PR		±0.005	dB
Stopband Attenuation		SA	94		dB
Group Delay (Note 19)		GD	-	5.3	1/fs
<b>Digital Filter + SCF</b>					
Frequency Response : 0 ~ 20.0kHz			-	+0.1/-4.5	dB

### ■ Short Delay Slow Roll-Off Filter Characteristics (fs=96kHz)

(Ta=25°C; AVDD=DVDD=3.0 ~ 3.6, TVDD=1.6V ~ DVDD, VREFHL/R=VDDL/R=4.75 ~ 5.25V; Double Speed Mode; DEM=OFF; SD bit="1" or SD pin = "H")

Parameter	Symbol	Min.	Typ.	Max.	Unit
<b>Digital Filter</b>					
Passband (Note 18)	±0.01dB -6.0dB	PB	0	18.1	kHz
			-	45.6	kHz
Stopband (Note 18)		SB	85.0		kHz
Passband Ripple		PR		±0.005	dB
Stopband Attenuation		SA	100		dB
Group Delay (Note 19)		GD	-	4.68	1/fs
<b>Digital Filter + SCF</b>					
Frequency Response : 0 ~ 40.0kHz			-	+0.1/-0.4	dB

### ■ Short Delay Slow Roll-Off Filter Characteristics (fs=192kHz)

(Ta=25°C; AVDD=DVDD=3.0 ~ 3.6, TVDD=1.6V ~ DVDD, VREFHL/R=VDDL/R=4.75 ~ 5.25V; Quad Speed Mode; DEM=OFF; SD bit="1" or SD pin = "H")

Parameter	Symbol	Min.	Typ.	Max.	Unit
<b>Digital Filter</b>					
Passband (Note 18)	±0.01dB -6.0dB	PB	0	32.9	kHz
			-	96.0	kHz
Stopband (Note 18)		SB	170		kHz
Passband Ripple		PR		±0.005	dB
Stopband Attenuation		SA	97		dB
Group Delay (Note 19)		GD	-	4.68	1/fs
<b>Digital Filter + SCF</b>					
Frequency Response : 0 ~ 80.0kHz			-	+0.1/-5.5	dB

Note 18. The passband and stopband frequencies scale with fs. For example, PB=0.1836×fs (@±0.01dB), SB=0.8866×fs.

Note 19. The calculating delay time which occurred by digital filtering. This time is from setting the 16/20/24/32 bit data of both channels to the output of analog signal.

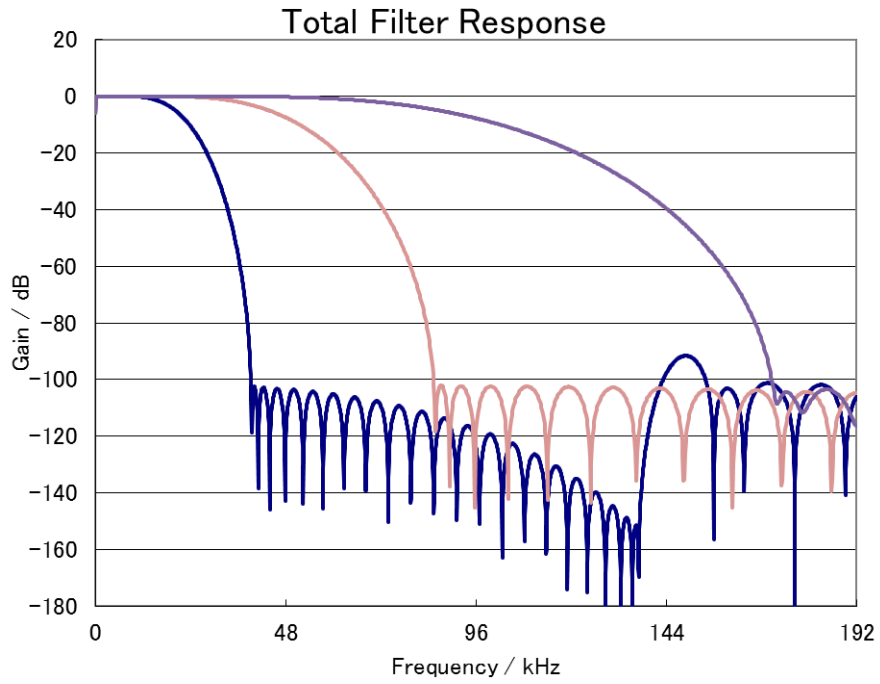


Figure 7. Short Delay Slow Roll-off Filter Frequency Response

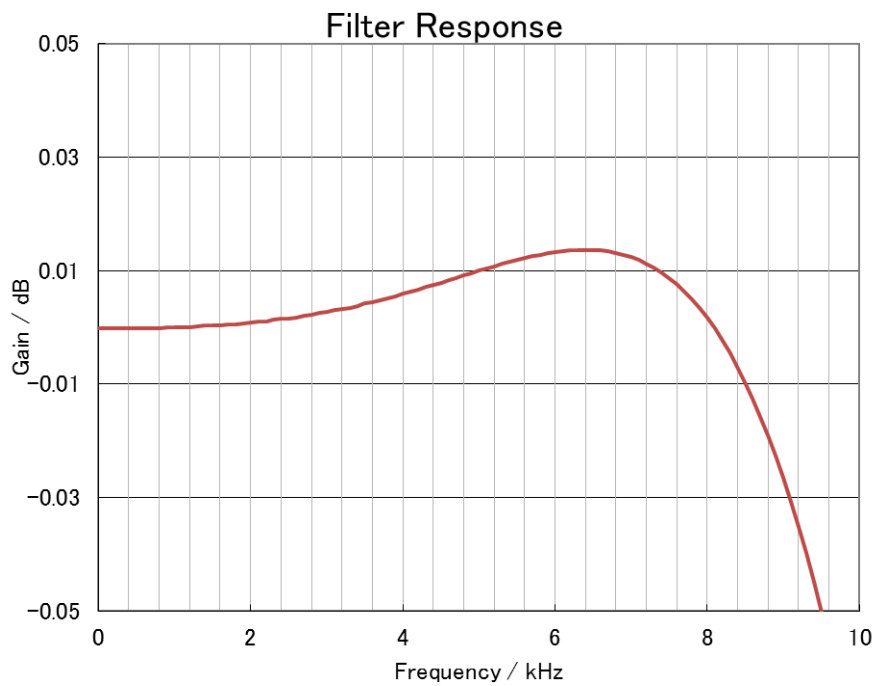


Figure 8. Short Delay Slow Roll-off Filter Passband Ripple

### ■ DSD Mode Characteristics

(Ta=-40~85°C; AVDD=DVDD=3.0 ~ 3.6, TVDD=1.6V ~ DVDD, VREFHL/R=VDDL/R=4.75 ~ 5.25V; fs=44.1kHz; DP bit="1", DSDF bit="0")

Parameter		Min.	Typ.	Max.	Unit
<b>Digital Filter Response</b>					
Frequency Response (Note 21)	20kHz	-	-0.4	-	dB
	50kHz	-	-2.8	-	dB
	100kHz	-	-15.5	-	dB

(Ta=-40~85°C; AVDD=DVDD=3.0 ~ 3.6, TVDD=1.6V ~ DVDD, VREFHL/R=VDDL/R=4.75 ~ 5.25V; fs=44.1kHz; DP bit="1", DSDF bit="1", DSDD bit="1")

Parameter		Min.	Typ.	Max.	Unit
<b>Digital Filter Response</b>					
Frequency Response (Note 21)	20kHz	-	-0.05	-	dB
	50kHz	-	-0.29	-	dB
	100kHz	-	-1.16	-	dB
	150kHz	-	-2.8	-	dB

Note 20. The peak level of DSD signal should be in the range of 25% ~ 75% duty according to the SACD format book (Scarlet Book).

Note 21. The output level is assumed as 0dB when a 1kHz 25% ~ 75% duty sine wave is input.

### ■ DC Characteristics

(Ta=25°C; AVDD=DVDD=3.0 ~ 3.6, TVDD=1.6V ~ DVDD, VREFHL/R=VDDL/R=4.75 ~ 5.25V)

Parameter	Symbol	Min.	Typ.	Max.	Unit
TVDD=1.6 ~ 3.0V					
High-Level Input Voltage	VIH	80%TVDD	-	-	V
Low-Level Input Voltage	VIL	-	-	20%TVDD	V
TVDD=3.0 ~ DVDD					
High-Level Input Voltage	VIH	70%TVDD	-	-	V
Low-Level Input Voltage	VIL	-	-	30%TVDD	V
High-Level Output Voltage (DZFL/R pins: Iout=-100μA)	VOH	DVDD-0.5	-	-	V
Low-Level Output Voltage (except SDA pin : Iout= 100μA)	VOL	-	-	0.5	V
(SDA pin, 2.0V ≤ TVDD ≤ 3.6V: Iout= 3mA)	VOL	-	-	0.4	V
(SDA pin, 1.6V ≤ TVDD ≤ 2.0V: Iout= 3mA)	VOL	-	-	20%DVDD	V
Input Leakage Current (Note 22)	Iin	-	-	±10	μA

Note 22. The DEM1, I2C and ACKS/CAD1 pins have internal pull-down and DEM0 and PSN pins have internal pull-up devices, nominally 100kΩ. Therefore the DEM1, I2C, ACKS/CAD1, DEM0 and PSN pins are not included.

## ■ Switching Characteristics

(Ta=25°C; AVDD=DVDD=3.0 ~ 3.6, TVDD=1.6V ~ DVDD, VREFHL/R=VDDL/R=4.75 ~ 5.25V)

Parameter	Symbol	Min.	Typ.	Max.	Unit
<b>Master Clock Timing</b>					
Frequency	fCLK	7.7		49.152	MHz
Duty Cycle	dCLK	40		60	%
<b>LRCK Frequency (Note 23)</b>					
1152fs, 512fs or 768fs	f <sub>sn</sub>	30		54	kHz
256fs or 384fs	f <sub>sd</sub>	54		108	kHz
128fs or 192fs	f <sub>sq</sub>	108		216	kHz
64fs	f <sub>soc</sub>		384		kHz
64fs	f <sub>ssd</sub>		768		kHz
Duty Cycle	Duty	45		55	%
<b>PCM Audio Interface Timing</b>					
BICK Period					
1152fs, 512fs or 768fs	tBCK	1/128f <sub>sn</sub>			ns
256fs or 384fs	tBCK	1/64f <sub>sd</sub>			ns
128fs or 192fs	tBCK	1/64f <sub>sq</sub>			ns
64fs	tBCK	1/64f <sub>so</sub>			ns
64fs	tBCK	1/64f <sub>sh</sub>			ns
BICK Pulse Width Low	tBCKL	9			ns
BICK Pulse Width High	tBCKH	9			ns
BICK “↑” to LRCK Edge (Note 24)	tBLR	5			ns
LRCK Edge to BICK “↑” (Note 24)	tLRB	5			ns
SDATA Hold Time	tSDH	5			ns
SDATA Setup Time	tSDS	5			ns
<b>External Digital Filter Mode</b>					
BICK Period	tB	27			ns
BCK Pulse Width Low	tBL	10			ns
BCK Pulse Width High	tBH	10			ns
BCK “↑” to WCK Edge	tBW	5			ns
WCK Edge to BCK “↑”	tWB	5			ns
WCK Pulse Width Low	tWCK	54			ns
WCK Pulse Width High	tWCH	54			ns
DATA Hold Time	tDH	5			ns
DATA Setup Time	tDS	5			ns
<b>DSD Audio Interface Timing (64 mode, DSDSEL 1-0 bits = “00”)</b>					
DCLK Period	tDCK		1/64fs		ns
DCLK Pulse Width Low	tDCKL	160			ns
DCLK Pulse Width High	tDCKH	160			ns
DCLK Edge to DSDL/R (Note 25)	tDDD	-20		20	ns
<b>DSD Audio Interface Timing (128 mode, DSDSEL 1-0 bits = “01”)</b>					
DCLK Period	tDCK		1/128fs		ns
DCLK Pulse Width Low	tDCKL	80			ns
DCLK Pulse Width High	tDCKH	80			ns
DCLK Edge to DSDL/R (Note 25)	tDDD	-10		10	ns

<b>DSD Audio Interface Timing (256 mode, DSDSEL 1-0 bit = "10")</b>					
DCLK Period	tDCK		1/256fs		ns
DCLK Pulse Width Low	tDCKL	40			ns
DCLK Pulse Width High	tDCKH	40			ns
DCLK Edge to DSDL/R (Note 25)	tDDD	-5		5	ns
<b>Control Interface Timing</b>					
CCLK Period	tCCK	200			ns
CCLK Pulse Width Low	tCCKL	80			ns
CCLK Pulse Width High	tCCKH	80			ns
CDTI Setup Time	tCDS	50			ns
CDTI Hold Time	tCDH	50			ns
CSN High Time	tCSW	150			ns
CSN "↓" to CCLK "↑"	tCSS	50			ns
CCLK "↑" to CSN "↑"	tCSH	50			ns
<b>Control Interface Timing (I<sup>2</sup>C Bus mode):</b>					
SCL Clock Frequency	fSCL	-		400	kHz
Bus Free Time Between Transmissions	tBUF	1.3		-	μs
Start Condition Hold Time (prior to first clock pulse)	tHD:STA	0.6		-	μs
Clock Low Time	tLOW	1.3		-	μs
Clock High Time	tHIGH	0.6		-	μs
Setup Time for Repeated Start Condition	tSU:STA	0.6		-	μs
SDA Hold Time from SCL Falling (Note 26)	tHD:DAT	0		-	μs
SDA Setup Time from SCL Rising	tSU:DAT	0.1		-	μs
Rise Time of Both SDA and SCL Lines	tR	-		0.3	μs
Fall Time of Both SDA and SCL Lines	tF	-		0.3	μs
Setup Time for Stop Condition	tSU:STO	0.6		-	μs
Pulse Width of Spike Noise Suppressed by Input Filter	tSP	0		50	ns
Capacitive load on bus	Cb	-		400	pF
<b>Reset Timing</b>					
PDN Pulse Width (Note 27)	tPD	150			ns

Note 23. When the 1152fs, 512fs or 768fs /256fs or 384fs /128fs or 192fs are switched, the AK4490EN should be reset by the PDN pin or RSTN bit.

Note 24. BICK rising edge must not occur at the same time as LRCK edge.

Note 25. DSD data transmitting device must meet this time.

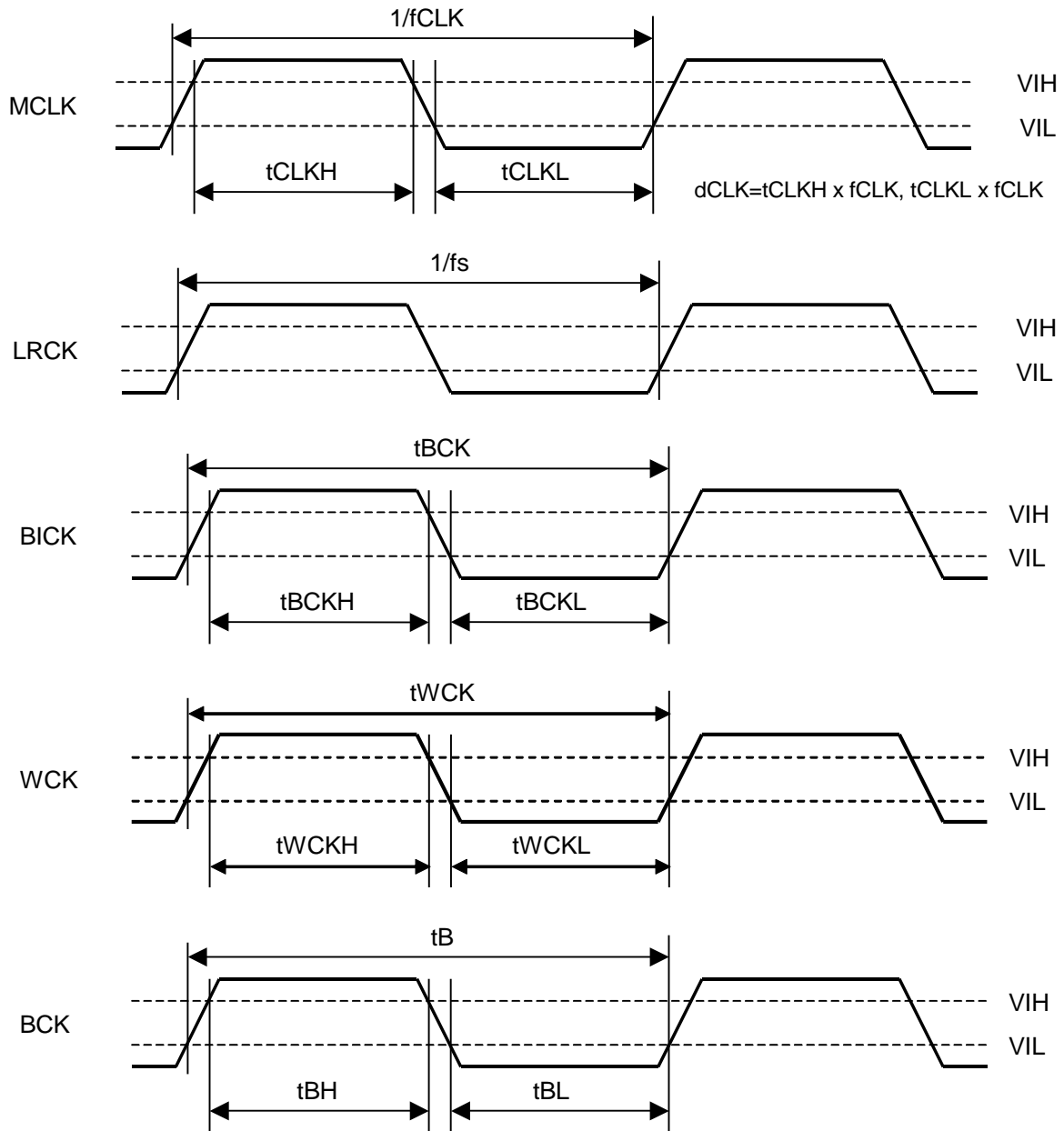
Note 26. Data must be held for sufficient time to bridge the 300 ns transition time of SCL.

Note 27. The AK4490EN can be reset by bringing the PDN pin to "L".

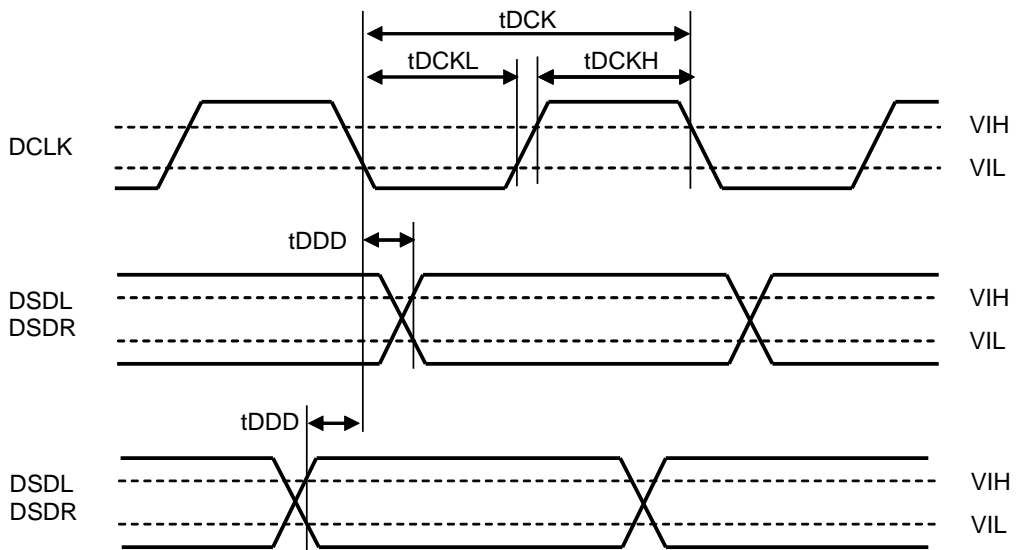
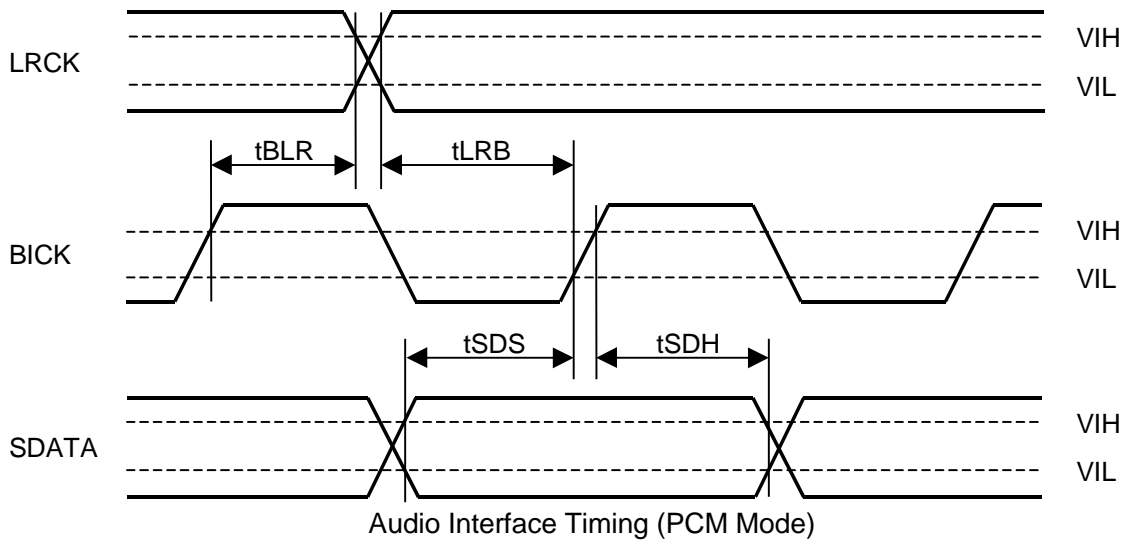
When the AK8157A is used for MCLK, Minimum Pulse Width is specified as below.

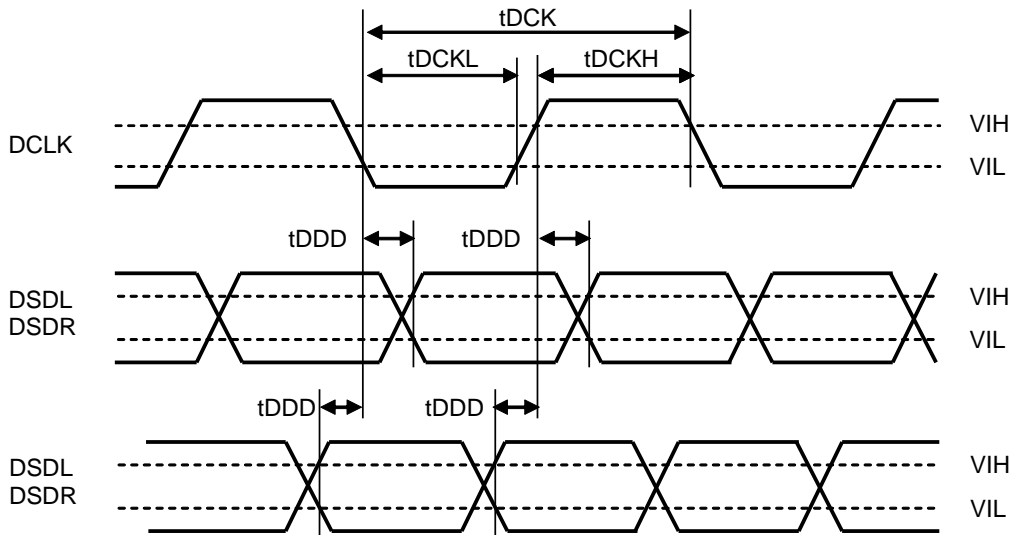
Parameter	Symbol	min	typ	max	Unit
<b>Master Clock Timing</b>					
Frequency1 (CKSEL= "00")	fCLK		16.384		MHz
Frequency2 (CKSEL= "01")	fCLK		22.5792		MHz
Frequency3 (CKSEL= "10" / "11")	fCLK		24.576		MHz
Minimum Pulse Width	tCLKH / tCLKL	9.155			ns

■ Timing Diagram

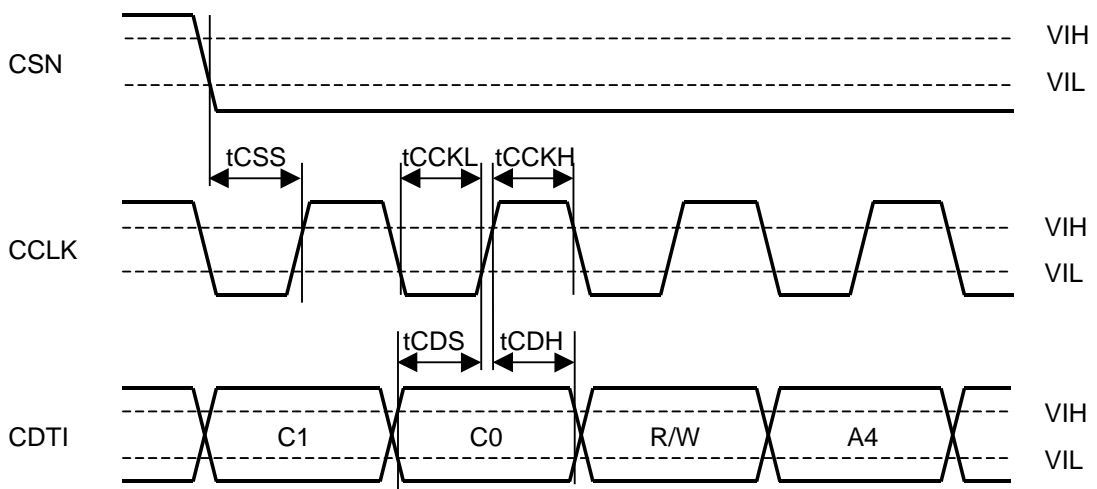


Clock Timing



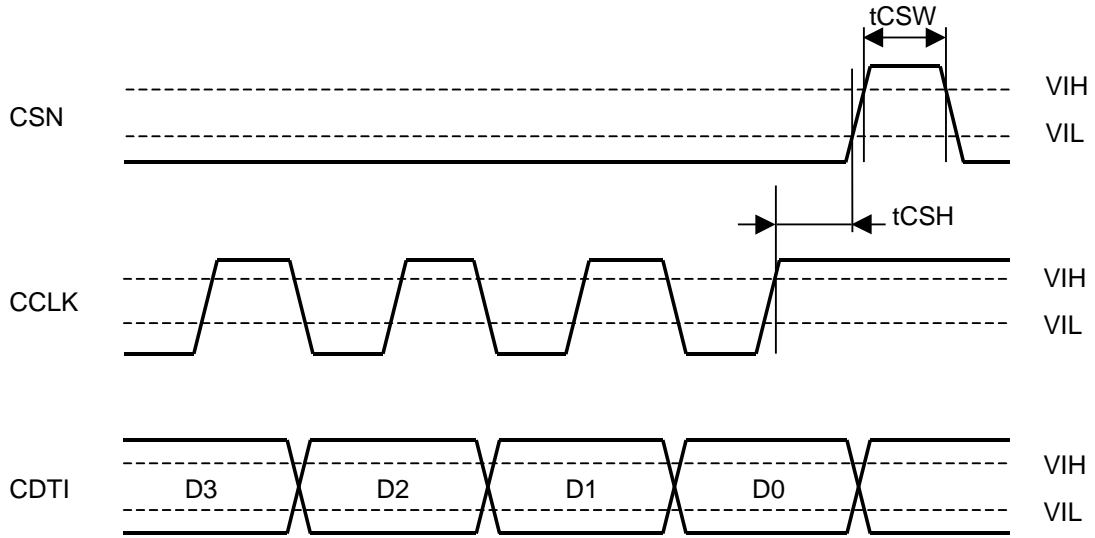


Audio Serial Interface Timing (DSD Phase Modulation Mode, DCKB bit = "0")

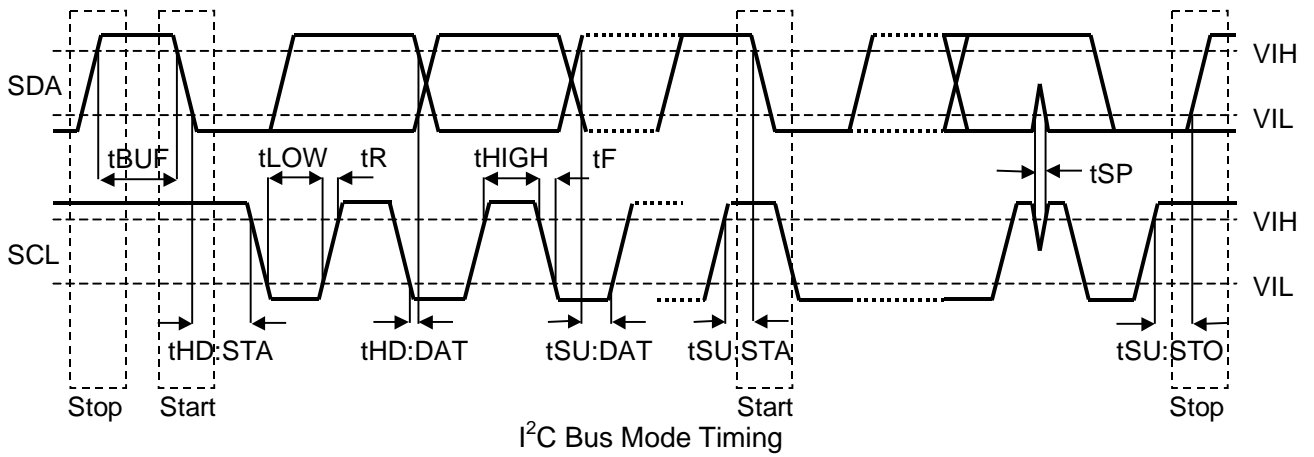


3 Wire Serial Mode WRITE Command Input Timing

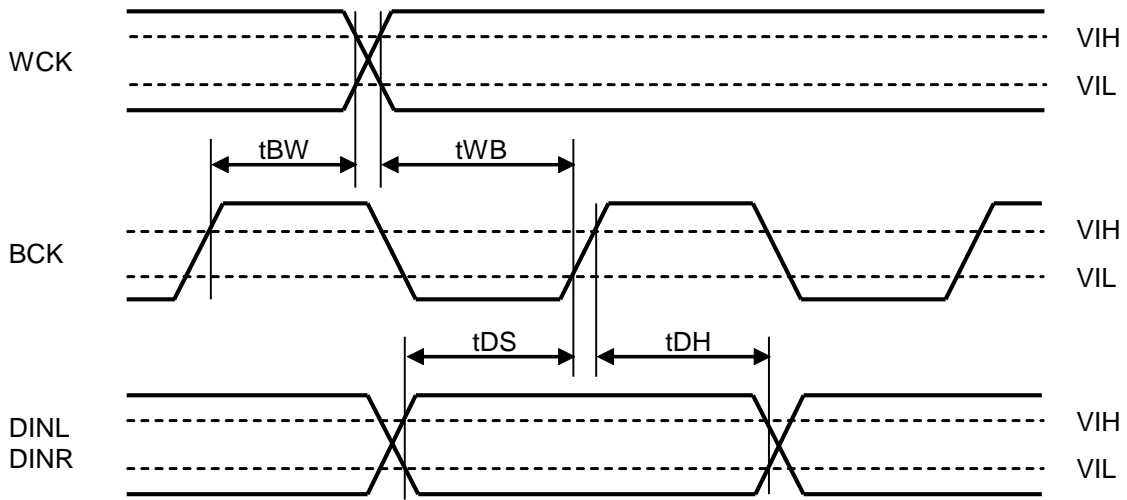
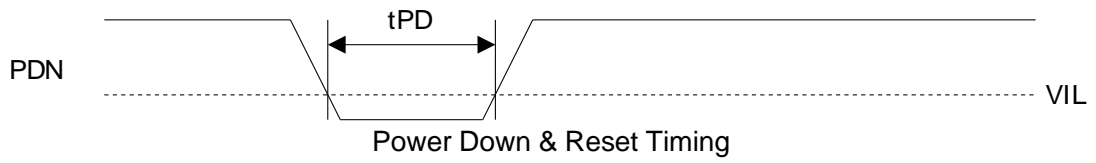




3 Wire Serial Mode WRITE Data Input Timing



I<sup>2</sup>C Bus Mode Timing



## 9. Functional Descriptions

### ■ D/A Conversion Mode

In serial mode, the AK4490EN can perform D/A conversion for either PCM data or DSD data. The DP bit controls PCM/DSD mode. When DSD mode, DSD data can be input from DCLK, DSDL and DSDR pins. When PCM mode, PCM data can be input from BICK, LRCK and SDATA pins. When PCM/DSD mode is changed by DP bit, the AK4490EN should be reset by RSTN bit. It takes about  $2/f_s$  to  $3/f_s$  to change the mode. In parallel mode, the AK4490EN performs for only PCM data.

Table 1. PCM/DSD Mode Control

DP bit	Interface
0	PCM
1	DSD

When DP bit= "0", an internal digital filter or external digital filter can be selected. When using an external digital filter (EX DF I/F mode), data is input to each MCLK, BCK, WCK, DINL and DINR pin. EXDF bit controls the modes. When switching internal and external digital filters, the AK4490EN must be reset by RSTN bit. A Digital filter switching takes  $2\sim 3k/f_s$ .

Table 2. Digital Filter Control (DP bit = "0")

EXDF bit	Interface
0	PCM
1	EX DF I/F

### ■ System Clock

#### [1] PCM Mode

The external clocks, which are required to operate the AK4490EN, are MCLK, BICK and LRCK. MCLK should be synchronized with LRCK but the phase is not critical. The MCLK is used to operate the digital interpolation filter and the delta-sigma modulator. There are two modes for MCLK frequency setting: Manual Setting Mode and Auto Setting Mode. In manual setting mode, MCLK frequency is set automatically (Table 3, Table 9). In auto setting mode, sampling speed and MCLK frequency are detected automatically (Table 4, Table 10) and then the initial master clock is set to the appropriate frequency (Table 5, Table 11). When the reset is released (PDN pin = "↑"), the AK4490EN is in auto setting mode.

The AK4490EN is automatically placed in reset state when MCLK and LRCK are stopped during a normal operation (PDN pin = "H"), and the analog output becomes Hi-z state. When MCLK and LRCK are input again, the AK4490EN exits reset state and starts operation. After exiting system reset (PDN pin = "L" → "H") at power-up and other situations, the AK4490EN is in power-down mode until MCLK and LRCK are supplied.

The MCLK frequency corresponding to each sampling speed should be provided externally (Table 3, Table 4, Table 9, Table 10).

## (1) Parallel Mode (PSN pin = "H")

## 1. Manual Setting Mode (ACKS pin = "L")

The MCLK frequency corresponding to each sampling speed should be provided externally (Table 3). DFS1-0 bit is fixed to "00". In this mode, only normal speed mode are available.

Table 3. System Clock Example (Manual Setting Mode @Parallel Mode) (N/A: Not available)

LRCK fs	MCLK (MHz)								BICK 64fs
	128fs	192fs	256fs	384fs	512fs	768fs	1024fs	1152fs	
32.0kHz	N/A	N/A	8.1920	12.2880	16.3840	24.5760	32.7680	36.8640	2.0480MHz
44.1kHz	N/A	N/A	11.2896	16.9344	22.5792	33.8688	N/A	N/A	2.8224MHz
48.0kHz	N/A	N/A	12.2880	18.4320	24.5760	36.8640	N/A	N/A	3.0720MHz

## 2. Auto Setting Mode (ACKS pin = "H")

In auto setting mode, MCLK frequency and sampling frequency are detected automatically (Table 4). MCLK of corresponded frequency to each sampling speed mode should be input externally. (Table 5)

Table 4. Sampling Speed (Auto Setting Mode @Parallel Mode)

MCLK		Sampling Speed
1152fs		Normal (fs≤32kHz)
512/256fs	768/384fs	Normal
256fs	384fs	Double
128fs	192fs	Quad
64fs	96fs	Oct
32fs	48fs	Hex

Table 5. System Clock Example (Auto Setting Mode @Parallel Mode) (N/A: Not available)

LRCK Fs	MCLK (MHz)												Sampling Speed
	32fs	48fs	64fs	96fs	128fs	192fs	256fs	384fs	512fs	768fs	1024fs	1152fs	
32.0kHz	N/A	N/A	N/A	N/A	N/A	N/A	8.192	12.288	16.384	24.576	32.768	36.864	Normal
44.1kHz	N/A	N/A	N/A	N/A	N/A	N/A	11.2896	16.9344	22.5792	33.8688	N/A	N/A	
48.0kHz	N/A	N/A	N/A	N/A	N/A	N/A	12.288	18.432	24.576	36.864	N/A	N/A	
88.2kHz	N/A	N/A	N/A	N/A	N/A	N/A	22.5792	33.8688	N/A	N/A	N/A	N/A	Double
96.0kHz	N/A	N/A	N/A	N/A	N/A	N/A	24.576	36.864	N/A	N/A	N/A	N/A	
176.4kHz	N/A	N/A	N/A	N/A	22.5792	33.8688	N/A	N/A	N/A	N/A	N/A	N/A	Quad
192.0kHz	N/A	N/A	N/A	N/A	24.576	36.864	N/A	N/A	N/A	N/A	N/A	N/A	Quad
384kHz	N/A	N/A	24.576	36.864	N/A	N/A	N/A	N/A	N/A	N/A	N/A	N/A	Oct
768kHz	24.576	36.864	N/A	N/A	N/A	N/A	N/A	N/A	N/A	N/A	N/A	N/A	Hex

When MCLK= 256fs/384fs, auto setting mode supports sampling rate of 32kHz~96kHz. However, the DR and S/N performances will degrade approximately 3dB as compared to when MCLK= 512fs/768fs when the sampling rate is 32kHz~48kHz (Table 6).

Table 6. Relationship of MCLK Frequency and DR, S/N Performance (fs = 44.1kHz)

ACKS pin	MCLK	DR,S/N
L	256fs/384fs/512fs/768fs	120dB
H	256fs/384fs	117dB
H	512fs/768fs	120dB

### 3. Digital filter

The AK4490EN has four kinds of digital filter selected by SSLOW, SD and SLOW pins. Different sound qualities on playback can be selected by these filters.

Table 7. Digital Filter Setting

SSLOW pin	SD pin	SLOW pin	Mode
L	L	L	Sharp roll-off filter
L	L	H	Slow roll-off filter
L	H	L	Short delay Sharp roll-off filter
L	H	H	Short delay Slow roll-off filter
H	-	-	Super Slow roll-off filter

(default)

The AK4490EN can be operated on a slower sampling frequency. This mode is available when the SSLOW pin = "H".

#### (2) Serial Mode (PSN pin = "L")

##### 1. Manual Setting Mode (ACKS bit = "0")

MCLK frequency is detected automatically and the sampling speed is set by DFS2-0 bits (Table 8). The MCLK frequency corresponding to each sampling speed should be provided externally (Table 9). The AK4490EN is set to Manual Setting Mode at power-up (PDN pin = "L" → "H"). When DFS2-0 bits are changed, the AK4490EN should be reset by RSTN bit.

Table 8. Sampling Speed (Manual Setting Mode @Serial Mode)

DFS2	DFS1	DFS0	Sampling Rate (fs)	
0	0	0	Normal Speed Mode	30kHz ~ 54kHz
0	0	1	Double Speed Mode	54kHz ~ 108kHz
0	1	0	Quad Speed Mode	120kHz ~ 216kHz
0	1	1	Reserved	-
1	0	0	Oct Speed Mode	384kHz
1	0	1	Hex Speed Mode	768kHz
1	1	0	Reserved	-
1	1	1	Reserved	-

(default)

Table 9. System Clock Example (Manual Setting Mode @Serial Mode)

LRCK fs	MCLK (MHz)								Sampling Speed	
	16fs	32fs	48fs	64fs	96fs	128fs	192fs	256fs		
32.0kHz	N/A	N/A	N/A	N/A	N/A	N/A	N/A	N/A	8.1920	Normal
44.1kHz	N/A	N/A	N/A	N/A	N/A	N/A	N/A	N/A	11.2896	
48.0kHz	N/A	N/A	N/A	N/A	N/A	N/A	N/A	N/A	12.2880	
88.2kHz	N/A	N/A	N/A	N/A	N/A	N/A	N/A	N/A	22.5792	Double
96.0kHz	N/A	N/A	N/A	N/A	N/A	N/A	N/A	N/A	24.5760	
176.4kHz	N/A	N/A	N/A	N/A	N/A	N/A	22.5792	33.8688	45.1584	Quad
192.0kHz	N/A	N/A	N/A	N/A	N/A	N/A	24.5760	36.8640	49.152	Quad
384kHz	N/A	12.288	18.432	24.576	36.864	N/A	N/A	N/A	N/A	Oct
768kHz	12.288	24.576	36.864	49.152	N/A	N/A	N/A	N/A	N/A	Hex

LRCK fs	MCLK (MHz)					Sampling Speed
	384fs	512fs	768fs	1024fs	1152fs	
32.0kHz	12.2880	16.3840	24.5760	32.7680	36.8640	Normal
44.1kHz	16.9344	22.5792	33.8688	N/A	N/A	
48.0kHz	18.4320	24.5760	36.8640	N/A	N/A	
88.2kHz	33.8688	45.1584	N/A	N/A	N/A	Double
96.0kHz	36.8640	49.152	N/A	N/A	N/A	
176.4kHz	N/A	N/A	N/A	N/A	N/A	Quad
192.0kHz	N/A	N/A	N/A	N/A	N/A	Quad
384kHz	N/A	N/A	N/A	N/A	N/A	Oct
768kHz	N/A	N/A	N/A	N/A	N/A	Hex

## 2. Auto Setting Mode (ACKS bit = "1")

MCLK frequency and the sampling speed are detected automatically (Table 10) and DFS1-0 bits are ignored. The MCLK frequency corresponding to each sampling speed should be provided externally (Table 11).

Table 10. Sampling Speed (Auto Setting Mode @Serial Mode)

MCLK		Sampling Speed
1152fs		Normal (fs≤32kHz)
512/256fs	768/384fs	Normal
256fs	384fs	Double
128fs	192fs	Quad

Table 11. System Clock Example (Auto Setting Mode @Serial Mode)

LRCK fs	MCLK(MHz)												Sampling Speed
	32fs	48fs	64fs	96fs	128fs	192fs	256fs	384fs	512fs	768fs	1024fs	1152fs	
32.0kHz	N/A	N/A	N/A	N/A	N/A	N/A	8.192	12.288	16.384	24.576	32.7680	36.864	Normal
44.1kHz	N/A	N/A	N/A	N/A	N/A	N/A	11.2896	16.9344	22.5792	33.8688	N/A	N/A	
48.0kHz	N/A	N/A	N/A	N/A	N/A	N/A	12.288	18.432	24.576	36.864	N/A	N/A	
88.2kHz	N/A	N/A	N/A	N/A	N/A	N/A	22.5792	33.8688	N/A	N/A	N/A	N/A	Double
96.0kHz	N/A	N/A	N/A	N/A	N/A	N/A	24.576	36.864	N/A	N/A	N/A	N/A	
176.4kHz	N/A	N/A	N/A	N/A	22.5792	33.8688	N/A	N/A	N/A	N/A	N/A	N/A	Quad
192.0kHz	N/A	N/A	N/A	N/A	24.576	36.864	N/A	N/A	N/A	N/A	N/A	N/A	Quad
384kHz	N/A	N/A	24.576	36.864	N/A	N/A	N/A	N/A	N/A	N/A	N/A	N/A	Oct
768kHz	24.576	36.864	N/A	N/A	N/A	N/A	N/A	N/A	N/A	N/A	N/A	N/A	Hex

When MCLK= 256fs/384fs, auto setting mode supports sampling rate of 32kHz~96kHz. However, the DR and S/N performances will degrade approximately 3dB as compared to when MCLK= 512fs/768fs when the sampling rate is 32kHz~48kHz (Table 12).

Table 12. Relationship of MCLK Frequency and DR, S/N Performance (fs = 44.1kHz)

ACKS bit	MCLK	DR,S/N
0	256fs/384fs/512fs/768fs	120dB
1	256fs/384fs	117dB
1	512fs/768fs	120dB

### 3. Digital filter

The AK4490EN has four kinds of digital filter selected by SSLOW, SD and SLOW bits. Different sound qualities on playback can be selected by these filters.

Table 13. Digital Filter Setting

SSLOW bit	SD bit	SLOW bit	Mode
0	0	0	Sharp roll-off filter
0	0	1	Slow roll-off filter
0	1	0	Short delay Sharp roll-off filter
0	1	1	Short delay Slow roll-off filter
1	-	-	Super Slow roll-off filter

(default)

The AK4490EN can be operated on a slower sampling frequency. This mode is available when the SSLOW bit = "1" (05H D0).

## [2] DSD Mode

The AK4490EN has a DSD playback function. The external clocks, which are required in DSD mode, are MCLK and DCLK. MCLK should be synchronized with DCLK but the phase is not critical. The frequency of MCLK is set by DCKS bit.

The AK4490EN is automatically placed in reset state when MCLK is stopped during a normal operation (PDN pin = "H"), and the analog output becomes Hi-z state. However, the external clock (DCLK) should not be stopped. When DCLK is not supplied, the AK4490EN may not be able to operate properly because of an over current since it has a dynamic logic circuit internally. The PDN pin should be set to "L" when stopping the DCLK. When the reset is released (PDN pin = "L" → "H"), the AK4490EN is in power-down state until MCLK and DCLK are input.

Table 14. System Clock (DSD Mode)

DCKS bit	MCLK Frequency	DCLK Frequency	
0	512fs	64fs/128fs/256fs	(default)
1	768fs	64fs/128fs/256fs	

The AK4490EN supports DSD data stream of 2.8224MHz (64fs), 5.6448MHz (128fs) and 11.2896MHz (256fs). The data sampling speed is selected by DSDSEL1-0 bits.

Table 15. DSD Sampling Speed Control

DSDSEL1	DSDSEL0	DSD data stream	
0	0	2.8224MHz	(default)
0	1	5.6448MHz	
1	0	11.2896MHz	
1	1	Reserved	

The AK4490EN has a Volume bypass function for play backing DSD signal. Two modes are selectable by DSDD bit. When setting DSDD bit = "1", the output volume control function is not available.

Table 16. DSD Play Back Mode Control

DSDD	Mode	
0	Normal Path	(default)
1	Volume Bypass	

When DSDD bit = "1", filter characteristic can be switched between 50kHz and 100kHz by DSDF bit.

Table 17. DSD Filter Select

DSDD bit	DSDF bit	Cut Off Filter	
0	0	50kHz	(default)
0	1	Reserved	
1	0	50kHz	
1	1	150kHz	



Full Scale (FS) DSD Signal Detection Function

The AK4490EN has a full scale (FS) detection function at each channel in DSD Mode. When DSDL or DSDR input data is continuously “0” (-FS) or “1” (+FS) for 2048 cycles, the AK4490EN detects full scale and enters full scale detection status and DML or DMR bit becomes “1”. The output will be muted by full scale detection if DDM bit = “1”. When DSDD bit is “0”, the output is attenuated in soft transition. When DSDD bit is “1”, the soft transition is disabled.

Recovery method to normal operation mode from full scale detection status is controlled by DMC bit when DDM bit = “1”. When DMC bit = “0”, the AK4490EN returns to normal operation automatically by a normal signal input. When DMC bit = “1”, the AK4490EN returns normal operation by writing DMRE bit = “1”.

Table 18. DSD Mode and the Device Status after Detection (DDM bit= “1”)

DSDD	Mode	Status After Detection
0	Normal Path	Soft Mute Enable
1	Volume Bypass	Soft Mute Disable

(default)

Table 19. Recovery Method to Normal Operation Mode from Full Scale Detection Status

DDM	DMC	DMRE	Status After Detection
0	*	*	When full scale is detected, Mute function is Disable.
1	0	*	When full scale is detected, Mute function is Enable. The AK4490EN returns normal operation automatically by a normal signal input.
1	1	0	When full scale is detected, Mute function is Enable. The AK4490EN keeps mute mode, even if a normal signal is input.
1	1	1 (Note 28)	When full scale is detected, Mute function is Enable. The AK4490EN returns normal operation, when a normal signal is input and DMRE bit is set “1”.

(default)

Note 28. After the AK4490EN returns normal operation, DMRE bit is returned to “0” automatically.

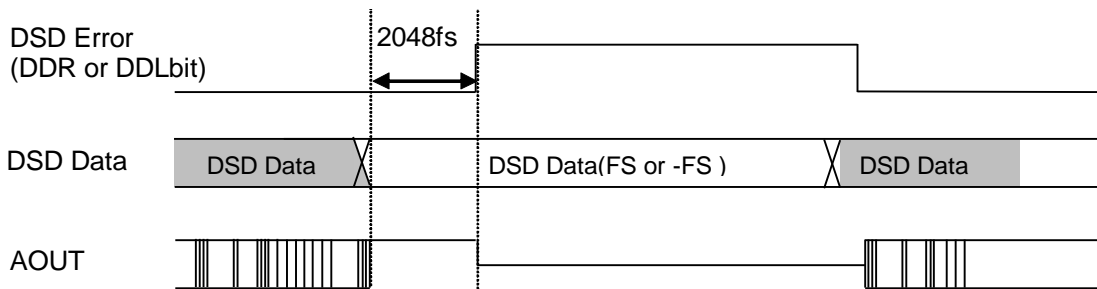


Figure 9. Analog Output Waveform on DSD FS Detection (DSDD bit= “1”)

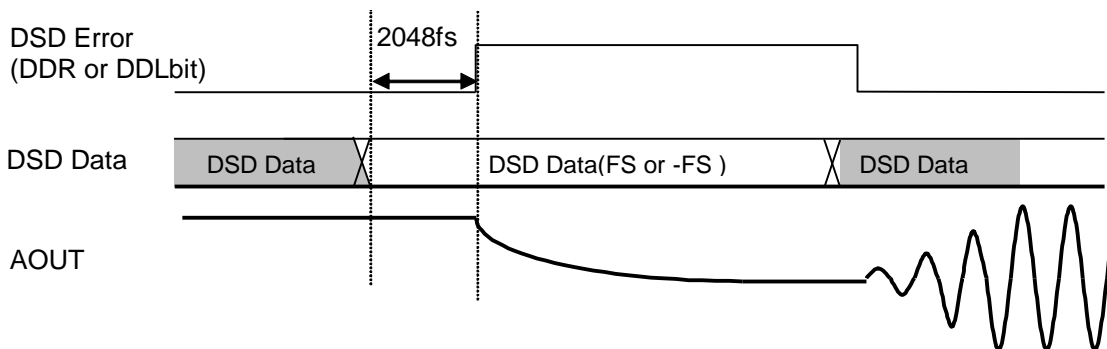


Figure 10. Analog Output Waveform on DSD FS Detection (DSDD bit= “0”)

**[3] External Digital Filter Mode (EX DF I/F Mode)**

The AK4490EN has the External Digital Filter playback function. The external clocks, which are required in EX DF I/F mode, are MCLK, BCK and WCK. BCK should be same frequency with MCLK. The frequency of WCK is set by ECS bit.

Table 20. EX DF Sampling Speed

ECS	WCK [kHz]
0	768kHz
1	384kHz

 (default)

■ Audio Interface Format

[1] PCM Mode

Data is shifted in via the SDATA pin using BICK and LRCK inputs. Eight data formats are supported and selected by the DIF2-0 pins (Parallel control mode) or DIF2-0 bits (Serial control mode) as shown in Table 21. In all formats the serial data is MSB-first, 2's compliment format and is latched on the rising edge of BICK. Mode 2 can be used for 20-bit and 16-bit MSB justified formats by zeroing the unused lower bit.

Table 21. Audio Interface Format

Mode	DIF2	DIF1	DIF0	Input Format	BICK	Figure
0	0	0	0	16-bit LSB justified	≥ 32fs	Figure 11
1	0	0	1	20-bit LSB justified	≥ 48fs	Figure 12
2	0	1	0	24-bit MSB justified	≥ 48fs	Figure 13 (default)
3	0	1	1	24-bit I <sup>2</sup> S compatible	≥ 48fs	Figure 14
4	1	0	0	24-bit LSB justified	≥ 48fs	Figure 12
5	1	0	1	32-bit LSB justified	≥ 64fs	Figure 15
6	1	1	0	32-bit MSB justified	≥ 64fs	Figure 16
7	1	1	1	32-bit I <sup>2</sup> S compatible	≥ 64fs	Figure 17

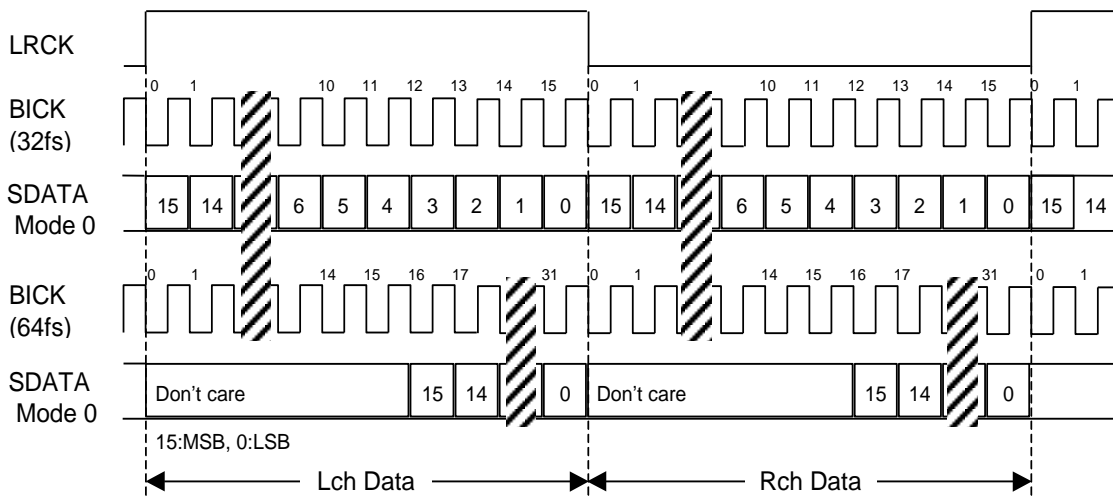


Figure 11. Mode 0 Timing

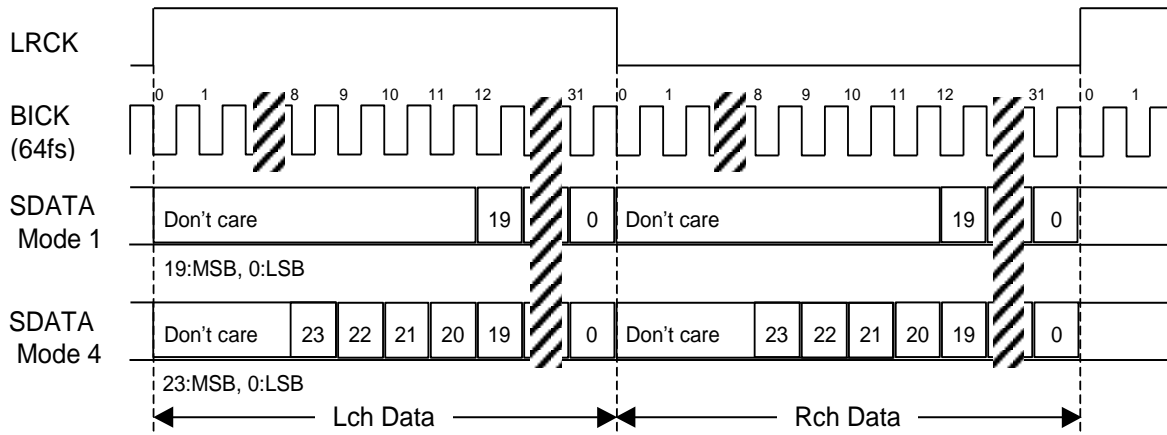


Figure 12. Mode 1/4 Timing

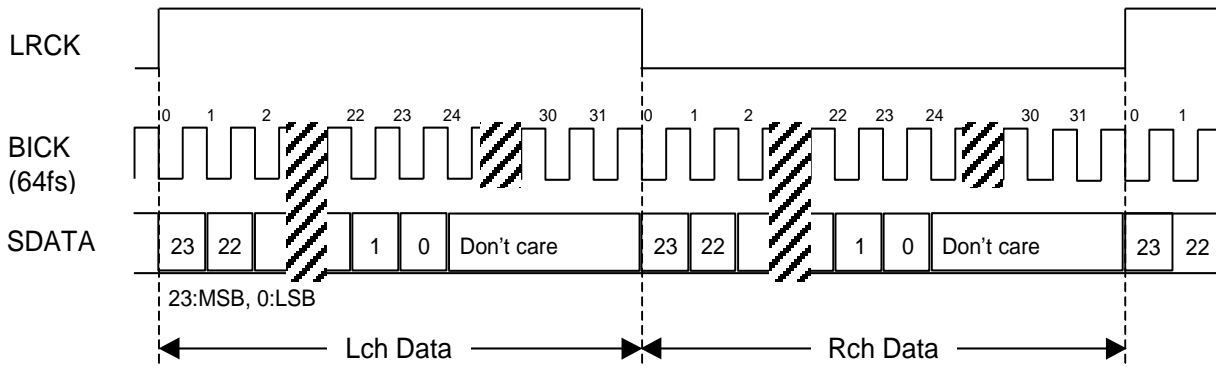


Figure 13. Mode 2 Timing

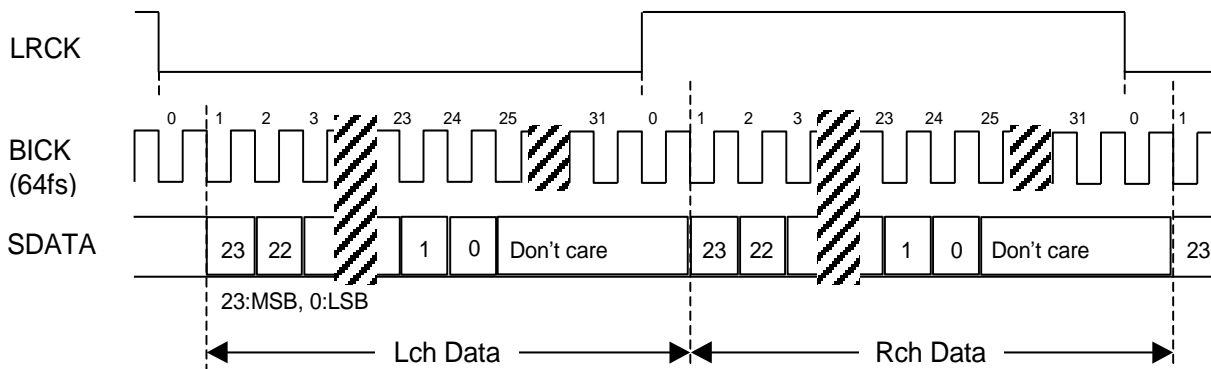


Figure 14. Mode 3 Timing



**[2] DSD Mode**

In case of DSD mode, DIF2-0 pins and DIF2-0 bits are ignored. The frequency of DCLK is selected between 64fs, 128fs and 256fs. DCKB bit can invert the polarity of DCLK. Phase modulation function is not available in 256fs mode.

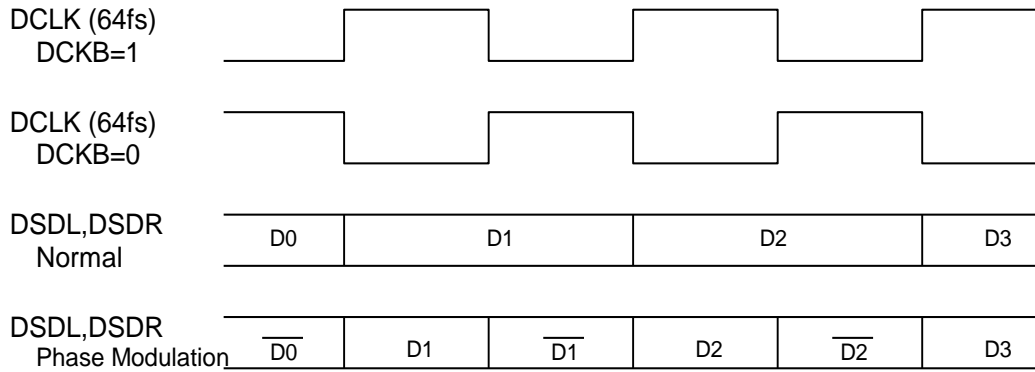


Figure 18. DSD Mode Timing

**[3] External Digital Filter Mode (EX DF I/F Mode)**

DW indicates the number of BCK in one WCK cycle. The audio data is input by MCLK, BCK and WCK from the DINL and DINR pins. Three formats are available (Table 23) by DIF2-0 bits setting. The data is latched on the rising edge of BCK. The BCK and MCLK clocks must be the same frequency and must not burst. BCK and MCLK frequencies for each sampling speed are shown in Table 22.

Table 22. System Clock Example (EX DF I/F mode) (N/A: Not available)

Sampling Speed[kHz]	MCLK&BCK [MHz]						WCK	ECS	
	128fs	192fs	256fs	384fs	512fs	768fs			
44.1(30~48)	N/A	N/A	N/A	N/A	22.5792	33.8688	16fs	0	(default)
	N/A	N/A	N/A	N/A	32	48	DW		
44.1(30~48)	N/A	N/A	11.2896	16.9344	N/A	33.8688	8fs	1	
	N/A	N/A	32	48	N/A	96	DW		
96(54~96)	N/A	N/A	24.576	36.864	N/A	N/A	8fs	0	
	N/A	N/A	32	48	N/A	N/A	DW		
96(54~96)	12.288	18.432	N/A	36.864	N/A	N/A	4fs	1	
	32	48	N/A	96	N/A	N/A	DW		
192(108~192)	24.576	36.864	N/A	N/A	N/A	N/A	4fs	0	
	32	48	N/A	N/A	N/A	N/A	DW		
192(108~192)	N/A	36.864	N/A	N/A	N/A	N/A	2fs	1	
	N/A	96	N/A	N/A	N/A	N/A	DW		

Table 23. Audio Interface Format (EX DF I/F mode) (N/A: Not available)

Mode	DIF2	DIF1	DIF0	Input Format	
0	0	0	0	16-bit LSB justified	(default)
1	0	0	1	N/A	
2	0	1	0	N/A	
3	0	1	1	N/A	
4	1	0	0	24-bit LSB justified	
5	1	0	1	32-bit LSB justified	
6	1	1	0	N/A	
7	1	1	1	N/A	

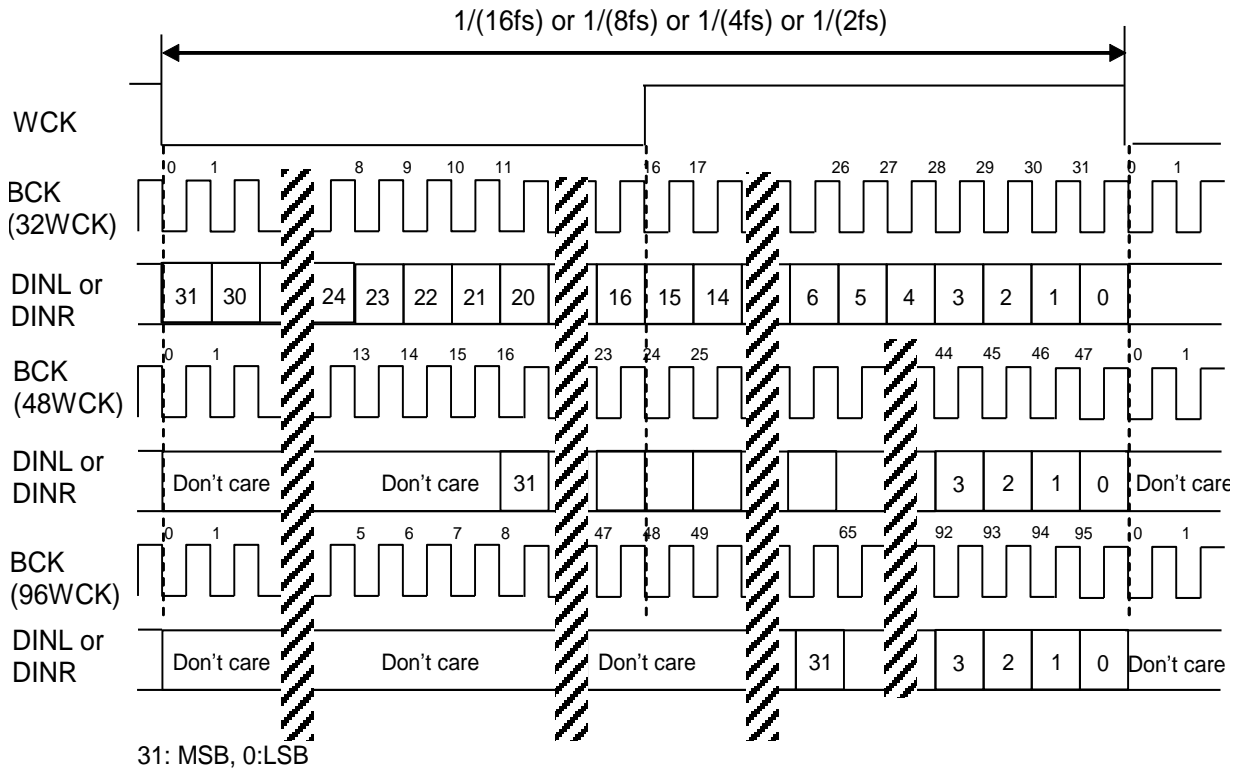


Figure 19. EX DF I/F Mode Timing

■ D/A Conversion Mode Switching Timing

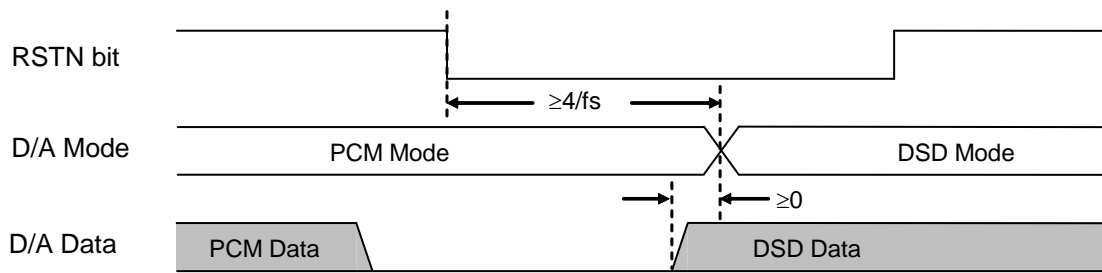


Figure 20. D/A Mode Switching Timing (PCM to DSD)

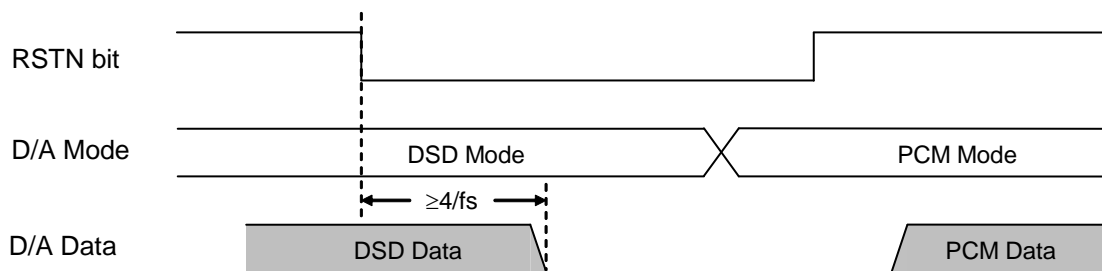


Figure 21. D/A Mode Switching Timing (DSD to PCM)

Note 29. The signal range is identified as 25% ~ 75% duty ratios in DSD mode. DSD signal must not go beyond this duty range at the SACD format book (Scarlet Book).



### ■ De-emphasis Filter

A digital de-emphasis filter is available for 32kHz, 44.1kHz or 48kHz sampling rates ( $t_c = 50/15\mu s$ ) and is enabled or disabled with DEM1-0 pins or DEM1-0 bits. In case of 256fs/384fs and 128fs/192fs, the digital de-emphasis filter is always off. When DSD mode, DEM1-0 bits are ignored. The setting value is held even if PCM mode and DSD mode are switched.

Table 24. De-emphasis Control

DEM1	DEM0	Mode
0	0	44.1kHz
0	1	OFF
1	0	48kHz
1	1	32kHz

(default)

### ■ Output Volume (PCM, DSD)

The AK4490EN includes channel independent digital output volumes (ATT) with 256 levels at 0.5dB step including MUTE. This volume control is in front of the DAC and it can attenuate the input data from 0dB to -127dB or mute. When changing output levels, it is executed in soft transition thus no switching noise occurs during these transitions. It takes  $7395/f_s$  from FFH (0dB) to 00H (MUTE). The attenuation level is initialized to FFH by setting to PDN pin = "L". Register setting values will be kept even switching the PCM and DSD modes.

Table 25. ATT Transition Time

Sampling Speed	Transition Time
	0dB to MUTE
$f_s=44.1kHz$	168.3ms
$f_s=96kHz$	77.3ms
$f_s=192kHz$	38.6ms

### ■ Zero Detection (PCM, DSD, EX DF I/F)

The AK4490EN has a channel-independent zeros detect function. When the input data at each channel is continuously zeros for 8192 LRCK cycles, the DZF pin of each channel goes to “H”. The DZF pin of each channel immediately returns to “L” if the input data of each channel is not zero after going to “H”. If the RSTN bit is “0”, the DZF pins of both L and R channels go to “H”. The DZF pin of each channel returns to “L” in  $4 \sim 5/f_s$  after the input data of each channel becomes “1” when RSTN bit is set to “1”. If DZFM bit is set to “1”, the DZF pins of both L and R channels go to “H” only when the input data for both channels are continuously zeros for 8192 LRCK cycles. The zero detect function can be disabled by setting the DZFE bit. In this case, DZF pins of both channels are always “L”. The DZFB bit can invert the polarity of the DZF pin.

Table 26. Zero Detect Function and DZF Pin Output

DZFE	DZFB	Data	DZF-pin
0	0	-	L
	1	-	H
1	0	not zero	L
		Zero detect	H
	1	not zero	H
		Zero detect	L

### ■ Mono Output (PCM, DSD, EX DF I/F)

The AK4490EN can select input/output for both output channels by setting the MONO bit and SELLR bit. This function is available for any audio format.

Table 27 MONO Mode Output Select

MONO bit	SELLR bit	Lch Out	Rch Out
0	0	Lch In	Rch In
0	1	Rch In	Lch In
1	0	Lch In	Lch In
1	1	Rch In	Rch In

### ■ Sound Quality Control (PCM, DSD, Ex DF I/F)

Sound quality of the AK4490EN can be selected by SC1-0 bits.

Table 28. SC1-0 bits Control

SC1	SC0	Mode
0	0	Sound Setting 1
0	1	Sound Setting 2
1	0	Sound Setting 3
1	1	Reserved

(default)

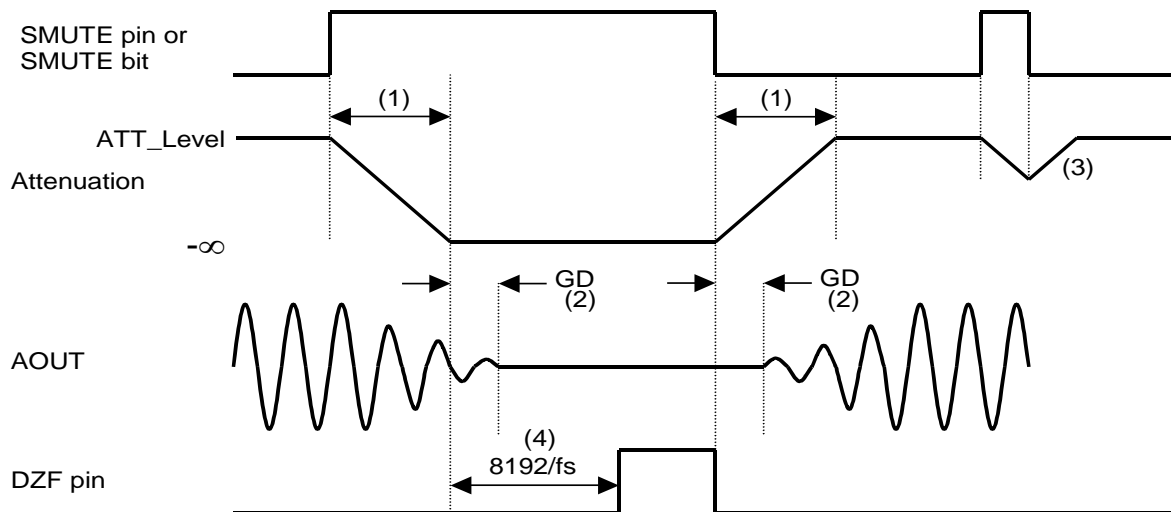
### ■ Characteristics (DSD)

(Ta=25°C; AVDD=DVDD=3.3V; AVSS=DVSS=VSSL/R=0V; VREFHL/R=VDDL/R=5V, VREFLL/R=VSSL/R=0V; Input data = 24bit;  $R_L \geq 1k\Omega$ ; Signal Frequency = 1kHz; Sampling Frequency = 44.1kHz; Measurement bandwidth = 20Hz ~ 20kHz; External Circuit: [Figure 41](#); unless otherwise specified.)

Dynamic Characteristics				
THD+N	DSD data stream 2.8224MHz	0dBFS	-110	dB
	DSD data stream 5.6448MHz	0dBFS	-110	dB
	DSD data stream 11.2896MHz	0dBFS	-110	dB
S/N (A-weighted, Normal path)		Digital "0"	120	dB
DC Accuracy				
Output Voltage (Normal path )			±2.8	V <sub>pp</sub>
Output Voltage (Volume pass )			±1.87	V <sub>pp</sub>

## ■ Soft Mute Operation (PCM, DSD)

The soft mute operation is performed at digital domain. When the SMUTE pin goes to “H” or the SMUTE bit set to “1”, the output signal is attenuated by  $-\infty$  during  $ATT\_DATA \times ATT$  transition time from the current ATT level. When the SMUTE pin is returned to “L” or the SMUTE bit is returned to “0”, the mute is cancelled and the output attenuation gradually changes to the ATT level during  $ATT\_DATA \times ATT$  transition time. If the soft mute is cancelled before attenuating  $-\infty$  after starting the operation, the attenuation is discontinued and returned to ATT level by the same cycle. The soft mute is effective for changing the signal source without stopping the signal transmission.



Note 30.

- (1)  $ATT\_DATA \times ATT$  transition time. For example, this time is 7395LRCK cycles at  $ATT\_DATA=255$  in Normal Speed Mode.
- (2) The analog output corresponding to the digital input has group delay (GD).
- (3) If the soft mute is cancelled before attenuating  $-\infty$  after starting the operation, the attenuation is discontinued and returned to ATT level by the same cycle.
- (4) When the input data for each channel is continuously zeros for 8192 LRCK cycles, the DZF pin for each channel goes to “H”. The DZF pin immediately returns to “L” if input data are not zero.

Figure 22. Soft Mute Function

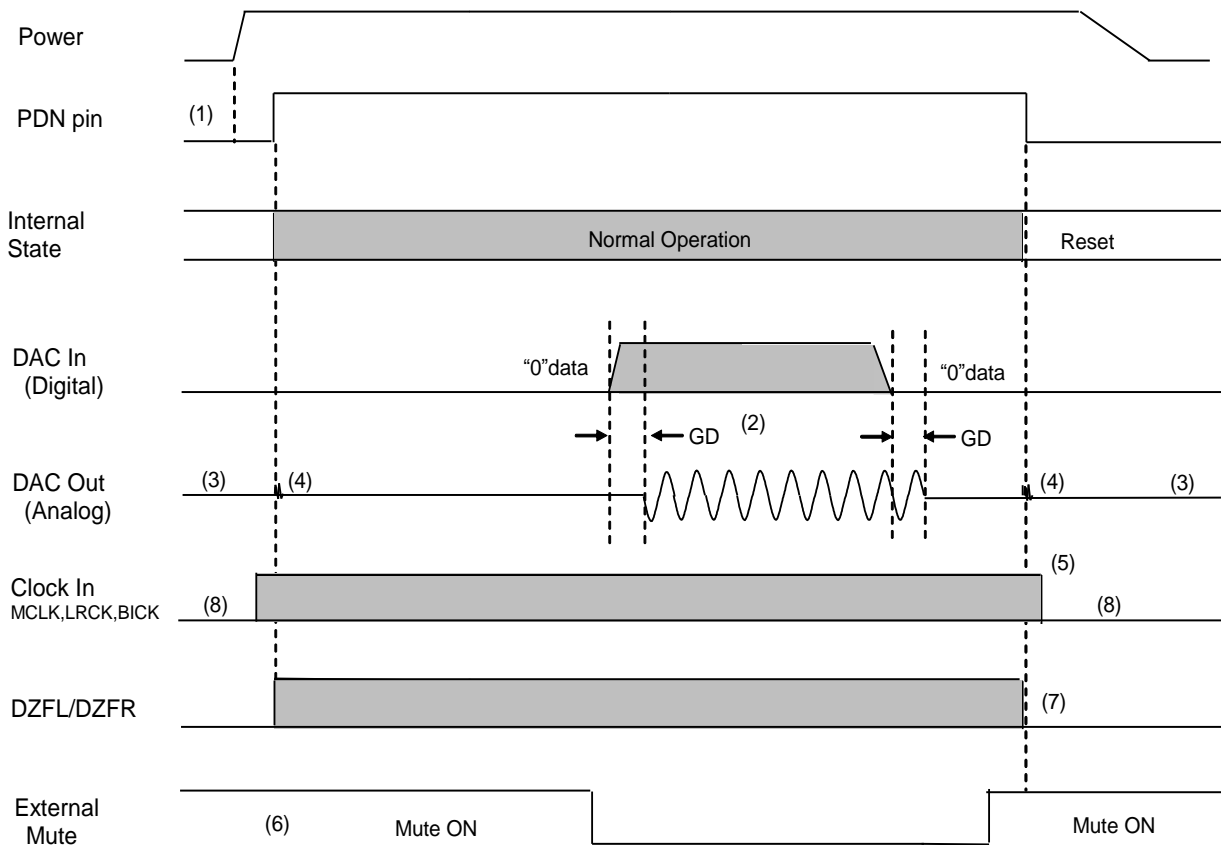
## ■ System Reset

The AK4490EN should be reset once by bringing the PDN pin = “L” upon power-up. It initializes register settings of the device. The analog block of the AK4490EN exits power-down mode by MCLK input, and the digital block exits power-down mode after the internal counter counts MCLK for  $4/fs$ .

## ■ Power ON/OFF timing

The AK4490EN is placed in the power-down mode by bringing the PDN pin “L” and the registers are initialized. The analog outputs are floating (Hi-Z). As some click noise occurs at the edge of the PDN pin signal, the analog output should be muted externally if the click noise influences system application.

The DAC can be reset by setting RSTN bit to “0”. In this case, registers are not initialized and the corresponding analog outputs go to VCML/R. As some click noise occurs at the edge of RSTN signal, the analog output should be muted externally if click noise adversely affect system performance.



### Note 31.

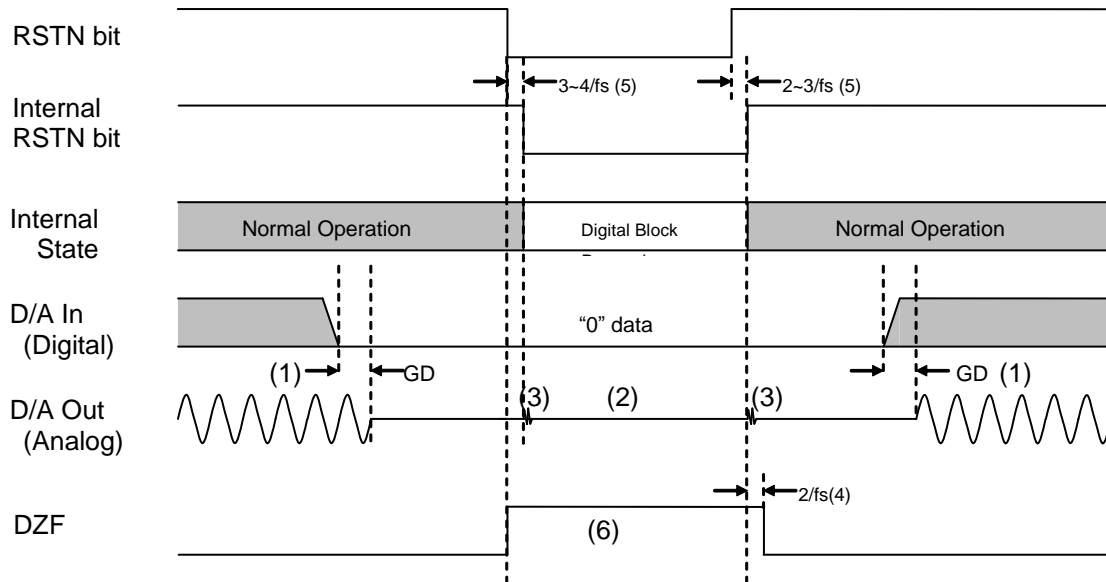
- (1) Digital and analog power supply should be powered up at the same time, otherwise power up the 1.8V base power supplies (TVDD) at first, the 3.3V base power supplies secondarily (DVDD, AVDD) and 5V base power supplies finally (VDDL/R, VREFHL/R). After TVDD, AVDD and DVDD reach to 90%VDD, the PDN pin should be “L” for 150ns or more.
- (2) The analog output corresponding to digital input has group delay (GD).
- (3) Analog outputs are floating (Hi-Z) in power-down mode.
- (4) Click noise occurs at the edge of PDN signal. This noise is output even if “0” data is input.
- (5) MCLK, BICK and LRCK clocks can be stopped in power-down mode (PDN pin= “L”).
- (6) Mute the analog output externally if click noise (4) adversely affect system performance. The timing example is shown in this figure.
- (7) DZFL/R pins are “L” in the power-down mode (PDN pin = “L”).
- (8) Clocks should be input after power supplies are powered up.

Figure 23. Power-down/up Sequence Example

## ■ Reset Function

### (1) RESET by RSTN bit = "0"

When the RSTN bit = "0", the AK4490EN's digital block is powered down, but the internal register values are not initialized. In this time, the analog outputs go to VCML/R voltage and DZFL/DZFR pins are "H". [Figure 24](#) shows an example of reset by RSTN bit.



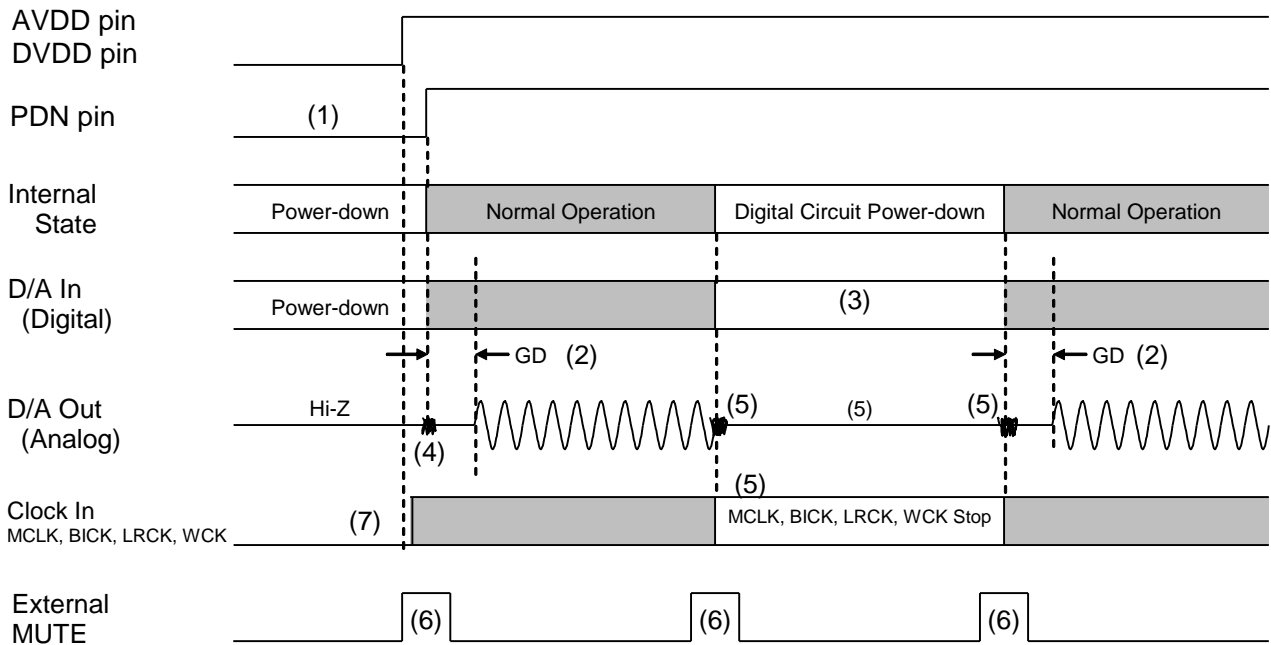
#### Note 32.

- (1) The analog output corresponding to digital input has group delay (GD).
- (2) Analog outputs settle to VCOM voltage.
- (3) Small pop noise occurs at the edges ("↑ ↓") of the internal timing of RSTN bit. This noise is output even if "0" data is input.
- (4) The DZF pins change to "H" when the RSTN bit becomes "0", and return to "L" at  $2/f_s$  after RSTN bit becomes "1".
- (5) There is a delay,  $3\sim 4/f_s$  from RSTN bit "0" to the internal RSTN bit "0", and  $2\sim 3/f_s$  from RSTN bit "1" to the internal RSTN bit "1".
- (6) Mute the analog output externally if click noise (3) and Hi-Z (2) adversely affect system performance

Figure 24. Reset Sequence Example 1

## (2) RESET by MCLK or LRCK/WCK Stop

The AK4490EN is automatically placed in reset state when MCLK or LRCK is stopped during PDM mode (PDN pin = "H"), and the analog outputs are floating (Hi-Z). When MCLK and LRCK are input again, the AK4490EN exits reset state and starts the operation. Zero detect function is disable when MCLK or LRCK is stopped. In DSD mode the AK4490EN is in reset state when MCLK is stopped, and it is in reset state when MCLK or WCK are stopped in external digital filter mode.



## Note 33.

- (1) After AVDD and DVDD are powered-up, the PDN pin should be "L" for 150ns.
- (2) The analog output corresponding to digital input has group delay (GD).
- (3) The digital data can be stopped. Click noise after MCLK and LRCK are input again can be reduced by inputting "0" data during this period.
- (4) Click noise occurs within 3 ~ 4LRCK cycles from the rising edge ("↑") of the PDN pin or MCLK inputs. This noise occurs even when "0" data is input.
- (5) Clocks (MCLK, BICK, LRCK/WCK) can be stopped in the reset state (MCLK or LRCK/WCK is stopped).
- (6) Mute the analog output externally if click noise (4) and (5) influences system applications. The timing example is shown in this figure.
- (7) Clocks should be input after power supplies are powered up.

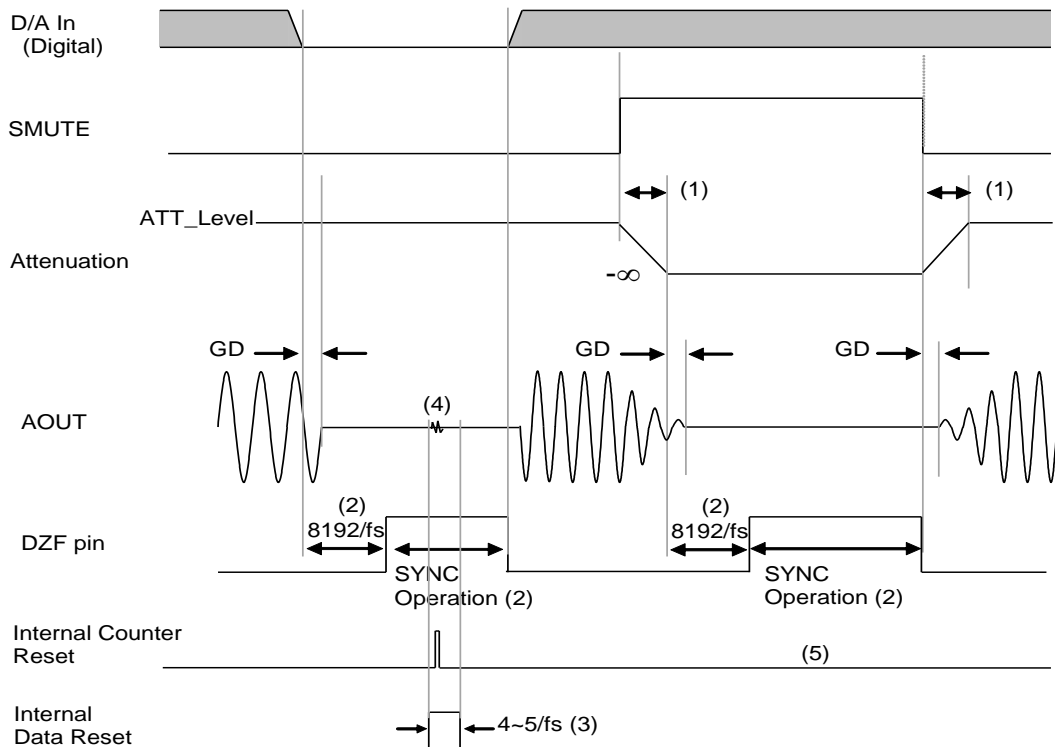
Figure 25. Reset Sequence Example 2

## ■ Synchronize Function

The AK4490EN has a function that resets the internal counter to synchronize with the external clock edge (LRCK) in a range of  $3/256f_s$ . Clock synchronize function becomes valid if SYNC bit is set to "1" during operation in PCM mode or EXDF mode and input data of both L and R channels are "0" for 8129 times continuously or RSTN bit is "1". In PCM mode, the internal counter is synchronized with a falling edge of LRCK (rising edge of LRCK in I2C mode), and it is synchronized with a falling edge of WCK in EXDF mode. In this case, the analog output has the same voltage as VCML/R. Figure 26 shows a synchronizing sequence when the input data is "0" for 8192 times continuously. Figure 27 shows a synchronizing sequence by RSTN bit.

### (1) Synchronization by continuous "0" data input for 8192 times

If the input data is "0" for 8192 times continuously, or if the data becomes "0" for 8192 times continuously by attenuation, the DZFL/DZFR pin goes to "H" and the synchronize function becomes valid. The synchronize function is enabled only when both L and R channels data are "0" for 8192 times continuously. Figure 26 shows a synchronizing sequence when the input data is "0" for 8192 times continuously.



#### Note 34.

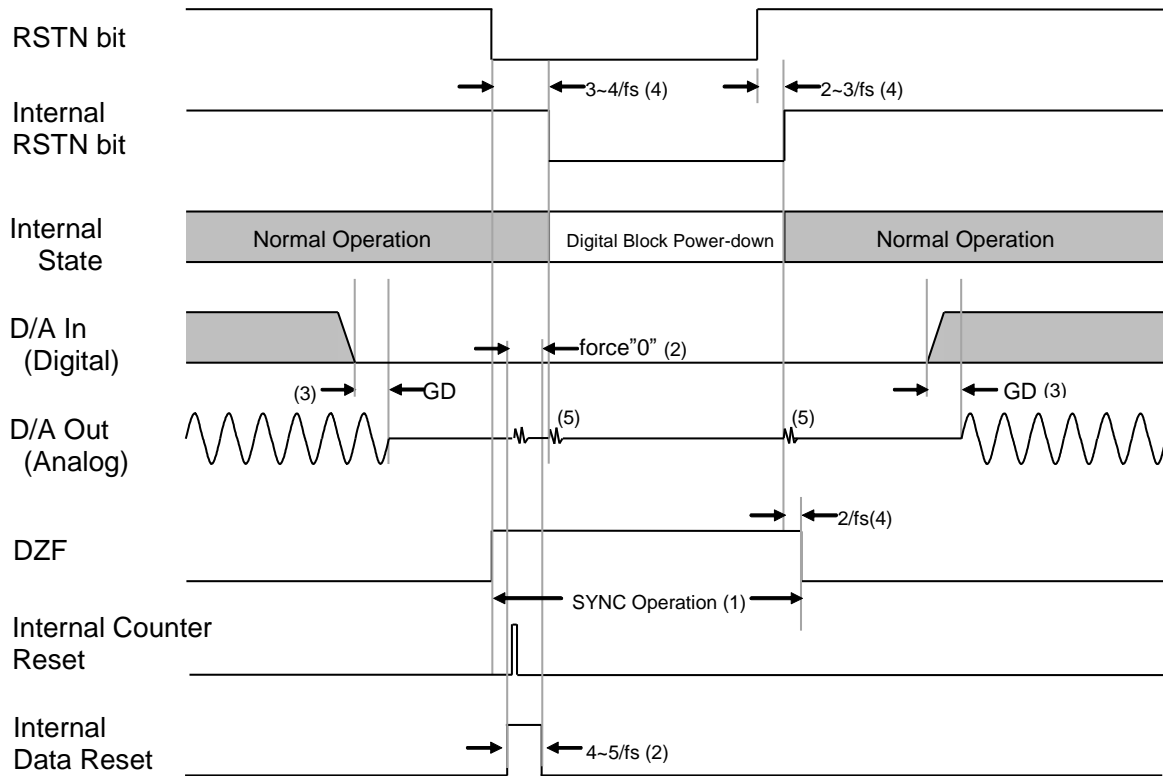
- (1)  $ATT\_DATA \times ATT$  transition time. For example, this time is 7395LRCK cycles (1020/fs) at  $ATT\_DATA=255$  in Normal Speed Mode.
- (2) When both L and R channels data are "0" for 8192 times continuously, DZFL/R pins become "H" and the synchronize function is valid.
- (3) Internal data is fixed to "0" forcibly for 4 to 5/fs when internal counter is reset.
- (4) A click noise may occur when the internal counter is reset. This noise is output even if a "0" data is input. Mute the analog output externally if this click noise affects the system performance.
- (5) When the internal clock and external clock are in synchronization, the internal counter is not reset even if the synchronize function is valid.

Figure 26. Synchronizing Sequence by Continuous "0" Data Input for 8192 Times



## (2) Synchronization by RSTN bit

If RSTN bit is set to "0", the output signal of the DZFL/DZFR pin becomes "H". Then, the DAC is reset 3 to 4/fs after the DZFL/DZFR pin = "H" and the analog output becomes the same voltage as VCML/R. The synchronize function becomes valid when both of the DZFL and DZFR pins output "H". Figure 27 shows a synchronizing sequence by RSTN bit.



## Note 35.

- (1) DZFL/R pin becomes "H" by a rising edge of RSTN bit, and becomes "L"  $2/f_s$  after a falling edge of internal signal of RSTN bit. The synchronize function is valid During the DZFL/R pin = "H".
- (2) Internal data is fixed to "0" forcibly for 4 to  $5/f_s$  when the internal counter is reset.
- (3) Since the analog output corresponding to digital input has group delay (GD), it is recommended to have a no-input period longer than the group delay before writing "0" to RSTN bit.
- (4) It takes 3 to  $4/f_s$  when falling to change the internal RSTN signal of the LSI after writing to RSTN bit. It also takes 3 to  $4/f_s$  when rising to change the internal RSTN signal of the LSI. The synchronize function becomes valid immediately when "0" is written to RSTN bit. Therefore, there is a case that the internal counter is reset before internal RSTN signal of the LSI is changed.
- (5) A click noise occurs on the rising or falling edge of the internal RSTN signal and when the internal counter is reset. This noise is output even if a "0" data is input. Mute the analog output externally if this click noise affects the system performance.

Figure 27. Synchronizing Sequence by RSTN bit

■ Register Control Interface

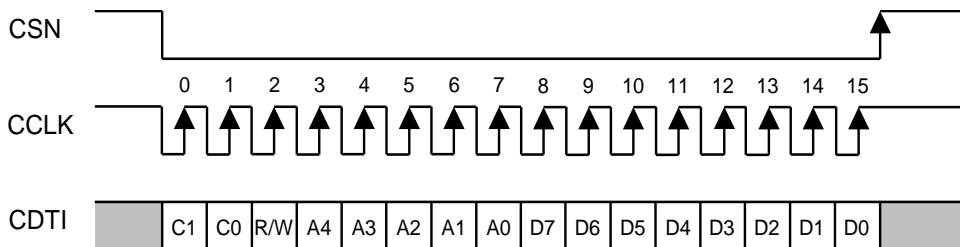
(1) 3-wire Serial Control Mode (I2C pin = “L”)

Pins (parallel control mode) or registers (serial control mode) can control the functions of the AK4490EN. In parallel control mode, the register setting is ignored, and in serial control mode the pin settings are ignored. When the state of the PSN pin is changed, the AK4490EN should be reset by the PDN pin. The serial control interface is enabled by the PSN pin = “L”. Internal registers may be written to through 3-wire  $\mu$ P interface pins: CSN, CCLK and CDTI. The data on this interface consists of Chip address (2-bits, C1/0), Read/Write (1-bit; fixed to “1”), Register address (MSB first, 5-bits) and Control data (MSB first, 8-bits). The data is output on a falling edge of CCLK and the data is received on a rising edge of CCLK. The writing of data is valid when CSN “ $\uparrow$ ”. The clock speed of CCLK is 5MHz (max).

Table 29. Function List1 (Y: Available, -: Not available)

Function	Parallel Control Mode	Serial Control Mode
Audio Format	Y	Y
Auto Setting Mode	Y	Y
De-emphasis	Y	Y
SMUTE	Y	Y
DSD Mode	-	Y
EX DF I/F	-	Y
Zero Detection	-	Y
Sharp Roll off filter	Y	Y
Slow Roll off filter	Y	Y
Minimum delay Filter	Y	Y
Digital Attenuator	-	Y

Setting the PDN pin to “L” resets the registers to their default values. In serial control mode, the internal timing circuit is reset by the RSTN bit, but the registers are not initialized.



C1-C0: Chip Address (C1 bit =CAD1 pin, C0 bit =CAD0 pin)  
 R/W: READ/WRITE (Fixed to “1”, Write only)  
 A4-A0: Register Address  
 D7-D0: Control Data

Figure 28. Control I/F Timing

- \* The AK4490EN does not support read commands in 3-wire serial control mode.
- \* When the AK4490EN is in power down mode (PDN pin = “L”), writing into control registers is prohibited.
- \* The control data cannot be written when the CCLK rising edge is 15 times or less or 17 times or more during CSN is “L”.

(2) I<sup>2</sup>C-bus Control Mode (I2C pin = "H")

The AK4490EN supports the fast-mode I<sup>2</sup>C-bus (max: 400kHz, Ver 1.0).

(2)-1. WRITE Operations

Figure 29 shows the data transfer sequence for the I<sup>2</sup>C-bus mode. All commands are preceded by a START condition. A HIGH to LOW transition on the SDA line while SCL is HIGH indicates a START condition (Figure 35). After the START condition, a slave address is sent. This address is 7 bits long followed by the eighth bit that is a data direction bit (R/W). The most significant five bits of the slave address are fixed as "00100". The next bits are CAD1 and CAD0 (device address bits). This bit identifies the specific device on the bus. The hard-wired input pin (CAD1 pins, CAD0 pin) sets these device address bits (Figure 30). If the slave address matches that of the AK4490EN, the AK4490EN generates an acknowledge and the operation is executed. The master must generate the acknowledge-related clock pulse and release the SDA line (HIGH) during the acknowledge clock pulse (Figure 36). A R/W bit value of "1" indicates that the read operation is to be executed, and "0" indicates that the write operation is to be executed.

The second byte consists of the control register address of the AK4490EN and the format is MSB first. (Figure 31). The data after the second byte contains control data. The format is MSB first, 8bits (Figure 32). The AK4490EN generates an acknowledge after each byte is received. Data transfer is always terminated by a STOP condition generated by the master. A LOW to HIGH transition on the SDA line while SCL is HIGH defines a STOP condition (Figure 35).

The AK4490EN can perform more than one byte write operation per sequence. After receipt of the third byte the AK4490EN generates an acknowledge and awaits the next data. The master can transmit more than one byte instead of terminating the write cycle after the first data byte is transferred. After receiving each data packet the internal address counter is incremented by one, and the next data is automatically taken into the next address. If the address exceeds "09H" prior to generating a stop condition, the address counter will "roll over" to "00H" and the previous data will be overwritten.

The data on the SDA line must remain stable during the HIGH period of the clock. HIGH or LOW state of the data line can only be changed when the clock signal on the SCL line is LOW (Figure 37) except for the START and STOP conditions.

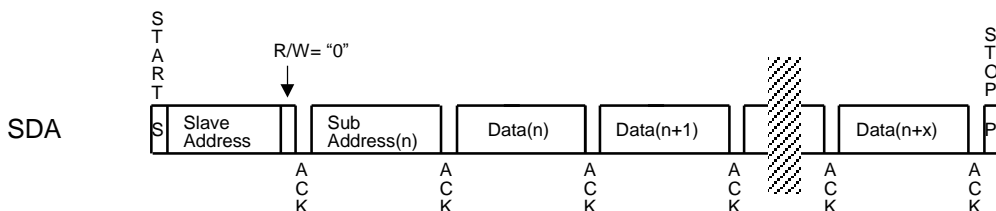


Figure 29. Data Transfer Sequence at I<sup>2</sup>C Bus Mode

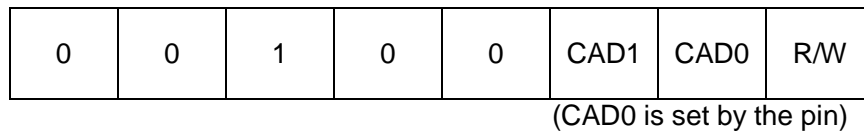


Figure 30. The First Byte

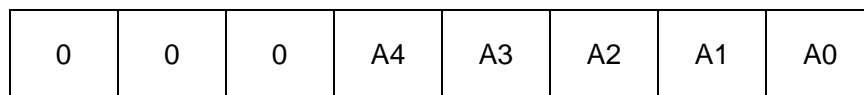


Figure 31. The Second Byte

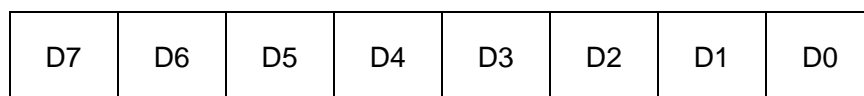


Figure 32. The Third Byte and After The Third Byte

(2)-2. READ Operations

Set the R/W bit = "1" for the READ operation of the AK4490EN. After transmission of data, the master can read the next address's data by generating an acknowledge instead of terminating the write cycle after the receipt of the first data word. After receiving each data packet the internal address counter is incremented by one, and the next data is automatically taken into the next address. If the address exceeds "09H" prior to generating stop condition, the address counter will "roll over" to "00H" and the data of "00H" will be read out.

The AK4490EN supports two basic read operations: Current Address Read and Random Address Read.

(2)-2-1. Current Address Read

The AK4490EN has an internal address counter that maintains the address of the last accessed word incremented by one. Therefore, if the last access (either a read or write) were to address "n", the next CURRENT READ operation would access data from the address "n+1". After receipt of the slave address with R/W bit "1", the AK4490EN generates an acknowledge, transmits 1-byte of data to the address set by the internal address counter and increments the internal address counter by 1. If the master does not generate an acknowledge but generates a stop condition instead, the AK4490EN ceases the transmission.

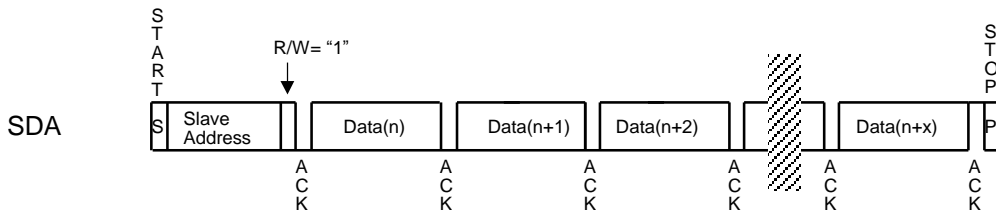


Figure 33. Current Address Read

(2)-2-2. Random Address Read

The random read operation allows the master to access any memory location at random. Prior to issuing the slave address with the R/W bit "1", the master must first perform a "dummy" write operation. The master issues a start request, a slave address (R/W bit = "0") and then the register address to read. After the register address is acknowledged, the master immediately reissues the start request and the slave address with the R/W bit "1". The AK4490EN then generates an acknowledge, 1 byte of data and increments the internal address counter by 1. If the master does not generate an acknowledge but generates a stop condition instead, the AK4490EN ceases the transmission.

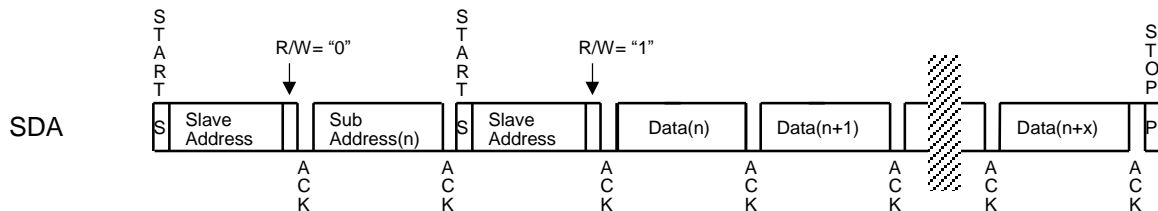


Figure 34. Random Address Read

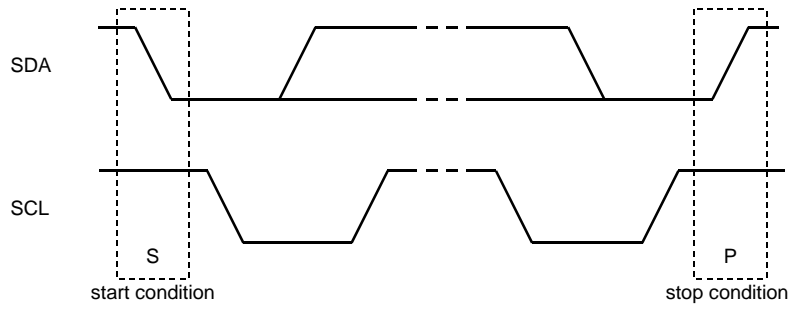


Figure 35. Start Condition and Stop Condition

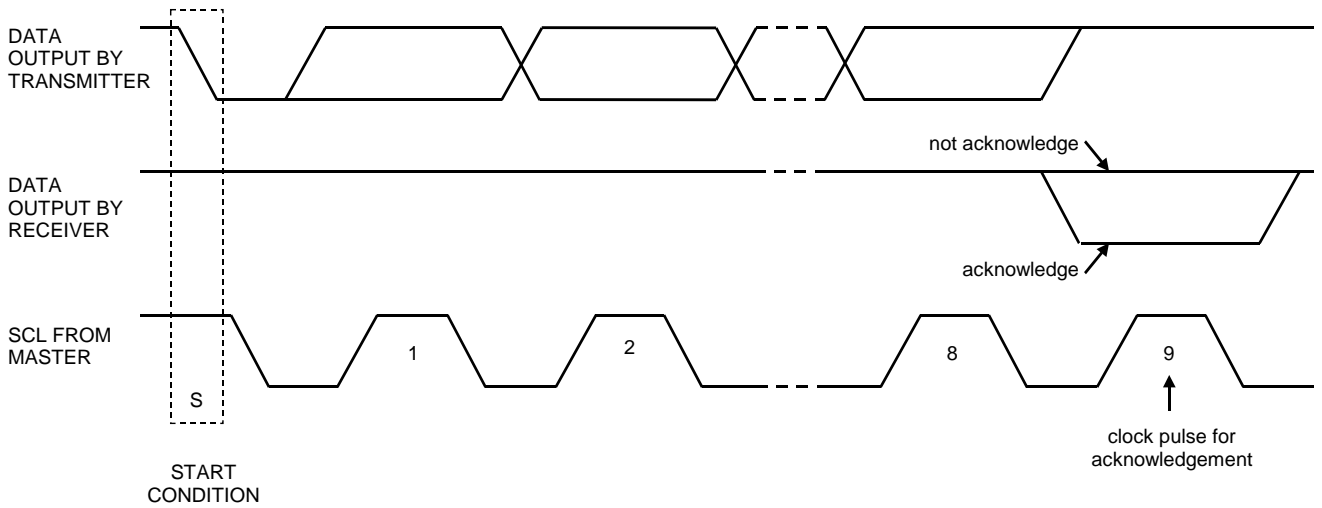


Figure 36. Acknowledge (I<sup>2</sup>C Bus)

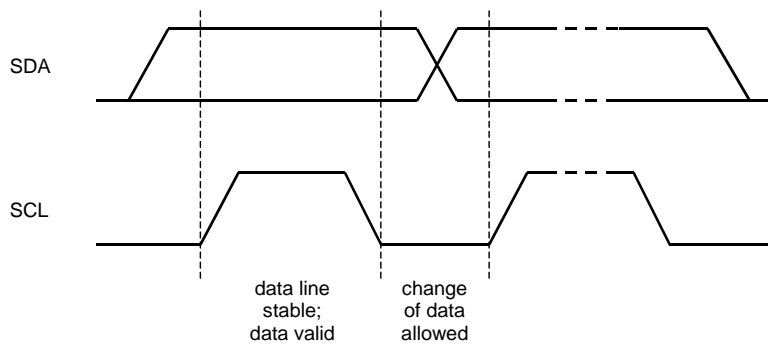


Figure 37. Bit Transfer (I<sup>2</sup>C Bus)

## Function List

Table 30. Function List (Y: Available, -: Not available)

Function	Default	Address	Bit	PCM	DSD	EX DF I/F
Attenuation Level	0dB	03H 04H	ATT7-0	Y	Y	-
External Digital Filter I/F Mode	Disable	00H	EXDF	Y	-	Y
EX DF I/F mode clock setting	16fs(fs=44.1kHz)	00H	ESC	-	-	Y
Audio Data Interface Modes	24bit MSB justified	00H	DIF2-0	Y	-	Y
Data Zero Detect Enable	Disable	01H	DZFE	Y	Y	-
Data Zero Detect Mode	Separated	01H	DZFM	Y	Y	-
Minimum delay Filter Enable	Sharp roll-off filter	01H	SD	Y	-	-
De-emphasis Response	OFF	01H	DEM1-0	Y	-	-
Soft Mute Enable	Normal Operation	01H	SMUTE	Y	Y	-
DSD/PCM Mode Select	PCM mode	02H	DP	Y	Y	-
Master Clock Frequency Select at DSD mode	512fs	02H	DCKS	-	Y	-
MONO mode Stereo mode select	Stereo	02H	MONO	Y	Y	Y
Inverting Enable of DZF	"H" active	02H	DZFB	Y	Y	-
The data selection of L channel and R channel	R channel	02H	SELLR	Y	Y	Y

## ■ Register Map

Addr	Register Name	D7	D6	D5	D4	D3	D2	D1	D0
00H	Control 1	ACKS	EXDF	ECS	0	DIF2	DIF1	DIF0	RSTN
01H	Control 2	DZFE	DZFM	SD	DFS1	DFS0	DEM1	DEM0	SMUTE
02H	Control 3	DP	0	DCKS	DCKB	MONO	DZFB	SELLR	SLOW
03H	Lch ATT	ATT7	ATT6	ATT5	ATT4	ATT3	ATT2	ATT1	ATT0
04H	Rch ATT	ATT7	ATT6	ATT5	ATT4	ATT3	ATT2	ATT1	ATT0
05H	Control4	INVL	INVR	0	0	0	0	DFS2	SSLOW
06H	Control5	DDM	DML	DMR	DMC	DMRE	0	DSDD	DSDSEL0
07H	Control6	0	0	0	0	0	0	0	SYNCE
08H	Control7	0	0	0	0	0	0	SC1	SC0
09H	Control8	0	0	0	0	0	0	DSDf	DSDSEL1

Note 36.

In 3-wire serial control mode, the AK4490EN does not support read commands.

The AK4490EN supports read command in I<sup>2</sup>C-bus control mode.

Data must not be written into addresses from 0AH to 1FH.

When the PDN pin goes to "L", the registers are initialized to their default values.

When RSTN bit is set to "0", only the internal timing is reset, and the registers are not initialized to their default values.

When the state of the PSN pin is changed, the AK4490EN should be reset by the PDN pin.

## ■ Register Definitions

Addr	Register Name	D7	D6	D5	D4	D3	D2	D1	D0
00H	Control 1	ACKS	EXDF	ECS	0	DIF2	DIF1	DIF0	RSTN
	R(I2C)/W	R/W	R/W	R/W	R	R/W	R/W	R/W	R/W
	Default	0	0	0	0	0	1	0	0

RSTN: Internal Timing Reset

0: Reset. All registers are not initialized. (default)

1: Normal Operation

Writing "0" to this bit resets the internal timing circuit but register values are not initialized.

When the PSN pin = "H", the AK4490EN operates regardless of this register setting.

DIF2-0: Audio Data Interface Modes ([Table 21](#))

Initial value is "010" (Mode 2: 24-bit MSB justified).

ECS: EX DF I/F mode clock setting ([Table 22](#))

0: WCK=768kHz mode (default)

1: WCK=384kHz mode

EXDF: External Digital Filter I/F Mode (Serial mode only)

0: Disable: Internal Digital Filter mode (default)

1: Enable: External Digital Filter mode

ACKS: Master Clock Frequency Auto Setting Mode Enable (PCM only)

0: Disable: Manual Setting Mode (default)

1: Enable: Auto Setting Mode

When ACKS bit = "1", MCLK frequency and the sampling frequency are detected automatically.

Addr	Register Name	D7	D6	D5	D4	D3	D2	D1	D0
01H	Control 2	DZFE	DZFM	SD	DFS1	DFS0	DEM1	DEM0	SMUTE
	R(I2C)/W	R/W	R/W	R/W	R/W	R/W	R/W	R/W	R/W
	Default	0	0	1	0	0	0	1	0

SMUTE: Soft Mute Enable  
 0: Normal Operation (default)  
 1: DAC outputs soft-muted.

DEM1-0: De-emphasis Response  
 Initial value is "01" (OFF).

DFS2-0: Sampling Speed Control (Table 31)  
 Initial value is "000" (Normal Speed). Click noise occurs when DFS2-0 bits are changed.  
 (05H, D1: DFS2 bit)

Table 31. Sampling Speed (Manual Setting Mode @Serial Mode)

DFS2	DFS1	DFS0	Sampling Rate (fs)		
0	0	0	Normal Speed Mode	30kHz ~ 54kHz	(default)
0	0	1	Double Speed Mode	54kHz ~ 108kHz	
0	1	0	Quad Speed Mode	120kHz ~ 216kHz	
0	1	1	Reserved	-	
1	0	0	Oct Speed Mode	384kHz	
1	0	1	Hex Speed Mode	768kHz	
1	1	0	Reserved	-	
1	1	1	Reserved	-	

SD: Minimum delay Filter Enable  
 0: Traditional filter  
 1: Short delay filter (default)

Table 32. Digital Filter Setting

SSLOW bit	SD bit	SLOW bit	Mode	
0	0	0	Sharp roll-off filter	
0	0	1	Slow roll-off filter	
0	1	0	Short delay Sharp roll-off filter	(default)
0	1	1	Short delay Slow roll-off filter	
1	-	-	Super Slow roll-off filter	

DZFM: Data Zero Detect Mode  
 0: Channel Separated Mode (default)  
 1: Channel ANDed Mode  
 If the DZFM bit is set to "1", the DZF pins of both L and R channels go to "H" only when the input data at both channels are continuously zeros for 8192 LRCK cycles.

DZFE: Data Zero Detect Enable  
 0: Disable (default)  
 1: Enable  
 Zero detect function can be disabled by DZFE bit "0". In this case, the DZF pins of both channels are always "L".



Addr	Register Name	D7	D6	D5	D4	D3	D2	D1	D0
02H	Control 3	DP	0	DCKS	DCKB	MONO	DZFB	SELLR	SLOW
	R(I2C)/W	R/W	R	R/W	R/W	R/W	R/W	R/W	R/W
	Default	0	0	0	0	0	0	0	0

SLOW: Slow Roll-off Filter Enable  
 0: Sharp roll-off filter (default)  
 1: Slow roll-off filter

Table 33. Digital Filter Setting

SSLOW bit	SD bit	SLOW bit	Mode
0	0	0	Sharp roll-off filter
0	0	1	Slow roll-off filter
0	1	0	Short delay Sharp roll-off filter
0	1	1	Short delay Slow roll-off filter
1	-	-	Super Slow roll-off filter

(default)

SELLR: The data selection of L channel and R channel

Table 34 MONO Mode Output Select

MONO bit	SELLR bit	Lch Out	Rch Out
0	0	Lch In	Rch In
0	1	Rch In	Lch In
1	0	Lch In	Lch In
1	1	Rch In	Rch In

(default)

DZFB: Inverting Enable of DZF  
 0: DZF pin goes "H" at Zero Detection (default)  
 1: DZF pin goes "L" at Zero Detection

Table 35. Zero Detect Function and DZF Pin Output

DZFE	DZFB	Data	DZF-pin
0	0	-	L
	1	-	H
1	0	not zero	L
		Zero detect	H
	1	not zero	H
		Zero detect	L

MONO: MONO mode Stereo mode select  
 0: Stereo mode (default)  
 1: MONO mode  
 When MONO bit is "1", MONO mode is enabled.

DCKB: Polarity of DCLK (DSD Only)  
 0: DSD data is output from DCLK falling edge. (default)  
 1: DSD data is output from DCLK rising edge.

DCKS: Master Clock Frequency Select at DSD mode (DSD only)  
 0: 512fs (default)  
 1: 768fs

DP: DSD/PCM Mode Select  
 0: PCM Mode (default)  
 1: DSD Mode  
 When DP bit is changed, the AK4490EN should be reset by RSTN bit.

Addr	Register Name	D7	D6	D5	D4	D3	D2	D1	D0
03H	Lch ATT	ATT7	ATT6	ATT5	ATT4	ATT3	ATT2	ATT1	ATT0
04H	Rch ATT	ATT7	ATT6	ATT5	ATT4	ATT3	ATT2	ATT1	ATT0
R(I2C)/W		R/W	R/W	R/W	R/W	R/W	R/W	R/W	R/W
Default		1	1	1	1	1	1	1	1

## ATT7-0: Attenuation Level

255 levels, 0.5dB step + MUTE

Data	Attenuation
FFH	0dB
FEH	-0.5dB
FDH	-1.0dB
:	:
02H	-126.5dB
01H	-127.0dB
00H	MUTE ( $-\infty$ )

The transition between set values is soft transition of 7396 levels. It takes 7395/fs (168ms@fs=44.1kHz) from FFH (0dB) to 00H (MUTE). If the PDN pin goes to "L", the ATTs are initialized to FFH. The ATTs are FFH when RSTN bit="0". When RSTN return to "1", the ATTs fade to their current value. This digital attenuator is independent of soft mute function.

Addr	Register Name	D7	D6	D5	D4	D3	D2	D1	D0
05H	Control 4	INVL	INVR	0	0	0	0	DFS2	SSLOW
R(I2C)/W		R/W	R/W	R	R	R	R	R/W	R/W
Default		0	0	0	0	0	0	0	0

## SSLOW: Super Slow Roll-off Filter Enable

0: Disable (default)  
1: Enable

## DFS2-0: Sampling Speed Control (Table 36)

Initial value is "000" (Normal Speed). Click noise occurs when DFS2-0 bits are changed. (01H, D4, D3: DFS1-0 bits)

Table 36. Sampling Speed (Manual Setting Mode @Serial Mode)

DFS2	DFS1	DFS0	Sampling Rate (fs)		
0	0	0	Normal Speed Mode	30kHz ~ 54kHz	(default)
0	0	1	Double Speed Mode	54kHz ~ 108kHz	
0	1	0	Quad Speed Mode	120kHz ~ 216kHz	
0	1	1	Reserved	-	
1	0	0	Oct Speed Mode	384kHz	
1	0	1	Hex Speed Mode	768kHz	
1	1	0	Reserved	-	
1	1	1	Reserved	-	

INVR: AOUTR Output Phase Inverting  
0: Disable (default)  
1: Enable

INVL: AOUTL Output Phase Inverting  
0: Disable (default)  
1: Enable

Addr	Register Name	D7	D6	D5	D4	D3	D2	D1	D0
06H	Control 5	DDM	DML	DMR	DMC	DMRE	0	DSDD	DSDSEL0
	R(I2C)/W	R/W	R/W	R/W	R/W	R/W	R	R/W	R/W
	Default	0	0	0	0	0	0	0	0

DSDSEL1-0: DSD Sampling Speed Control (See also Control 7 register.)

Table 15. DSD Sampling Speed Control

DSDSEL1 bit	DSDSEL0 bit	DSD data stream	
0	0	2.8224MHz	(default)
0	1	5.6448MHz	
1	0	11.2896MHz	
1	1	Reserved	

DSDD: DSD Play Back Path Control

Table 16. DSD Play Back Mode Control

DSDD	Mode	
0	Normal Path	(default)
1	Volume Bypass	

DMRE:DSD Mute Release

0: Hold (default)

1: Release Mute

This register is only valid when DDM bit = "1" and DMC bit = "1". When the AK4490EN mutes DSD data by DDM and DMC bits settings, the mute is released by setting DMRE bit to "1".

Table 19. Recovery Method to Normal Operation Mode from Full Scale Detection Status

DDM	DMC	DMRE	Status After Detection	
0	*	*	When full scale is detected, Mute function is Disable.	(default)
1	0	*	When full scale is detected, Mute function is Enable. The AK4490EN returns normal operation automatically by a normal signal input.	
1	1	0	When full scale is detected, Mute function is Enable. The AK4490EN keeps mute mode, even if a normal signal is input.	
1	1	1 (Note 28)	When full scale is detected, Mute function is Enable. The AK4490EN returns normal operation, when a normal signal is input and DMRE bit is set "1".	

Note 28. After the AK4490EN returns normal operation, DMRE bit is returned to "0" automatically.

DMC: DSD Mute Control

0: Auto Return (default)

1: Mute Hold (manual return)

This register is only valid when DDM bit = "1". It selects the mute releasing mode of when the DSD data level becomes under full-scale after the AK4490EN mutes DSD data by DDM bit setting.

DMR/DML

This register outputs detection flag when a full scale signal is detected at DSDR/L channel.

DDM: DSD Data Mute

0: Disable (default)

1: Enable

The AK4490EN has an internal mute function that mutes the output when DSD audio data becomes all "1" or all "0" for 2048 Samples (1/fs). DDM bit controls this function.

Addr	Register Name	D7	D6	D5	D4	D3	D2	D1	D0
07H	Control 6	0	0	0	0	0	0	0	SYNCE
	R(I2C)/W	R	R	R	R	R	R	R	R/W
	Default	0	0	0	0	0	0	0	0

SYNCE: Synchronization control

0: Disable (default)

1: Enable

This register enables the function that synchronizes multiple AK4490ENs when using more than one AK4490ENs in a system.

Addr	Register Name	D7	D6	D5	D4	D3	D2	D1	D0
08H	Control 7	0	0	0	0	0	0	SC1	SC0
	R(I2C)/W	R	R	R	R	R	R	R/W	R/W
	Default	0	0	0	0	0	0	0	0

SC1-0: Sound control bit

Table 37. SC1-0 bits Control

SC1	SC0	Sound Mode
0	0	Sound Setting 1
0	1	Sound Setting 2
1	0	Sound Setting 3
1	1	Reserved

(default)

Addr	Register Name	D7	D6	D5	D4	D3	D2	D1	D0
09H	Control 8	0	0	0	0	0	0	DSDF	DSDSEL 1
	R(I2C)/W	R	R	R	R	R	R	R/W	R/W
	Default	0	0	0	0	0	0	0	0

DSDSEL1-0: DSD Sampling Speed Control (See also Control 4 register.)

Table 15. DSD Sampling Speed Control

DSDSEL1	DSDSEL0	DSD data stream
0	0	2.8224MHz
0	1	5.6448MHz
1	0	11.2896MHz
1	1	Reserved

(default)

DSDF: DSD Filter

When DSD bit= "1", the filter characteristics can be switched between 50kHz and 150kHz by DSDF bit.

Table 17. DSD Filter Select

DSD bit	DSDF bit	Cut Off Filter
0	0	50kHz
0	1	Reserved
1	0	50kHz
1	1	150kHz

(default)



Connection with AK8157A

The AK8157A is recommended to use with a premium DAC, the AK4490EN. Circuits for a high quality premium audio solution are shown as below.

In this circuit, a 9.6MHz external clock is input to the AK8157A. MCLK, BCLK and LRCK are generated by the AK8157A. SDATA for the AK4490EN is output from the external DSP in synchronization with BCLK and LRCK.

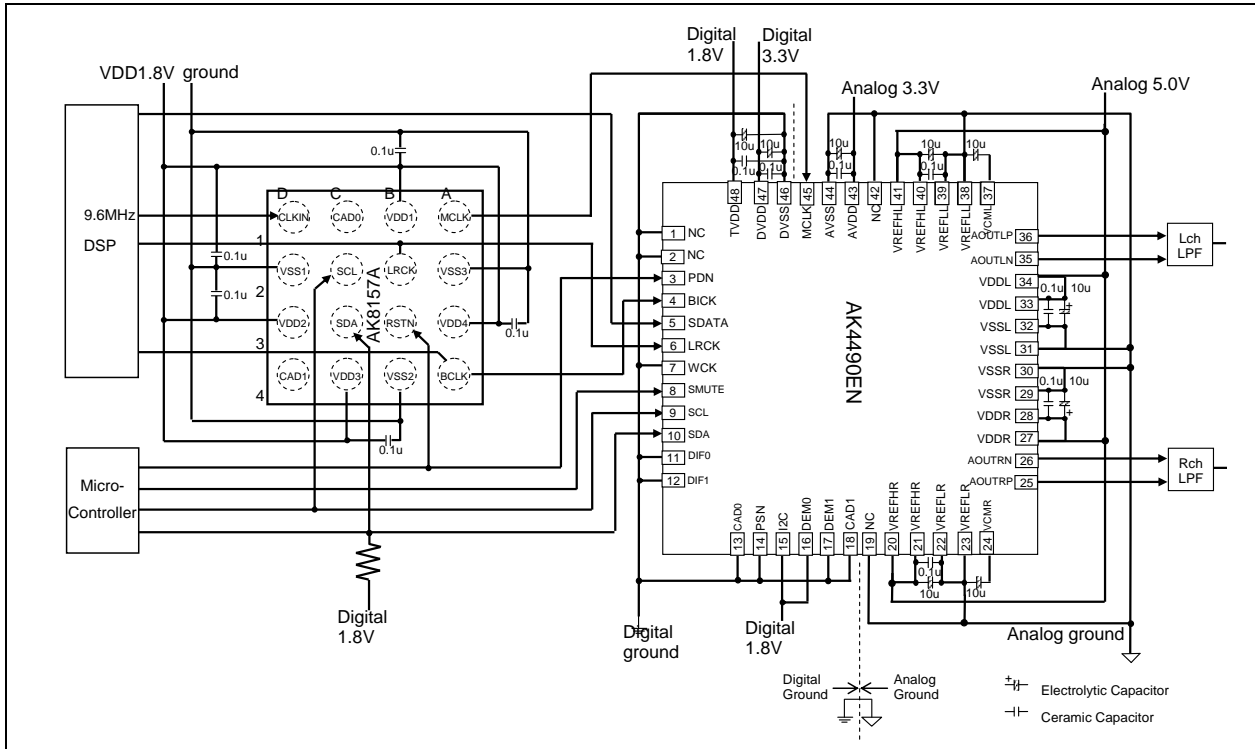


Figure 39. High Quality Premium Audio Solution of the AK4490EN with the AK8157A

## 1. Grounding and Power Supply Decoupling

To minimize coupling by digital noise, decoupling capacitors should be connected to TVDD, DVDD, AVDD and VDDL/R respectively. VDDL/R and VREFHL/R are supplied from analog supply in system, and TVDD, DVDD and AVDD are supplied from digital supply in system. Power lines of TVDD, DVDD, AVDD and VDDL/R and VREFHL/R should be distributed separately from the point with low impedance of regulator etc. Digital and analog power supply should be powered up at the same time, otherwise power up the 1.8V base power supplies (TVDD) at first, the 3.3V base power supplies secondarily (DVDD, AVDD) and 5V base power supplies finally (VDDL/R, VREFHL/R). DVSS, AVSS, VSSL/R and VREFLL/R **must be connected to the same analog ground plane**. Decoupling capacitors for high frequency should be placed as near as possible to the supply pin.

## 2. Voltage Reference

The differential voltage between VREFHL/R and VREFLL/R sets the analog output range. The VREFHL/R pin is normally connected to AVDD, and the VREFLL/R pin is normally connected to VSS1/2/3. VREFHL/R and VREFLL/R should be connected with a 0.1 $\mu$ F ceramic capacitor as near as possible to the pin to eliminate the effects of high frequency noise. No load current may be drawn from VCML/R pin. All signals, especially clocks, should be kept away from the VREFHL/R and VREFLL/R pins in order to avoid unwanted noise coupling into the AK4490EN.

## 3. Analog Outputs

The analog outputs are full differential outputs and 2.8Vpp (typ, VREFHL/R – VREFLL/R = 5V) centered around VDDR/2 and VDDL/2 voltages. The differential outputs are summed externally,  $V_{AOUT} = (AOUT+) - (AOUT-)$  between AOUT+ and AOUT-. If the summing gain is 1, the output range is 5.6Vpp (typ, VREFHL/R – VREFLL/R = 5V). The bias voltage of the external summing circuit is supplied externally. The input data format is 2's complement. The output voltage ( $V_{AOUT}$ ) is a positive full scale for 7FFFFFFFH (@32bit) and a negative full scale for 80000000H (@32bit). The ideal  $V_{AOUT}$  is 0V for 00000000H (@32bit).

The internal switched-capacitor filters attenuate the noise generated by the delta-sigma modulator beyond the audio passband. Figure 40 shows an example of external LPF circuit summing the differential outputs by an op-amp.

Figure 41 shows an example of differential outputs and LPF circuit example by three op-amps.

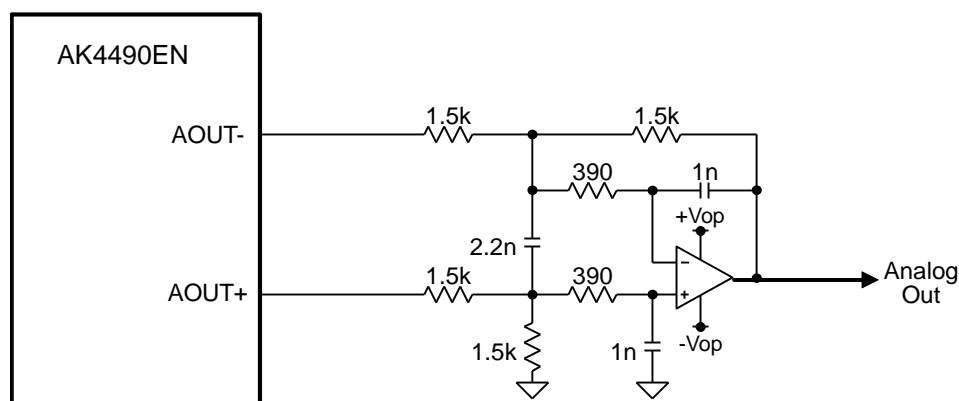


Figure 40. External LPF Circuit Example 1 for PCM ( $f_c = 99.2\text{kHz}$ ,  $Q=0.704$ )

Table 38. Frequency Response of External LPF Circuit Example 1 for PCM

Frequency Response	Gain
20kHz	-0.011dB
40kHz	-0.127dB
80kHz	-1.571dB

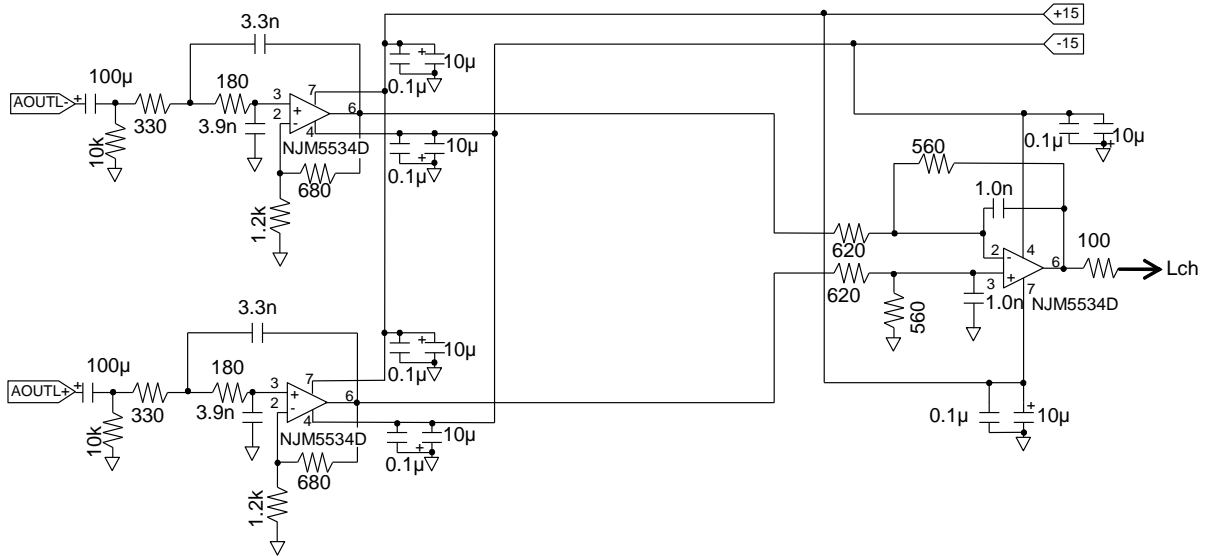


Figure 41. External LPF Circuit Example 2 for PCM

Table 39. Frequency Response of External LPF Circuit Example 2 for PCM

		1 <sup>st</sup> Stage	2 <sup>nd</sup> Stage	Total
Cut-off Frequency		182kHz	284kHz	-
Q		0.637	-	-
Gain		+3.9dB	-0.88dB	+3.02dB
Frequency Response	20kHz	-0.025dB	-0.021dB	-0.046dB
	40kHz	-0.106dB	-0.085dB	-0.191dB
	80kHz	-0.517dB	-0.331dB	-0.848dB



It is recommended for SACD format book (Scarlet Book) that the filter response at SACD playback is an analog low pass filter with a cut-off frequency of maximum 50kHz and a slope of minimum 30dB/Oct. The AK4490EN can achieve this filter response by combination of the internal filter (Table 40) and an external filter (Figure 42).

Table 40. Internal Filter Response at DSD Mode

Frequency	Gain
20kHz	-0.4dB
50kHz	-2.8dB
100kHz	-15.5dB

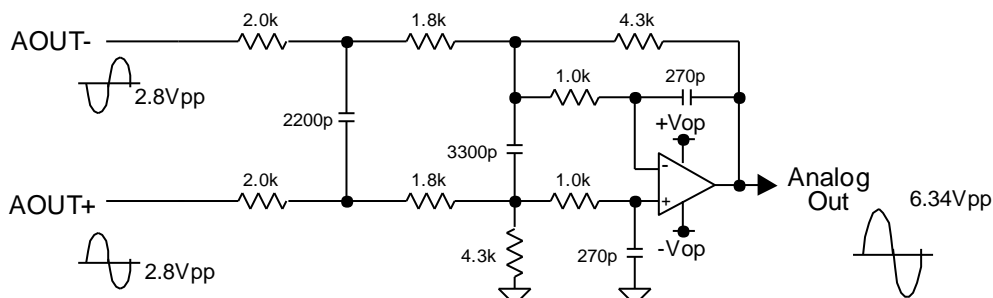


Figure 42. External 3rd Order LPF Circuit Example for DSD

Table 41. 3rd Order LPF (Figure 42) Response

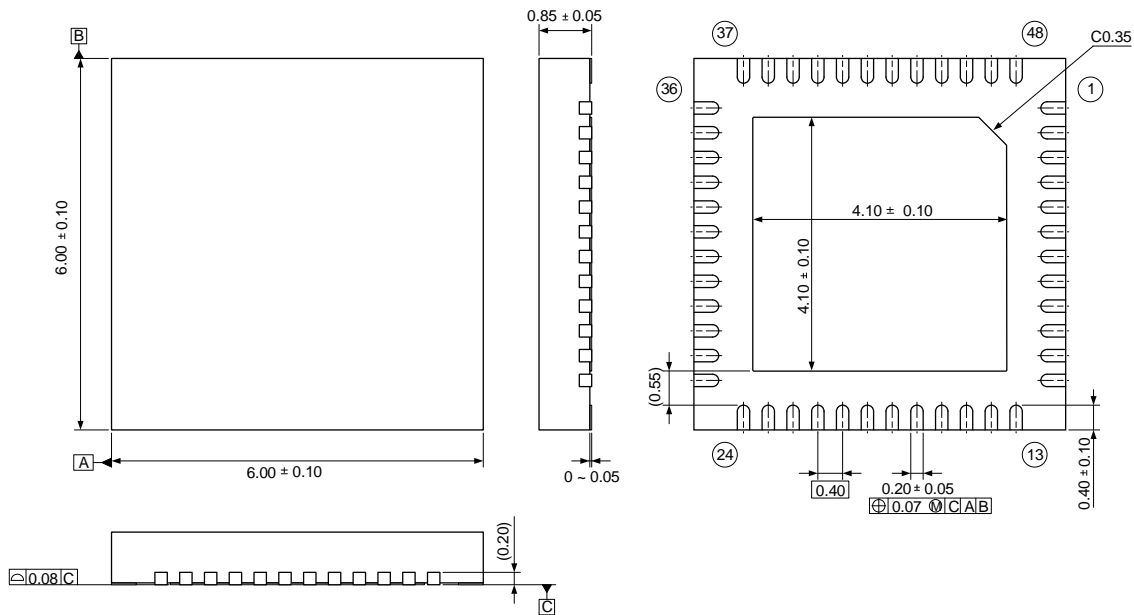
Frequency	Gain
20kHz	-0.05dB
50kHz	-0.51dB
100kHz	-16.8dB

DC gain = 1.07dB

## 11. Package

### ■ Outline Dimensions

48-pin QFN (Unit mm)

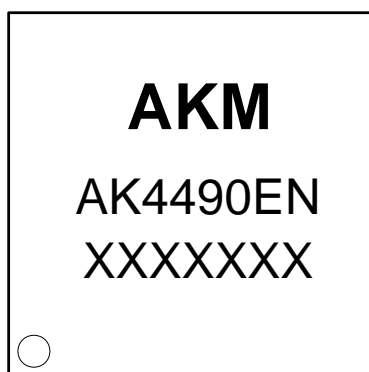


Note 38. The exposed pad on the bottom surface of the package must be connected to the ground.

### ■ Material & Lead finish

Package molding compound:	Epoxy, Halogen (bromine and chlorine) free
Lead frame material:	Cu
Pin surface treatment:	Solder (Pb free) plate

## ■ Marking



- 1) AKM Logo
- 2) Pin #1 indication
- 3) Date Code: XXXXXXXX(7 digits)
- 4) Marking Code: AK4490EN

## 12. Ordering Guide

### ■ Ordering Guide

AK4490EN	-40 ~ +85°C	48-pin QFN (0.4mm pitch)
AKD4490EN	Evaluation Board for AK4490EN	

## 13. Revision History

Date (Y/M/D)	Revision	Reason	Page	Contents
15/10/15	00	First Edition		
15/12/08	01	Description Addition	7, 61, 66	The descriptions regarding the Exposed Pad were added.

**IMPORTANT NOTICE**

0. Asahi Kasei Microdevices Corporation (“AKM”) reserves the right to make changes to the information contained in this document without notice. When you consider any use or application of AKM product stipulated in this document (“Product”), please make inquiries the sales office of AKM or authorized distributors as to current status of the Products.
1. All information included in this document are provided only to illustrate the operation and application examples of AKM Products. AKM neither makes warranties or representations with respect to the accuracy or completeness of the information contained in this document nor grants any license to any intellectual property rights or any other rights of AKM or any third party with respect to the information in this document. You are fully responsible for use of such information contained in this document in your product design or applications. **AKM ASSUMES NO LIABILITY FOR ANY LOSSES INCURRED BY YOU OR THIRD PARTIES ARISING FROM THE USE OF SUCH INFORMATION IN YOUR PRODUCT DESIGN OR APPLICATIONS.**
2. The Product is neither intended nor warranted for use in equipment or systems that require extraordinarily high levels of quality and/or reliability and/or a malfunction or failure of which may cause loss of human life, bodily injury, serious property damage or serious public impact, including but not limited to, equipment used in nuclear facilities, equipment used in the aerospace industry, medical equipment, equipment used for automobiles, trains, ships and other transportation, traffic signaling equipment, equipment used to control combustions or explosions, safety devices, elevators and escalators, devices related to electric power, and equipment used in finance-related fields. Do not use Product for the above use unless specifically agreed by AKM in writing.
3. Though AKM works continually to improve the Product’s quality and reliability, you are responsible for complying with safety standards and for providing adequate designs and safeguards for your hardware, software and systems which minimize risk and avoid situations in which a malfunction or failure of the Product could cause loss of human life, bodily injury or damage to property, including data loss or corruption.
4. Do not use or otherwise make available the Product or related technology or any information contained in this document for any military purposes, including without limitation, for the design, development, use, stockpiling or manufacturing of nuclear, chemical, or biological weapons or missile technology products (mass destruction weapons). When exporting the Products or related technology or any information contained in this document, you should comply with the applicable export control laws and regulations and follow the procedures required by such laws and regulations. The Products and related technology may not be used for or incorporated into any products or systems whose manufacture, use, or sale is prohibited under any applicable domestic or foreign laws or regulations.
5. Please contact AKM sales representative for details as to environmental matters such as the RoHS compatibility of the Product. Please use the Product in compliance with all applicable laws and regulations that regulate the inclusion or use of controlled substances, including without limitation, the EU RoHS Directive. AKM assumes no liability for damages or losses occurring as a result of noncompliance with applicable laws and regulations.
6. Resale of the Product with provisions different from the statement and/or technical features set forth in this document shall immediately void any warranty granted by AKM for the Product and shall not create or extend in any manner whatsoever, any liability of AKM.
7. This document may not be reproduced or duplicated, in any form, in whole or in part, without prior written consent of AKM.