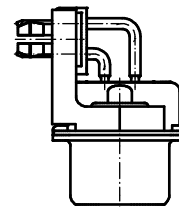
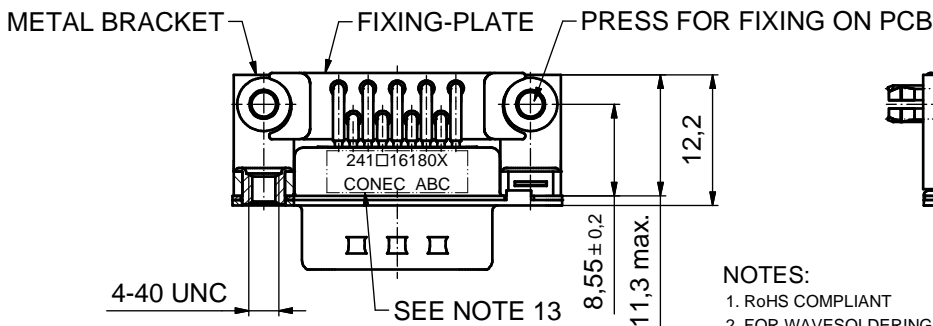
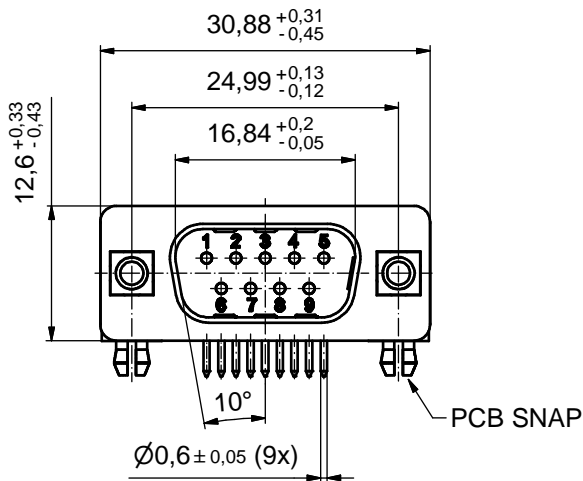
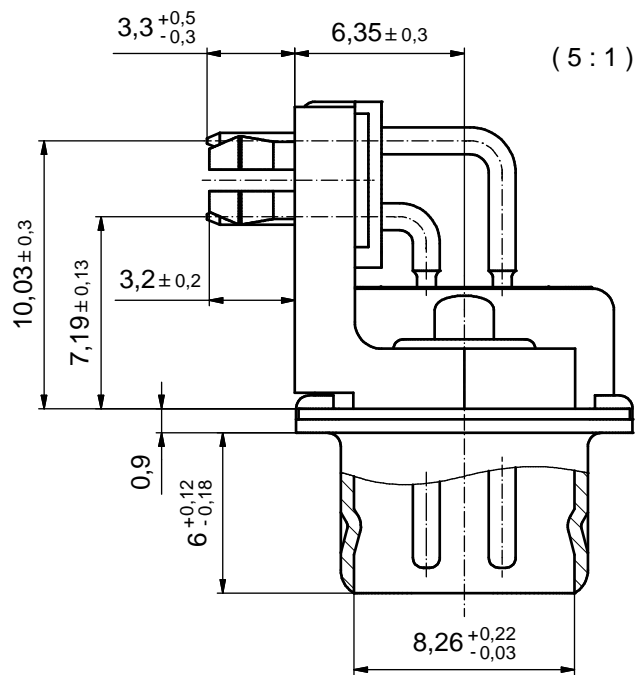
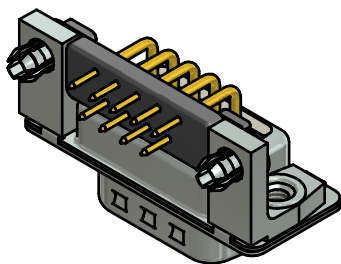


P.C.B. HOLE DRILLINGS
(P.C.B. TOP SIDE)



NOTES:

- RoHS COMPLIANT
- FOR WAVESOLDERING (SOLDER BATH TEMPERATURE 260°C FOR 5 SEC. AND SOLDER PREHEAT 100°C FOR 30 SEC.)
- METALSHELLS: STEEL; min. 315µin TIN over 40-80µin NICKEL
- INSULATOR: HIGH TEMPERATURE PLASTIC UL 94 V-0; BLACK
- CONTACTS: COPPER ALLOY; PLATING (SEE PART NO.):
 PLEASE ADD A for GOLD FLASH over NICKEL (PREFERRED TYPE)
 PLEASE ADD B for 20µin HARD GOLD over min. 50µin NICKEL
 PLEASE ADD C for 30µin HARD GOLD over min. 50µin NICKEL
 CONTACT TAILS PRETINNED
- METAL BRACKETS: ZINC DIE CAST; 300µin COPPER/40-120µin NICKEL/120-200µin TIN
- THREADED INSERTS: COPPER ALLOY; min. 200µin TIN over 80µin NICKEL
- FIXING-PLATE: HIGH TEMPERATURE PLASTIC UL 94 V-0; BLACK
- PCB-SNAPS: COPPER ALLOY; min. 200µin TIN over 80µin NICKEL
 PCB-HOLE: $\varnothing 3,1 \pm 0,1$; PCB THICKNESS 1,6mm
- CAPACITANCE: 180pF $\pm 20\%$
- DIELECTRIC WITHSTANDING VOLTAGE: 424 VDC
- MAXIMUM TORQUE VALUE FOR THREAD: 6 in.LB
- CONNECTOR IS PART MARKED: 241□16180X CONEC ABC (see note 5)



Directive 2002/95/EC RoHS compliant

THIS DRAWING MAY NOT BE COPIED OR REPRODUCED IN ANY WAY, AND MAY NOT BE PASSED ON TO A THIRD PARTY WITHOUT WRITTEN PERMISSION. OWNERSHIP AND COPYRIGHT OF CONEC GmbH DO NOT ALTER CAD DRAWING BY HAND	tolerance		dim. in mm	scale: 2:1 (5:1)	
				material: SEE NOTES	
	date	name	title:		
	drawn 19.07.13	Lehmenkühler	D-SUB FILTER MALE 90°		
	appd. 19.07.13	Fischer	9pos. SOLDER PIN ANGLED 0.318inch		
	norm		with threaded insert, metal bracket, fixing-plate, snap		
	d-old		dwg no: Inventor 10		DIN-A3
	a Original		24K1A1458		sh: 1
	rev. description	date	part no: 241□16180X (see note 5)		