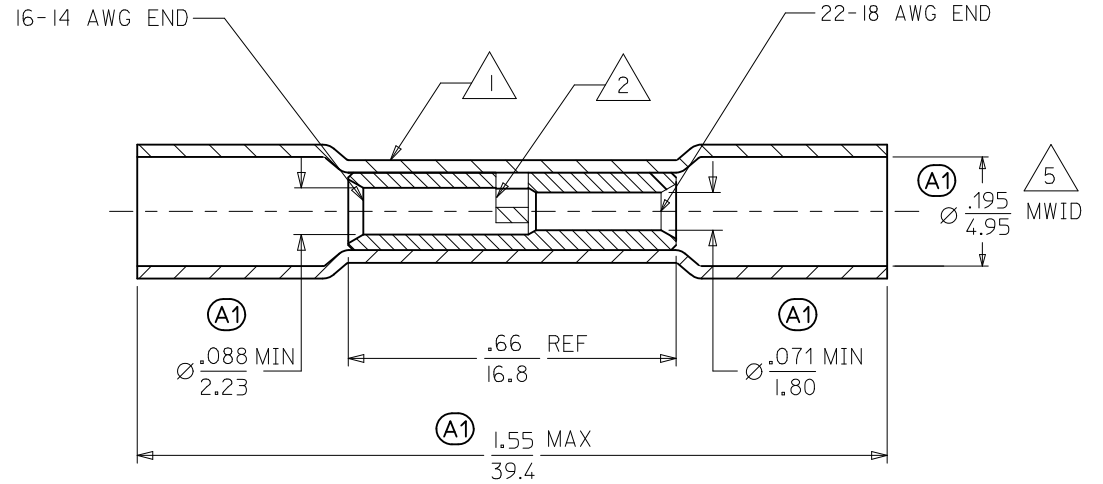
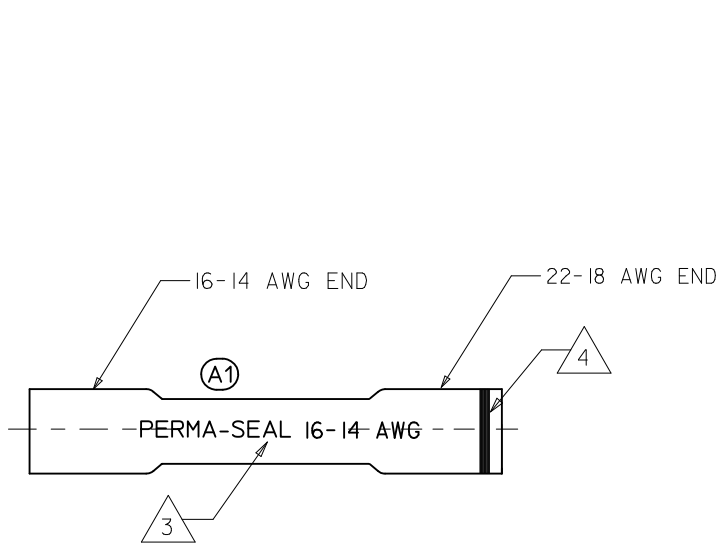


MATERIAL NUMBER	ENGINEERING NUMBER
191640043	SBA-631



NOTES

- (1) INSULATION MATERIAL: HEAT SHRINKABLE TUBING WITH HOTMELT INNER LINER, COLOR BLUE.
- (2) SEAMLESS TIN PLATED COPPER TERMINAL.
- (3) PRINTED TEXT IN BLACK .06 HIGH AS SHOWN. DIRECTION CAN BE REVERSED DUE TO MFG PROCESSES.
- (4) RED STRIPE ORIENTATED ON 22-18 AWG END OF CONNECTOR.
- (5) MWID-MAXIMUM WIRE INSULATION DIAMETER.
- (A1) 6. PART IS ROHS COMPLIANT.

SALES DRAWING

UPDATE TOLERANCES EC NO: WNA2012-0117 DRW: NETHRODAHL 2011/08/25 CHKD: JMACNEIL 2011/08/25 APPR: JMACNEIL 2011/08/26	QUALITY SYMBOLS ▽=0 ▽=0	GENERAL TOLERANCES (UNLESS SPECIFIED)		DIMENSION STYLE		SCALE	DESIGN UNITS	THIRD ANGLE PROJECTION			
				IN/MM		---	INCH				
				mm	INCH	DRAWN BY	DATE	TITLE			
				4 PLACES	±---	RCM	1991/10/28	STEP DOWN BUTT SPLICE PERMA-SEAL 16-14 AWG 22-18 AWG			
		3 PLACES	±---	CHECKED BY	DATE						
		2 PLACES	±---	JM	1991/10/28	molex MOLEX INCORPORATED					
		1 PLACE	±---	APPROVED BY	DATE						
		ANGULAR ±---°		MATERIAL NO.		DOCUMENT NO.		SHEET NO.			
		DRAFT WHERE APPLICABLE MUST REMAIN WITHIN DIMENSIONS		SEE CHART		SD-19164-029		1 OF 1			
		THIS DRAWING CONTAINS INFORMATION THAT IS PROPRIETARY TO MOLEX INCORPORATED AND SHOULD NOT BE USED WITHOUT WRITTEN PERMISSION									