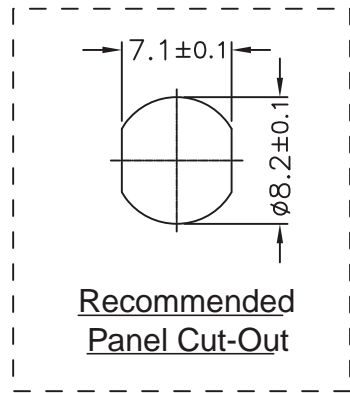


- Material:**
- Waterproof Rate: IP67
 - LED Holder: Brass, Nickel plating
 - LED: \varnothing 3mm, Yellow
 - Gasket: EPDM, Black
 - Screw Nut: Brass, Nickel plating
 - Operating voltage: 4V DC
 - Operating Temperature: -40°C~+80°C
 - For Panel Thickness 6.5mm Max.



QC Quality Control: Important Dimension to check

Unit: mm



Scale	Free						Date	Name	Title Waterproof LED Yellow color, metal, \varnothing 3.0mm
TOLERANCE						Drawn	06.03.14	Wilson	
X.	± 0.3					Approved	06.03.14	Groll	ASSMANN WSW-No. A-LED8-1YAAS-MR7-1
X.X	$\pm X$								Drawing-No.
X.XX	$\pm X$								rev00
DIM	TOL								Sheet
X.°	$\pm X^\circ$								1/1
X.X°	$\pm X^\circ$								
Angle	TOL	Id.	Modification	Date	Name				
						1840 W. Drake Drive, Suite 101 • Tempe, AZ 85283 Toll Free: 1-877-277-6266 • Email: info@assmann.us			