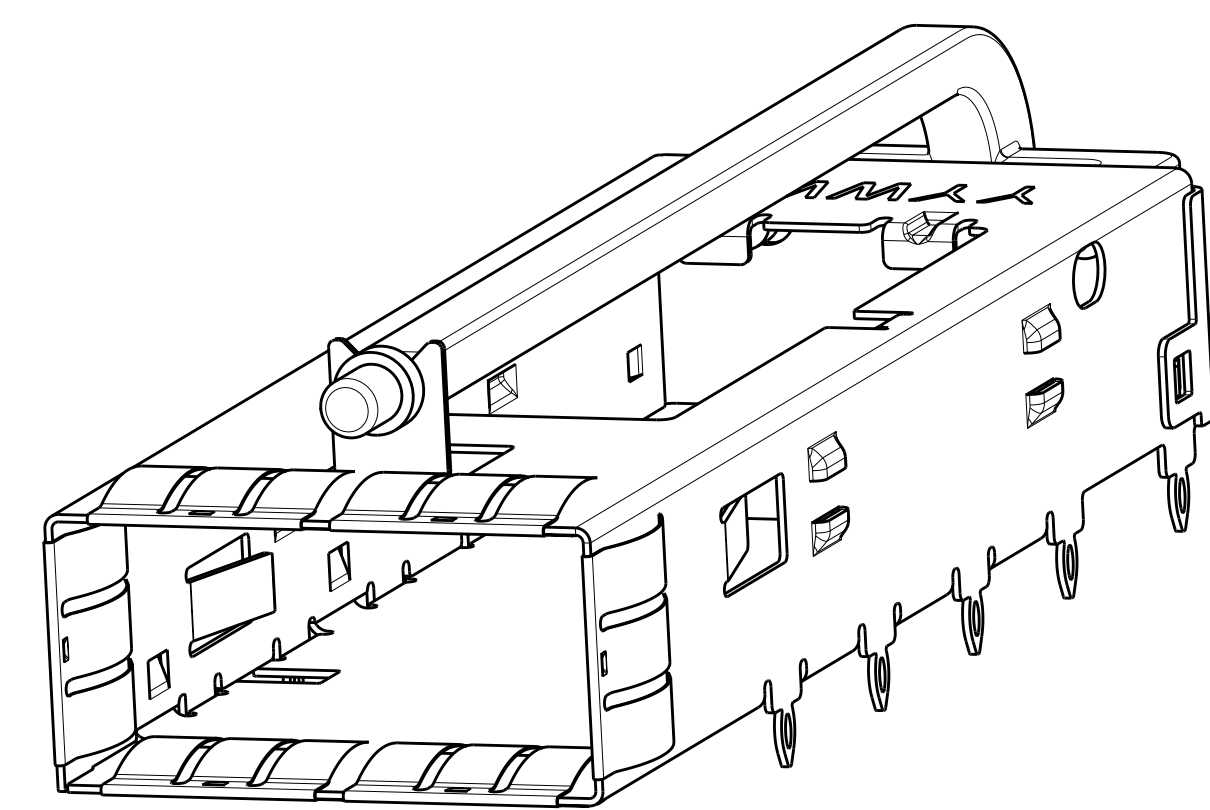
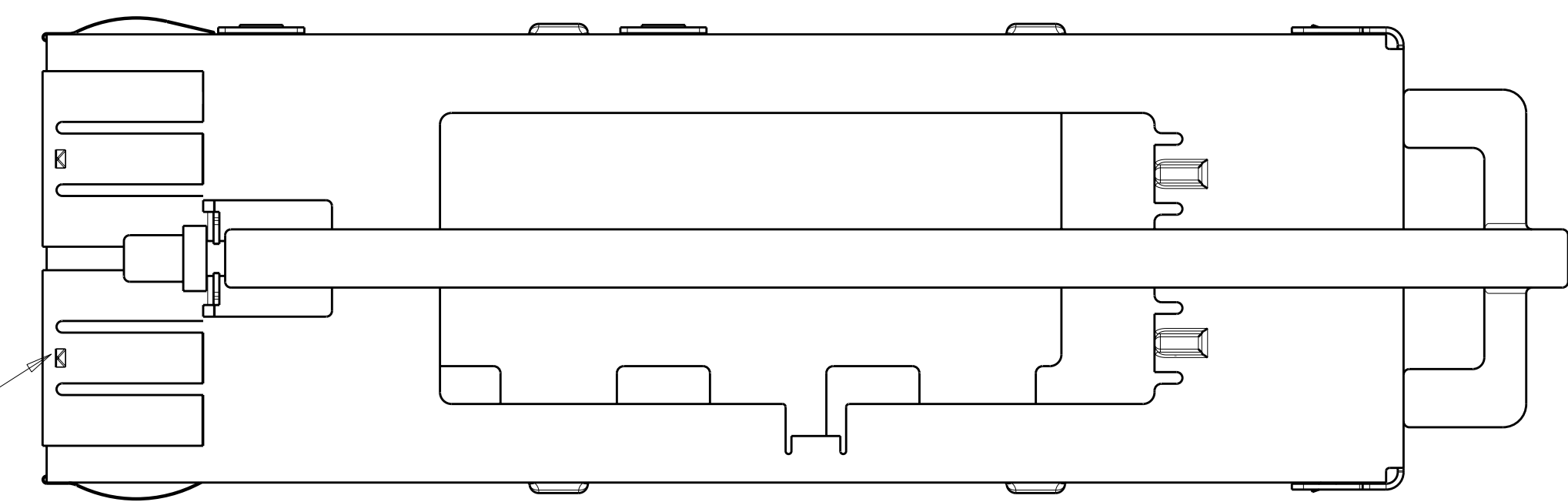


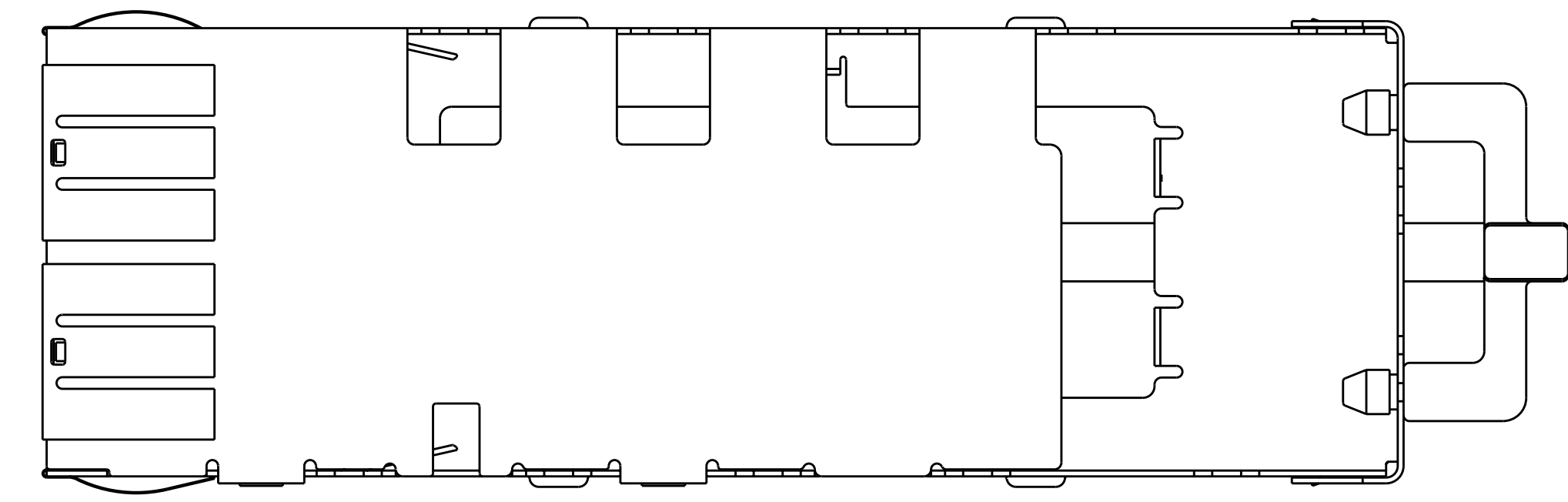
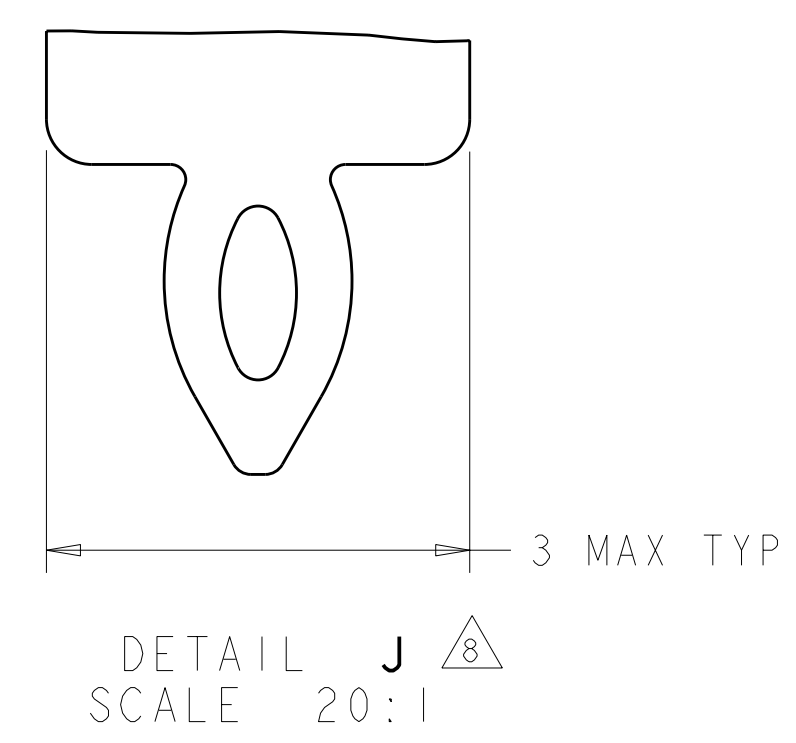
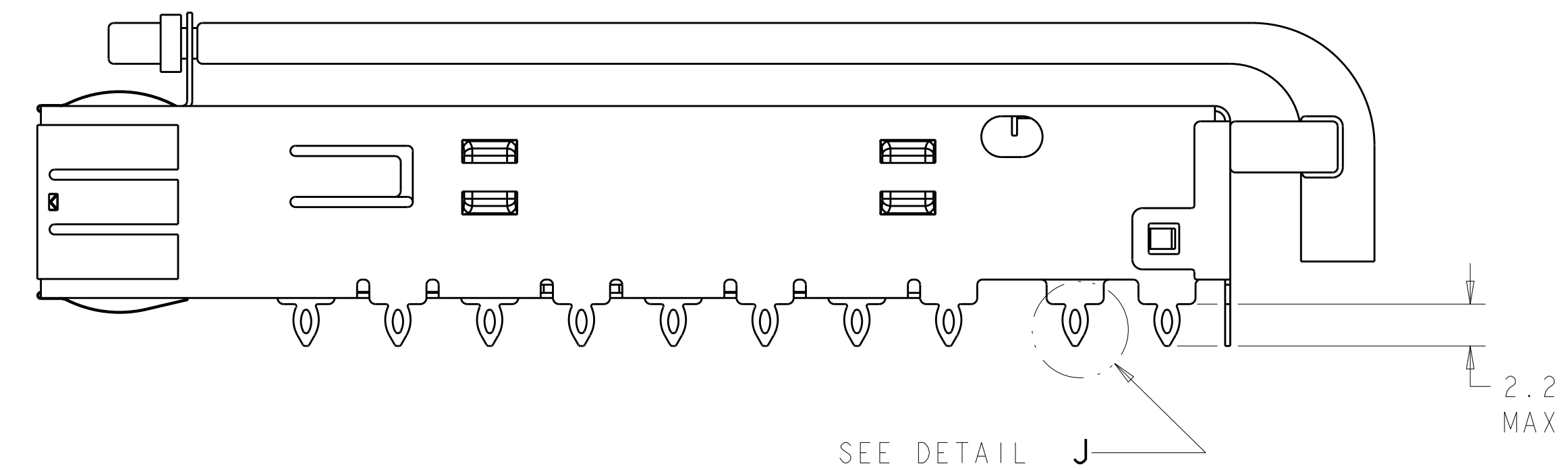
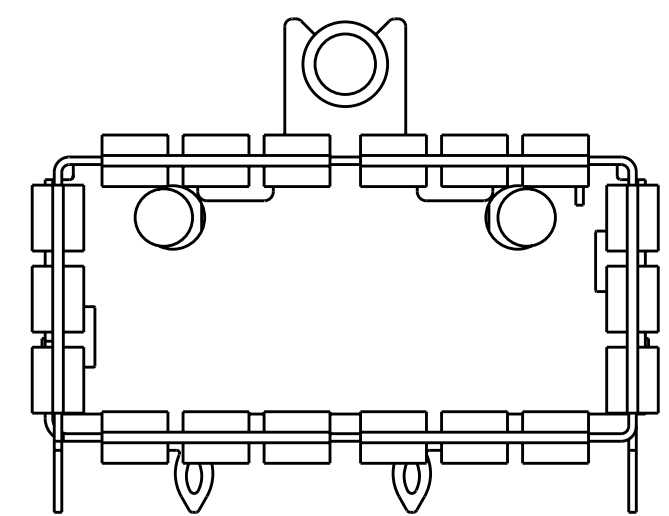
LOC	DIST	REVISIONS			
P	LTR	DESCRIPTION	DATE	DWN	APVD
GP	00	I ORIGINAL	31MAR2010	CJV	JRP



Sn42Bi58 SOLDER  
6 PLACES



- 1. CAGE MATERIAL: NICKEL SILVER, 0.25 THICK  
 LIGHT PIPE MATERIAL: CLEAR POLYCARBONATE, UL-94V-2 RATED.  
 EMI SPRING MATERIAL: COPPER ALLOY
- 2. MINIMUM PITCH DIMENSION.
- 3. MATES WITH QSFP MSA COMPATIBLE TRANSCEIVER.
- 4. REFERENCE APPLICATION SPEC 114-13217 FOR RECOMMENDED DRILL HOLE DIAMETER AND PLATING THICKNESS.
- 5. DATUMS AND BASIC DIMENSIONS ESTABLISHED BY CUSTOMER.
- 6. MINIMUM PC BOARD THICKNESS:  
 SINGLE SIDED = 1.45mm (shown, pg. 4)  
 DOUBLE SIDED = 2.2mm
- 7. DATUM -A- IS TOP SURFACE OF HOST BOARD.
- 8. SURFACE TRACES PERMITTED WITHIN THIS AREA EXCEPT WHERE CAGE STANDOFFS, SHOWN IN DETAIL J, CONTACT PC BOARD.
- 9. MAXIMUM HEIGHT OF CUSTOMER SUPPLIED LED OFF PC BOARD: 1.70mm.
- 10. DATE CODE (YYWWD) MARKED ON TOP OF CAGE APPLIES TO CAGE ASSEMBLY ONLY.
- 11. SPRING FINISH: 0.8µm MIN TIN OVER 0.8µm MIN NICKEL. NON-PLATED EDGES PERMISSIBLE.
- 12. PRODUCT HAS NOT COMPLETED QUALIFICATION TESTING.
- 13. CAGE ASSEMBLY MAY BE PRESSED INTO THE PCB AS SHIPPED. LIGHT PIPE MUST BE ASSEMBLED BY CUSTOMER AFTER THE CAGE IS SEATED ON THE PCB.

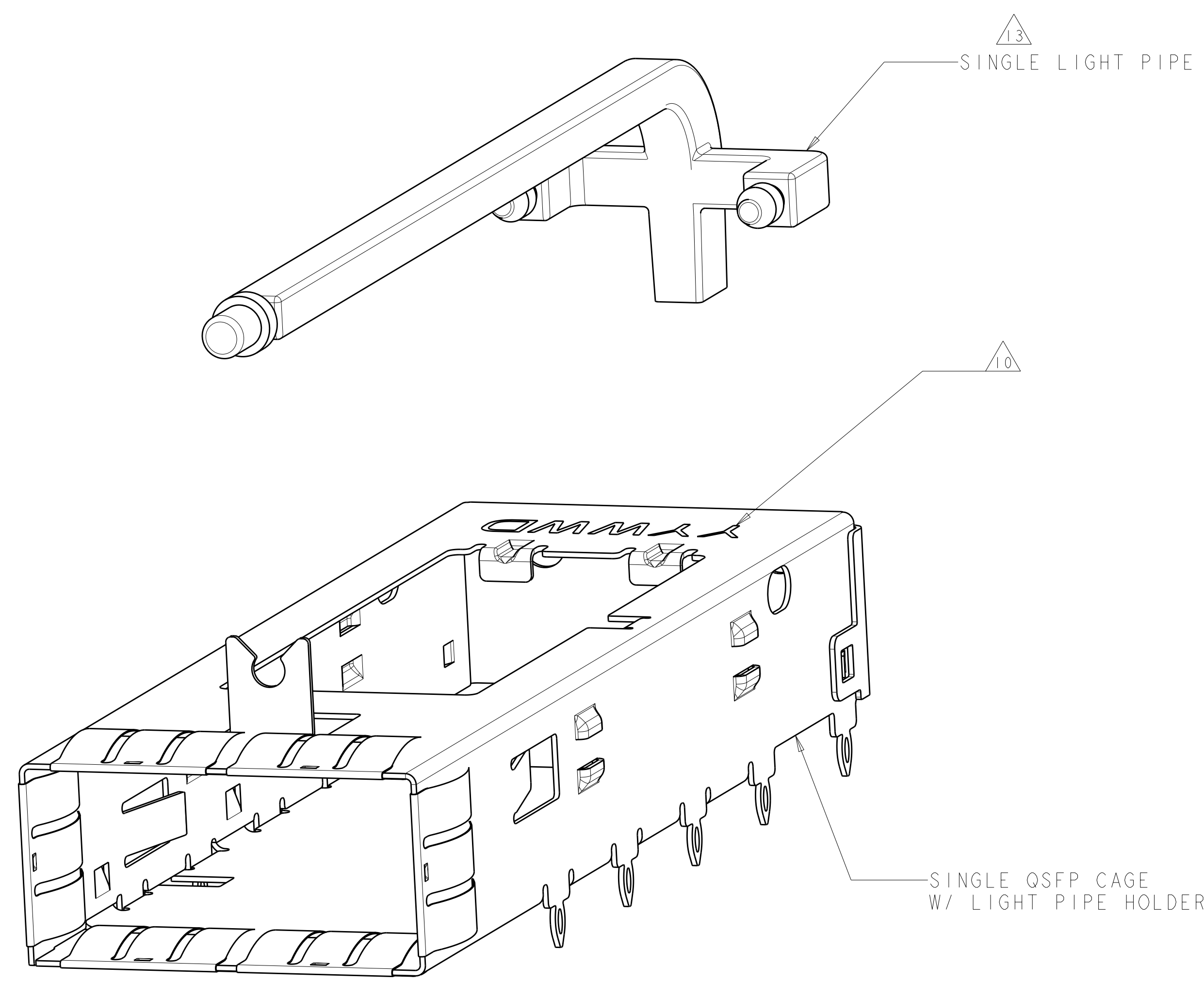


THIS PRINT IS  
**PRELIMINARY**  
 UNQUALIFIED PRODUCT  
 CONTACT PRODUCT ENGINEERING  
 BEFORE USING THIS PRINT

2143432-1  
PART NUMBER

<small>THIS DRAWING IS UNPUBLISHED. RELEASED FOR PUBLICATION 2007. ALL RIGHTS RESERVED. THIS DRAWING IS UNPUBLISHED. RELEASED FOR PUBLICATION 2007. ALL RIGHTS RESERVED.</small>		DWN C. VALENTINE 31MAR2010 CHK J. PETERSON 31MAR2010 APVD J. PETERSON 31MAR2010	Tyco Electronics Harrisburg, PA 17105-3608
DIMENSIONS: mm 	TOLERANCES UNLESS OTHERWISE SPECIFIED: 9 PLC ±.5 8 PLC ±0.13 5 PLC ±0.013 4 PLC ±0.0001 ANGLES ±.1	PRODUCT SPEC 108-2286 APPLICATION SPEC 114-13217 WEIGHT - FINISH -	NAME CAGE ASSEMBLY, THRU BEZEL, QSFP, W/ SINGLE LIGHT PIPE SIZE CAGE CODE DRAWING NO. RESTRICTED TO A100779C=2143432 CUSTOMER DRAWING SCALE 4:1 SHEET 1 OF 4 REV 1

LOC	DIST	REVISIONS			
P	LTG	DESCRIPTION	DATE	DWN	APVD
-	-	SEE SHEET 1	-	-	-

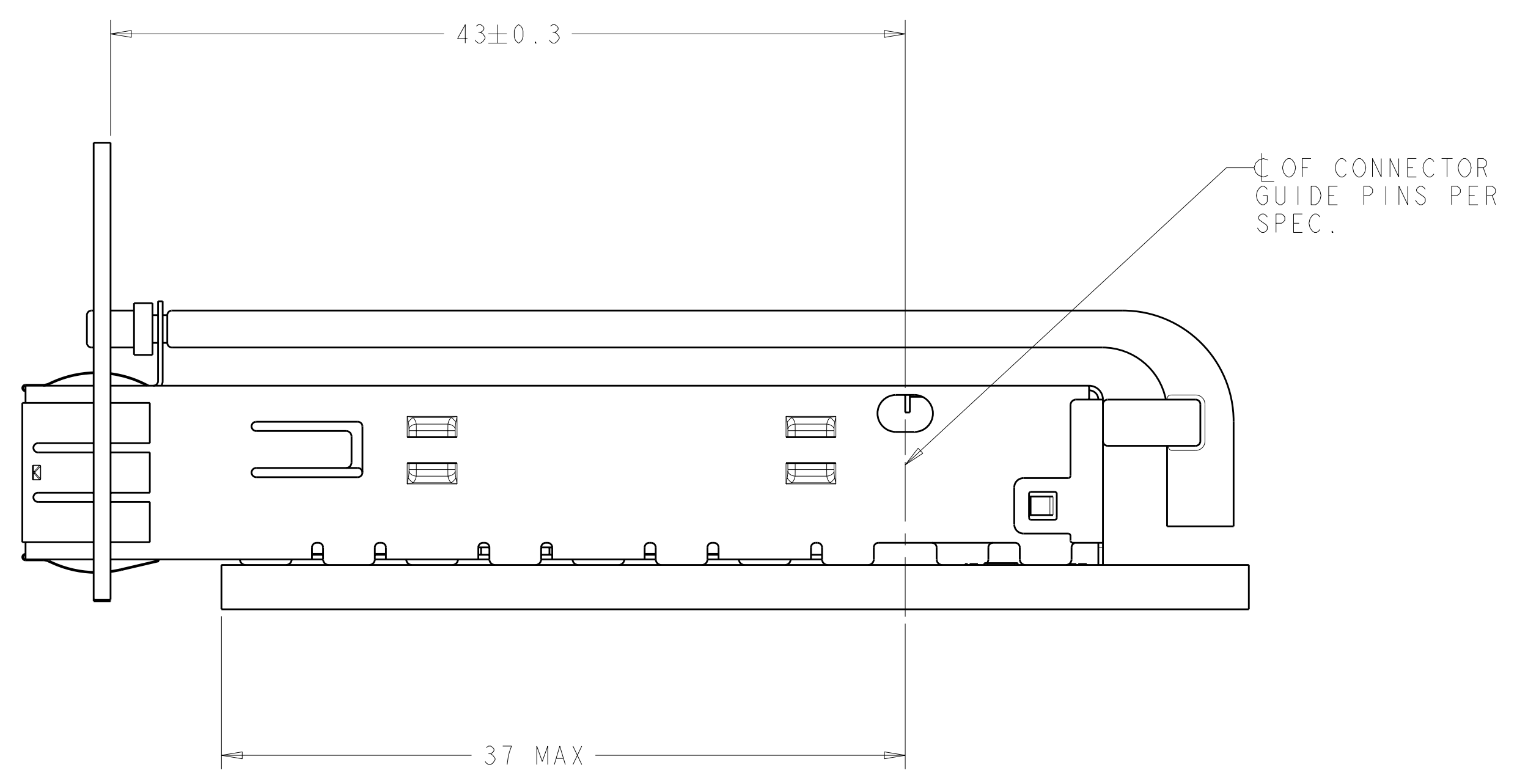
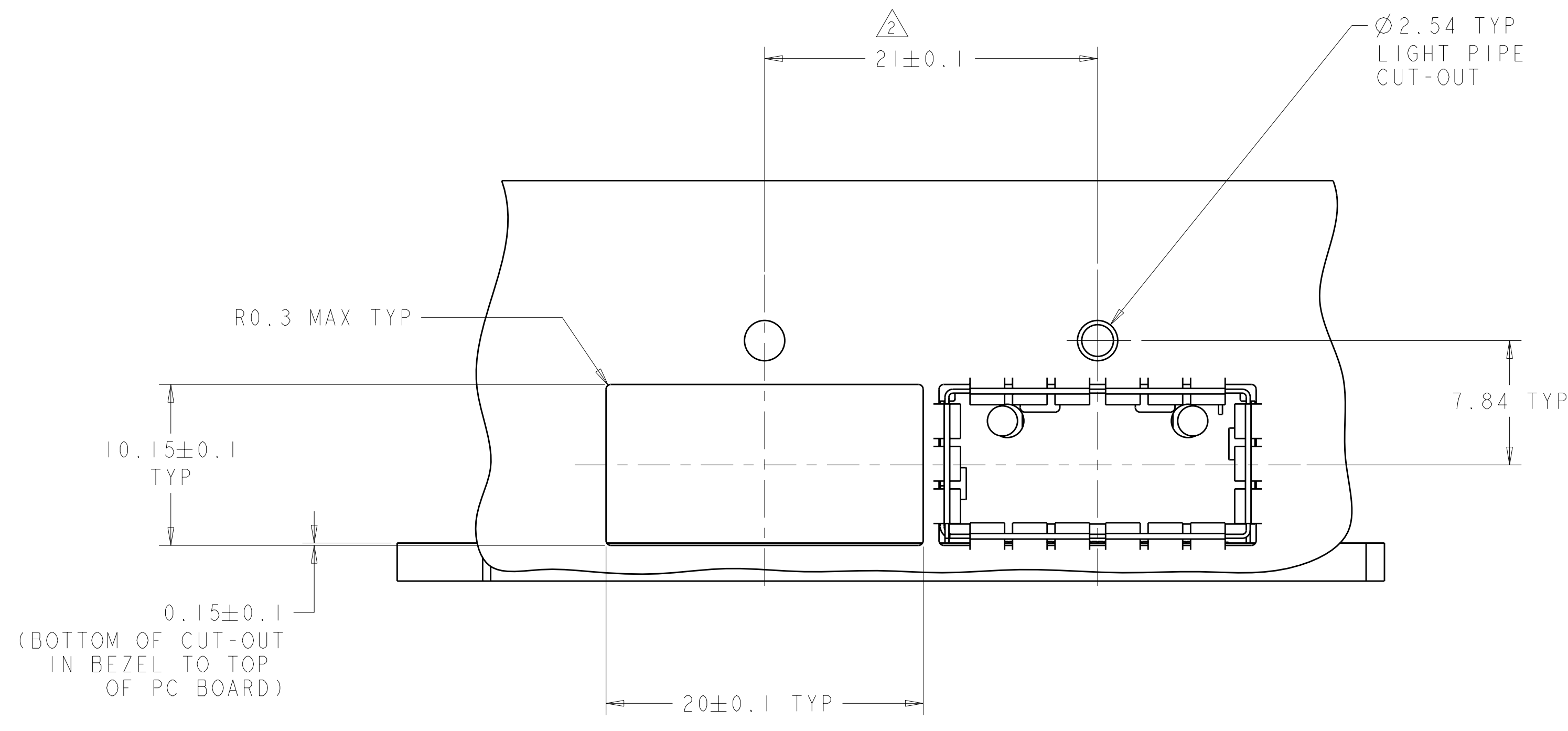


EXPLODED ISOMETRIC VIEW  
 SCALE 6:1

THIS PRINT IS  
**PRELIMINARY**  
 UNQUALIFIED PRODUCT  
 CONTACT PRODUCT ENGINEERING  
 BEFORE USING THIS PRINT

<small>THIS DRAWING IS UNPUBLISHED. RELEASED FOR PUBLICATION 2007. THIS IS SUBJECT TO CHANGE. THE USER SHALL BE RESPONSIBLE FOR VERIFYING THE DIMENSIONS AND TOLERANCES OF THE PARTS AND ASSEMBLY. CONTACT THE SUPPLIER FOR THE LATEST REVISION.</small>		DWN C. VALENTINE 31MAR2010 CHK J. PETERSON 31MAR2010 APVD J. PETERSON 31MAR2010	Tyco Electronics Harrisburg, PA 17105-3608
DIMENSIONS: mm 	TOLERANCES UNLESS OTHERWISE SPECIFIED: 0 PLC ± 1 PLC ±0.5 2 PLC ±0.13 3 PLC ±0.013 4 PLC ±0.0001 ANGLES ±	NAME PRODUCT SPEC APPLICATION SPEC 108-2286 114-13217	CAGE ASSEMBLY, THRU BEZEL, QSFP, W/ SINGLE LIGHT PIPE SIZE CAGE CODE DRAWING NO A100779C=2143432
MATERIAL	FINISH	WEIGHT	RESTRICTED TO
CUSTOMER DRAWING		SCALE 4:1	SHEET 2 OF 4 REV 1

LOC	DIST	REVISIONS			
P	LTG	DESCRIPTION	DATE	DWN	APVD
-	-	SEE SHEET 1	-	-	-



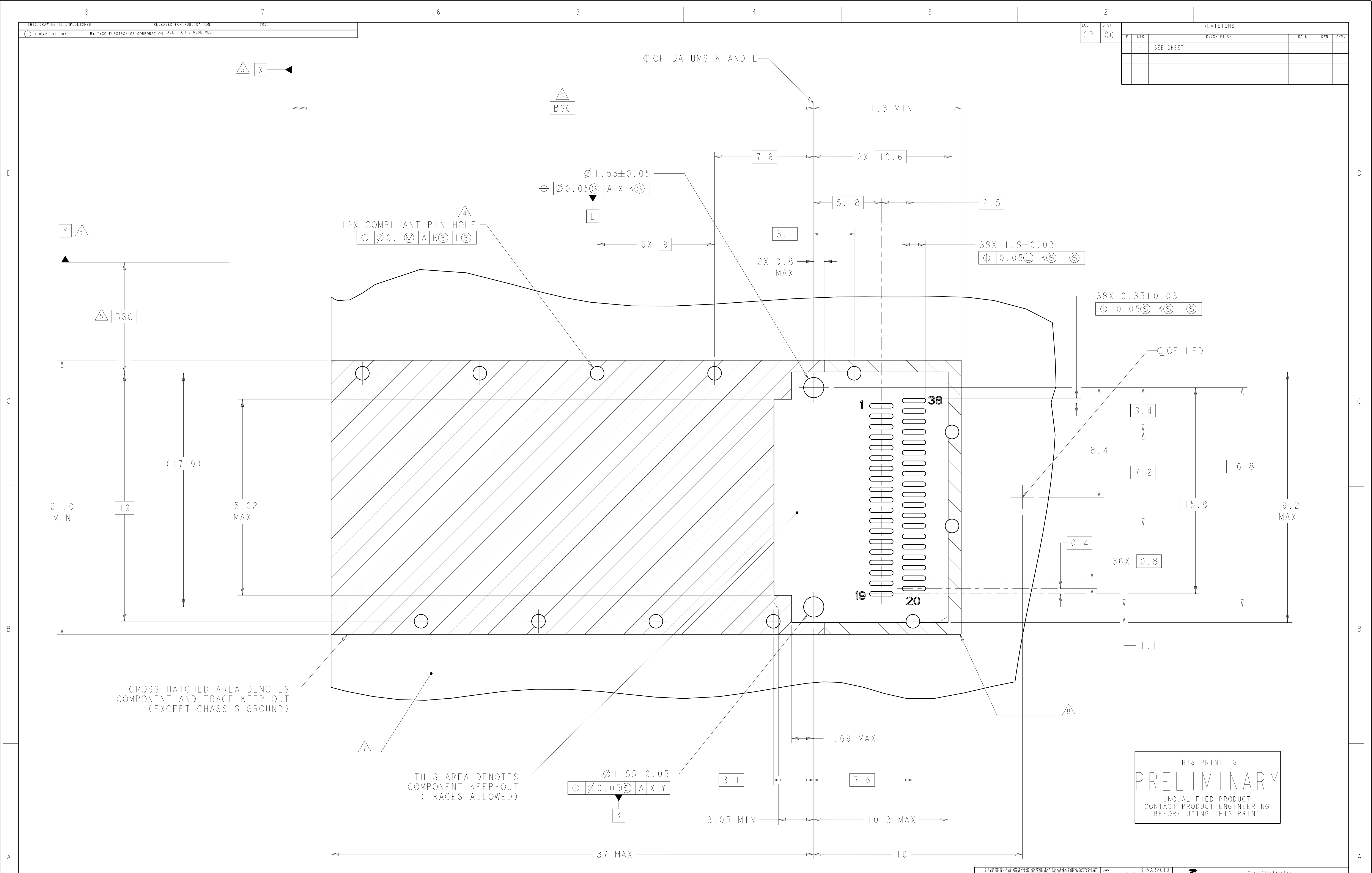
RECOMMENDED BEZEL CUTOUT AND LOCATION

THIS PRINT IS  
**PRELIMINARY**  
 UNQUALIFIED PRODUCT  
 CONTACT PRODUCT ENGINEERING  
 BEFORE USING THIS PRINT

<small>THIS DRAWING IS UNPUBLISHED. RELEASED FOR PUBLICATION 2007. IT IS SUBJECT TO CHANGE WITHOUT NOTICE AND WITHOUT OBLIGATION. SHOULD BE CONTACTED FOR THE LATEST REVISION.</small>		DWN C. VALENTINE 31MAR2010 CHK J. PETERSON 31MAR2010 APVD J. PETERSON 31MAR2010	Tyco Electronics Harrisburg, PA 17105-3608
DIMENSIONS: mm 	TOLERANCES UNLESS OTHERWISE SPECIFIED: 0 PLC ± 1 PLC ±0.5 2 PLC ±0.13 3 PLC ±0.013 4 PLC ±0.001 ANGLES ±	NAME: CAGE ASSEMBLY, THRU BEZEL, OSFP, W/ SINGLE LIGHT PIPE PRODUCT SPEC: 108-2286 APPLICATION SPEC: 114-13217 WEIGHT: - CUSTOMER DRAWING	SIZE: A100779 CAGE CODE: C=2143432 DRAWING NO: RESTRICTED TO: - SCALE: 4:1 SHEET 3 OF 4 REV 1

LOC	DIST	REV	DATE	APP'D
GP	00	-	-	-

REVISIONS				
REV	DESCRIPTION	DATE	DNW	APP'D
-	SEE SHEET 1	-	-	-

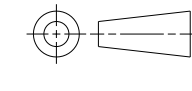


CROSS-HATCHED AREA DENOTES  
 COMPONENT AND TRACE KEEP-OUT  
 (EXCEPT CHASSIS GROUND)

THIS AREA DENOTES  
 COMPONENT KEEP-OUT  
 (TRACES ALLOWED)

RECOMMENDED PC BOARD LAYOUT  
 SCALE 8:1

THIS PRINT IS  
**PRELIMINARY**  
 UNQUALIFIED PRODUCT  
 CONTACT PRODUCT ENGINEERING  
 BEFORE USING THIS PRINT

<small>THIS DRAWING IS UNPUBLISHED. RELEASED FOR PUBLICATION 2007. BY TYCO ELECTRONICS CORPORATION, ALL RIGHTS RESERVED. THIS IS SUBJECT TO CHANGE WITHOUT NOTICE AND WITHOUT OBLIGATION. TOLERANCES UNLESS OTHERWISE SPECIFIED:</small>		DWN C. VALENTINE 31MAR2010 CHK J. PETERSON 31MAR2010 APVD J. PETERSON 31MAR2010	<b>Tyco</b> Electronics Tyco Electronics Harrisburg, PA 17105-3608
DIMENSIONS: mm 	9 PLC ±.5 7 PLC ±0.5 5 PLC ±0.13 4 PLC ±0.013 ANGLES ±0.0001	PRODUCT SPEC 108-2286 APPLICATION SPEC 114-13217	NAME <b>CAGE ASSEMBLY, THRU BEZEL, OSFP,                  W/ SINGLE LIGHT PIPE</b> SIZE CAGE CODE DRAWING NO RESTRICTED TO A1100779C=2143432 -
MATERIAL	FINISH	WEIGHT	CUSTOMER DRAWING SCALE 4:1 SHEET 4 OF 4 REV