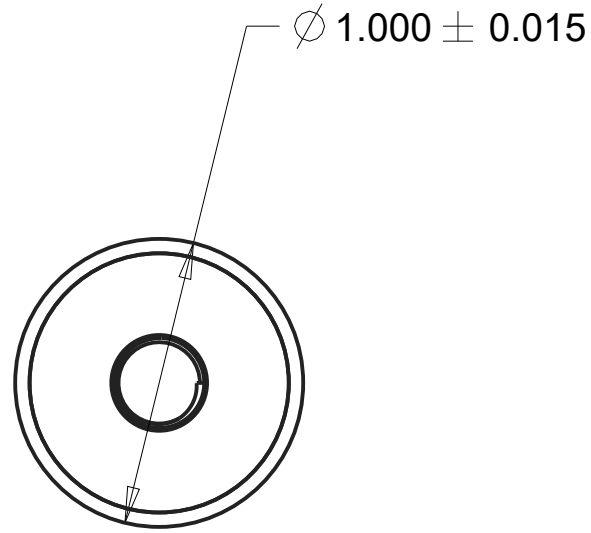


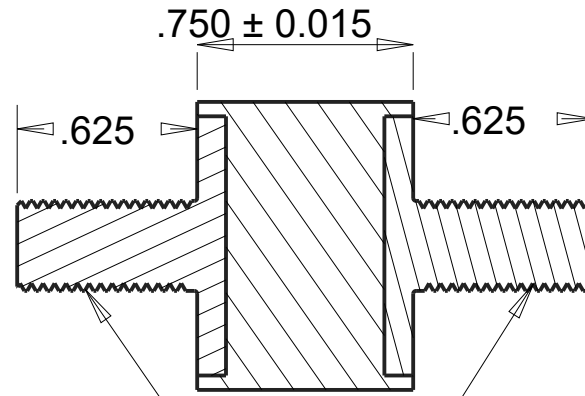


REVISIONS				
DRAWN	REV	DESCRIPTION	DATE	APPROVED
CP	01	INITIAL DESIGN	6/28/17	MS

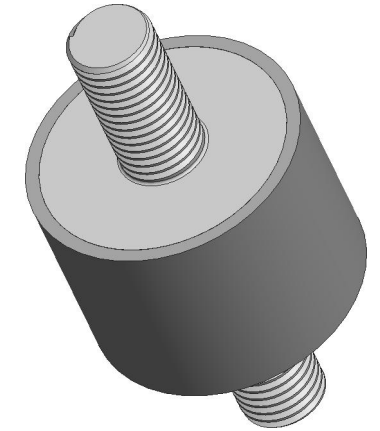


SCALE 1.500

SECTION A-A



GROUP 4 MALE
INSERT
#5/16"-18 UNC-2A



NOTES:

1. CONTACT AREAS MUST BE 100% BONDED.

INSERTS:

MALE INSERT P/N: 021-1415

MATERIAL: S.A.E 1018 STEEL

FOR COATING DETAILS, SEE INSERT DRAWING.

MATERIAL: ISOLOSS SL-20300		AEARO TECHNOLOGIES LLC * a 3M company		
UNITS: IN	QUALITY CONTROL: MUST COMPLY WITH AEARO TECHONOLGIES LLC SUPPLIER QUALITY MANUAL REQUIREMENTS	TITLE SANDWICH MOUNT, GROUP 4, MALE-MALE, ISOLOSS SL-20300		
	NOTES: ANY FEATURE NOT DIMENSIONED IN PRINT MUST BE VISIBLY PRESENT, UTILIZE 3D CAD FOR CREATION	SIZE B	ITEM CODE	DWG NO. MM-400-UC31-SL20300

1

2

3

4

D

D

C

C

B

B

A

A