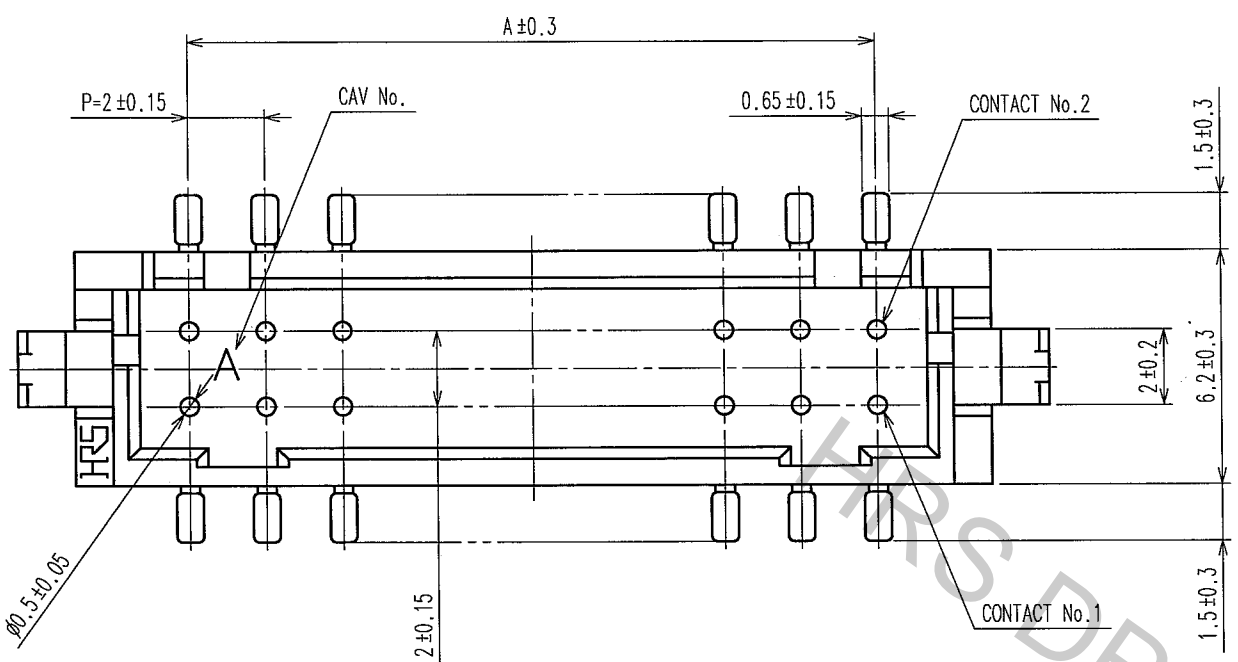
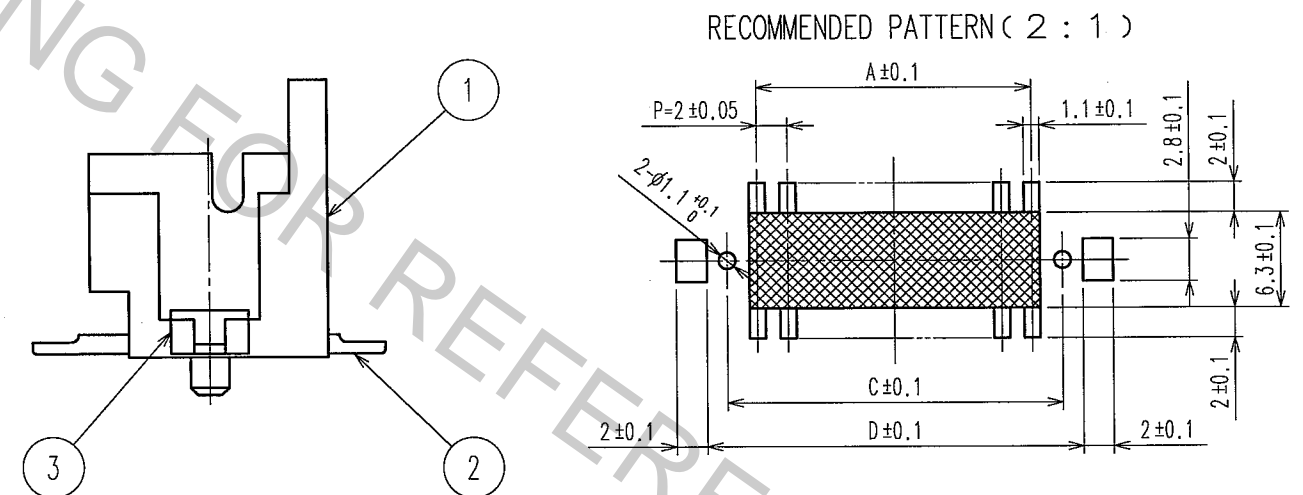
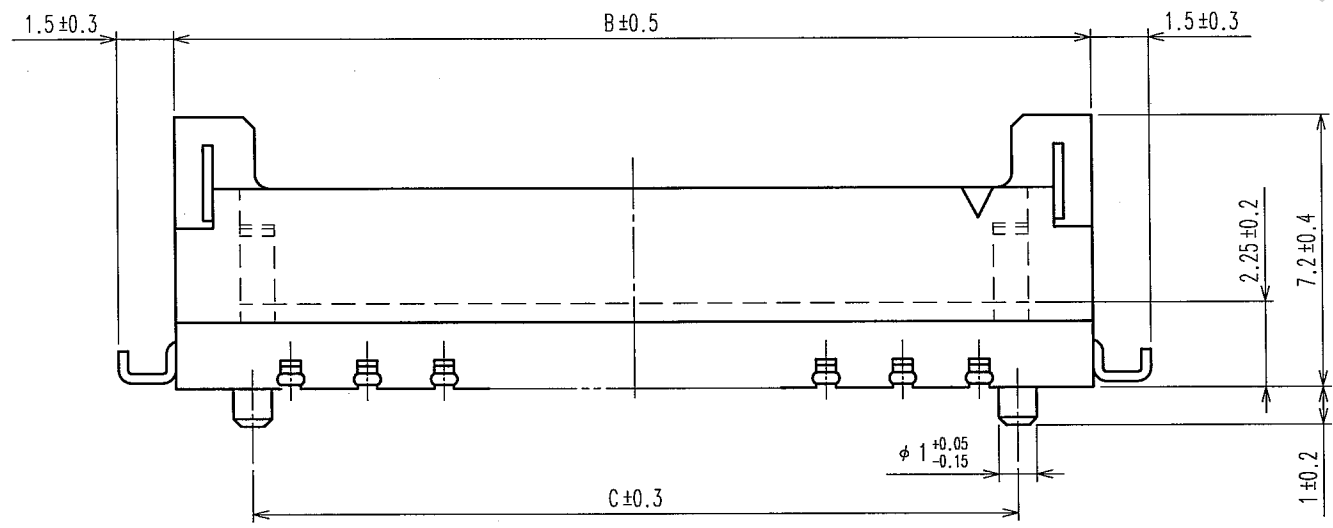


Apr.1.2017 Copyright 2017 HIROSE ELECTRIC CO., LTD. All Rights Reserved.

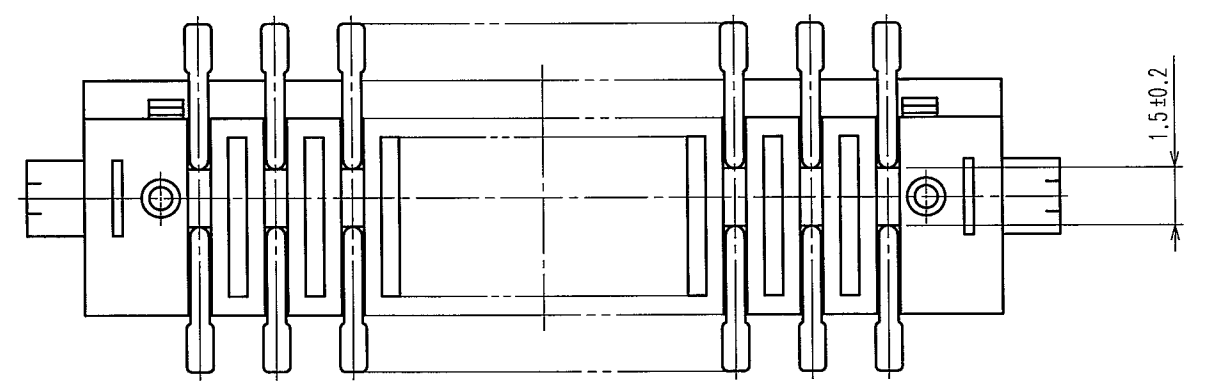


COUNT	DESCRIPTION OF REVISIONS	BY	CHKD	DATE	COUNT	DESCRIPTION OF REVISIONS	BY	CHKD	DATE
3	DIS-H-002465	T.O	H.U	07.09.25					

CODE No.	PART No.	CONTACT	A	B	C	D
543-2017-3-27	DF11Z- 4DP-2V(27)	4	2.0	8.5	4.0	8.7
543-2018-6-27	DF11Z- 6DP-2V(27)	6	4.0	10.5	6.0	10.7
543-2019-9-27	DF11Z- 8DP-2V(27)	8	6.0	12.5	8.0	12.7
543-2020-8-27	DF11Z-10DP-2V(27)	10	8.0	14.5	10.0	14.7
543-2021-0-27	DF11Z-12DP-2V(27)	12	10.0	16.5	12.0	16.7
543-2022-3-27	DF11Z-14DP-2V(27)	14	12.0	18.5	14.0	18.7
543-2023-6-27	DF11Z-16DP-2V(27)	16	14.0	20.5	16.0	20.7
543-2024-9-27	DF11Z-18DP-2V(27)	18	16.0	22.5	18.0	22.7
543-2025-1-27	DF11Z-20DP-2V(27)	20	18.0	24.5	20.0	24.7
543-2026-4-27	DF11Z-22DP-2V(27)	22	20.0	26.5	22.0	26.7
543-2027-7-27	DF11Z-24DP-2V(27)	24	22.0	28.5	24.0	28.7
543-2028-0-27	DF11Z-26DP-2V(27)	26	24.0	30.5	26.0	30.7
543-2029-2-27	DF11Z-28DP-2V(27)	28	26.0	32.5	28.0	32.7
543-2030-1-27	DF11Z-30DP-2V(27)	30	28.0	34.5	30.0	34.7
543-2031-4-27	DF11Z-32DP-2V(27)	32	30.0	36.5	32.0	36.7
543-2032-7-27	DF11Z-40DP-2V(27)	40	38.0	44.5	40.0	44.7



NOTE 1 LEAD CO-PLANALITY INCLUDE REINFORCED METAL FITTING SHALL BE 0.1mm MAX.
 2 WHEN A PART MARKED WITH HAS A PATTERN AND NO RESIST ON IT, USE CARE TO PREVENT THE CONNECTOR TERMINAL FROM CONTACTING IT.
 3 MATERIAL IS SHOWN IN TABLE.



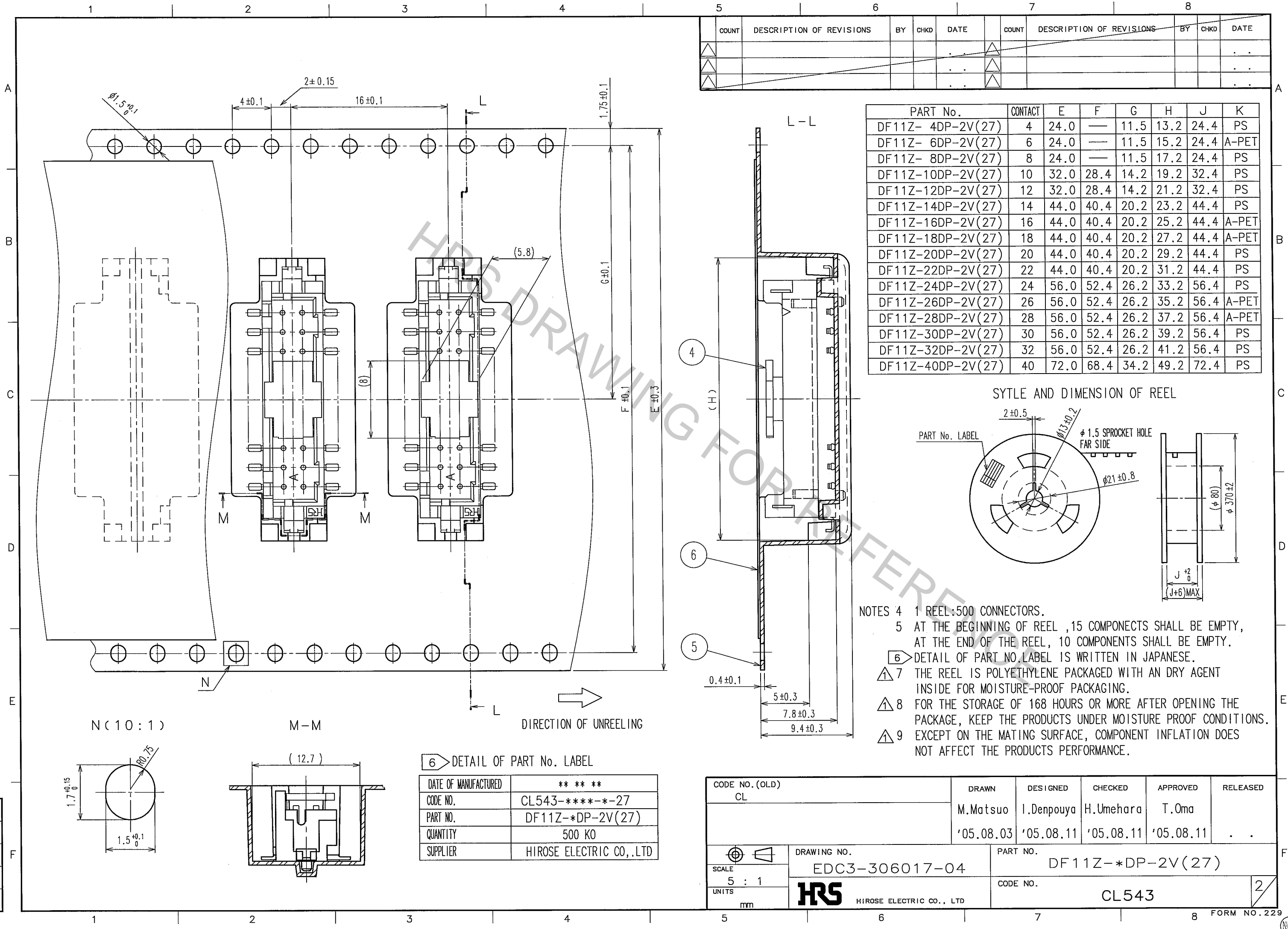
3	BRASS	SURFACE:TIN PLATED 1μ m min	6	POLYESTER	CLEAR, COVER TAPE
2	BRASS	SURFACE:TIN PLATED 1μ m min UNDER PLATING:NICKEL PLATED 0.5μ m min	5	K < 3	EMBOSSED CARRIER TAPE, CLEAR
1	POLYAMIDE	BEIGE, UL94V-0	4	POLYAMIDE	CAP, BLACK
NO.	MATERIAL	FINISH, REMARKS	NO.	MATERIAL	FINISH, REMARKS

CODE NO. (OLD)	DRAWN	DESIGNED	CHECKED	APPROVED	RELEASED
CL	M. Matsuo	I. Denpouya	H. Umehara	T. Oma	
	'05.08.03	'05.08.11	'05.08.11	'05.08.11	

SCALE	DRAWING NO.	PART NO.
5 : 1	EDC3-306017-04	DF11Z-*DP-2V(27)
UNITS	HIROSE ELECTRIC CO., LTD	CODE NO.
mm		CL543

TO

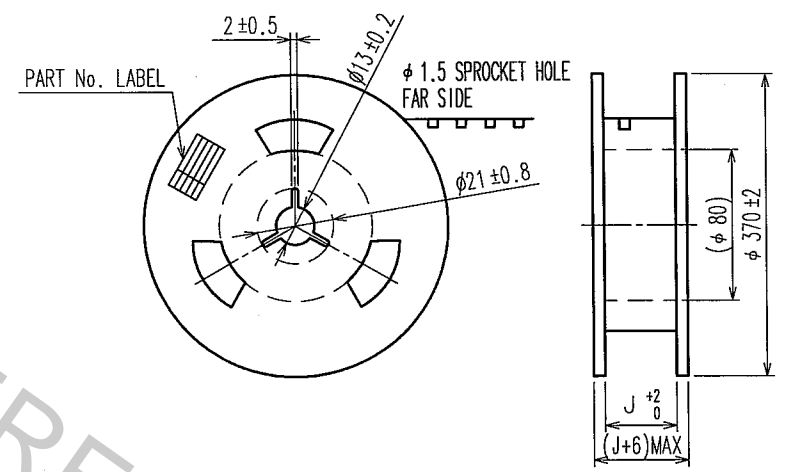
Apr.1.2017 Copyright 2017 HIROSE ELECTRIC CO., LTD. All Rights Reserved.



COUNT	DESCRIPTION OF REVISIONS	BY	CHKD	DATE	COUNT	DESCRIPTION OF REVISIONS	BY	CHKD	DATE

PART No.	CONTACT	E	F	G	H	J	K
DF11Z- 4DP-2V(27)	4	24.0	—	11.5	13.2	24.4	PS
DF11Z- 6DP-2V(27)	6	24.0	—	11.5	15.2	24.4	A-PET
DF11Z- 8DP-2V(27)	8	24.0	—	11.5	17.2	24.4	PS
DF11Z-10DP-2V(27)	10	32.0	28.4	14.2	19.2	32.4	PS
DF11Z-12DP-2V(27)	12	32.0	28.4	14.2	21.2	32.4	PS
DF11Z-14DP-2V(27)	14	44.0	40.4	20.2	23.2	44.4	PS
DF11Z-16DP-2V(27)	16	44.0	40.4	20.2	25.2	44.4	A-PET
DF11Z-18DP-2V(27)	18	44.0	40.4	20.2	27.2	44.4	A-PET
DF11Z-20DP-2V(27)	20	44.0	40.4	20.2	29.2	44.4	PS
DF11Z-22DP-2V(27)	22	44.0	40.4	20.2	31.2	44.4	PS
DF11Z-24DP-2V(27)	24	56.0	52.4	26.2	33.2	56.4	PS
DF11Z-26DP-2V(27)	26	56.0	52.4	26.2	35.2	56.4	A-PET
DF11Z-28DP-2V(27)	28	56.0	52.4	26.2	37.2	56.4	A-PET
DF11Z-30DP-2V(27)	30	56.0	52.4	26.2	39.2	56.4	PS
DF11Z-32DP-2V(27)	32	56.0	52.4	26.2	41.2	56.4	PS
DF11Z-40DP-2V(27)	40	72.0	68.4	34.2	49.2	72.4	PS

STYLE AND DIMENSION OF REEL



- NOTES
- 4 1 REEL:500 CONNECTORS.
 - 5 AT THE BEGINNING OF REEL ,15 COMPONECTS SHALL BE EMPTY, AT THE END OF THE REEL, 10 COMPONENTS SHALL BE EMPTY.
 - 6 DETAIL OF PART No. LABEL IS WRITTEN IN JAPANESE.
 - 7 THE REEL IS POLYETHYLENE PACKAGED WITH AN DRY AGENT INSIDE FOR MOISTURE-PROOF PACKAGING.
 - 8 FOR THE STORAGE OF 168 HOURS OR MORE AFTER OPENING THE PACKAGE, KEEP THE PRODUCTS UNDER MOISTURE PROOF CONDITIONS.
 - 9 EXCEPT ON THE MATING SURFACE, COMPONENT INFLATION DOES NOT AFFECT THE PRODUCTS PERFORMANCE.

6 DETAIL OF PART No. LABEL

DATE OF MANUFACTURED	** ** *
CODE NO.	CL543-*****-27
PART NO.	DF11Z-*DP-2V(27)
QUANTITY	500 KO
SUPPLIER	HIROSE ELECTRIC CO.,LTD

CODE NO. (OLD) CL	DRAWN M.Matsuo	DESIGNED I.Denpouya	CHECKED H.Umehara	APPROVED T.Oma	RELEASED .
	'05.08.03	'05.08.11	'05.08.11	'05.08.11	.
DRAWING NO. EDC3-306017-04	PART NO. DF11Z-*DP-2V(27)				
SCALE 5 : 1	CODE NO. CL543				
UNITS mm	2				