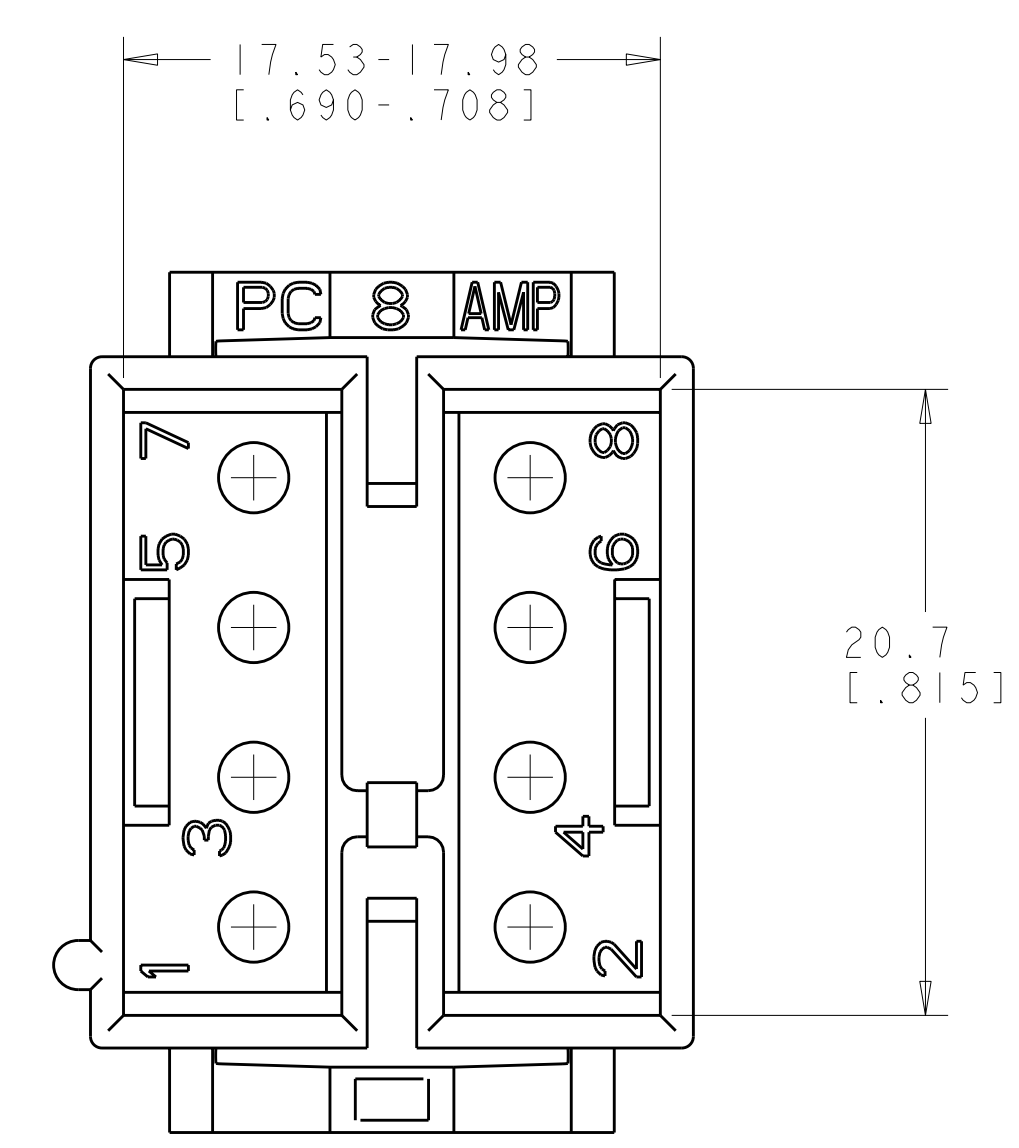
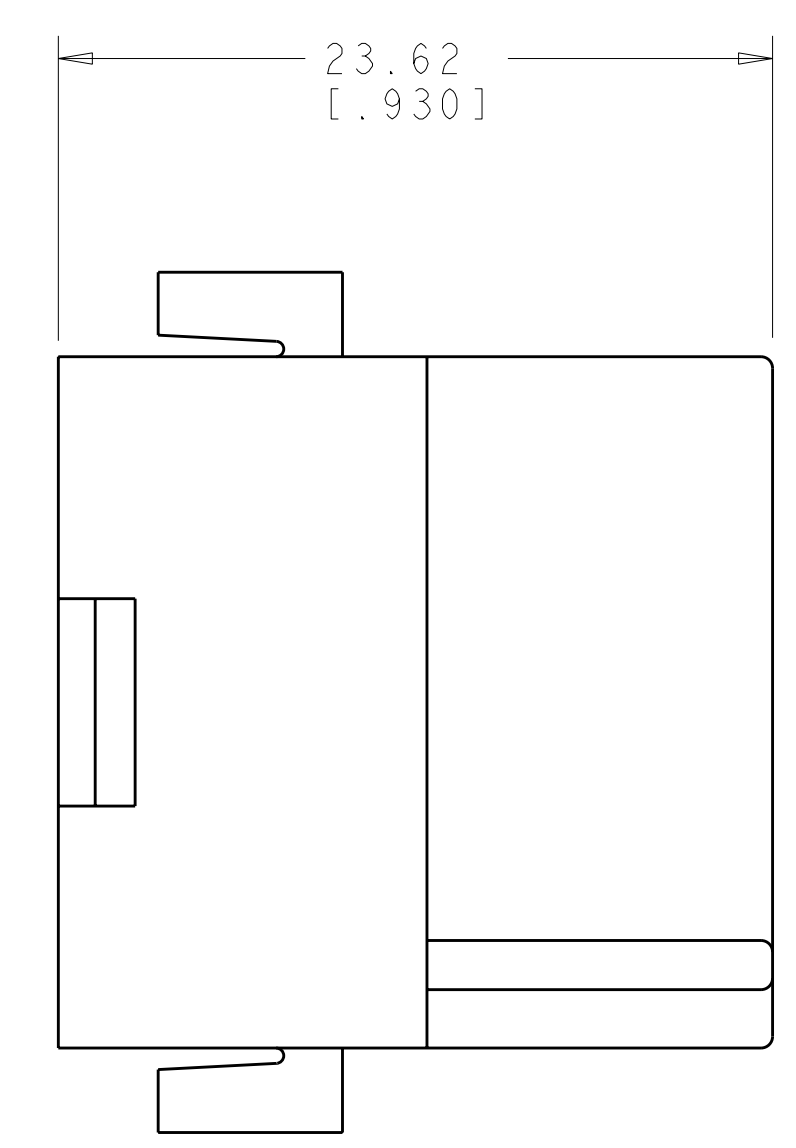
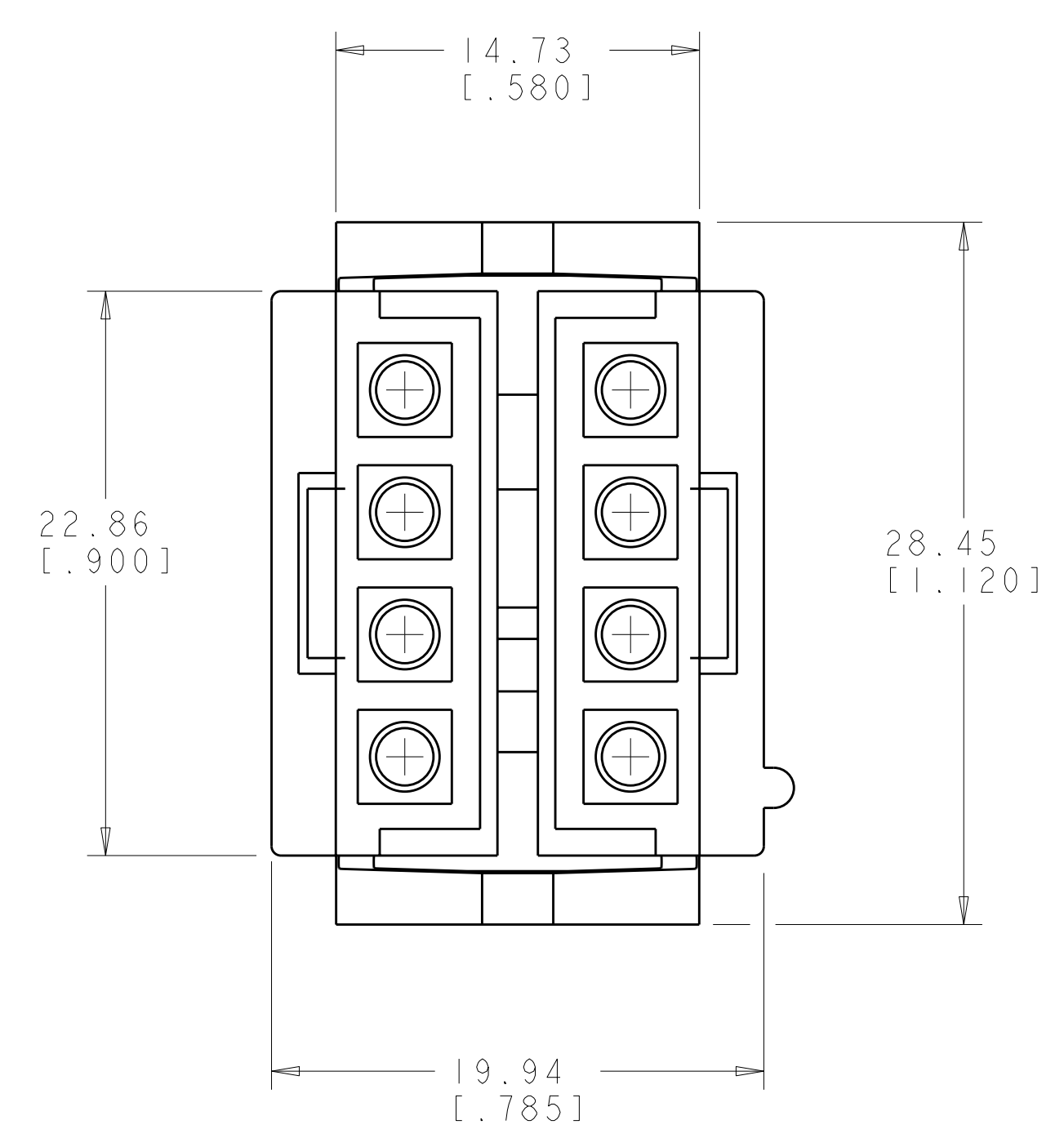
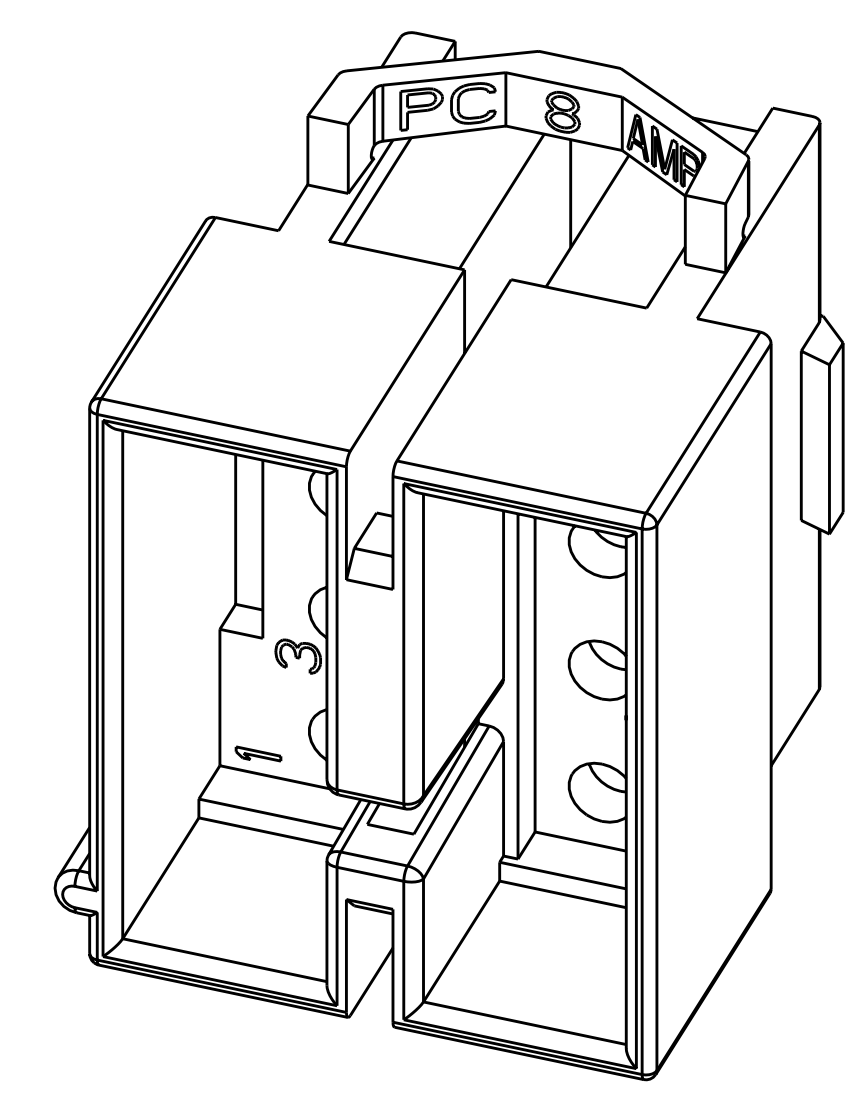
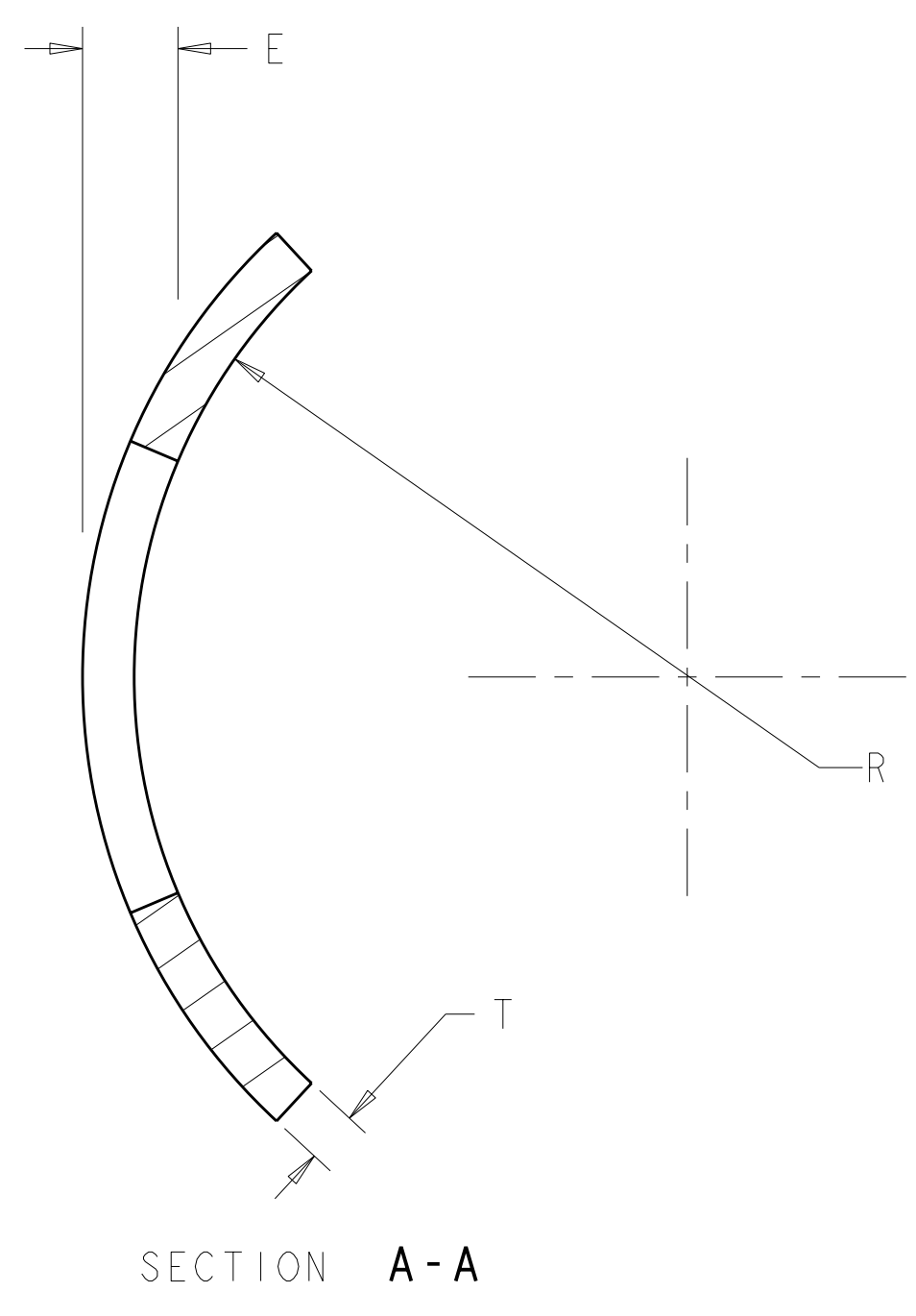
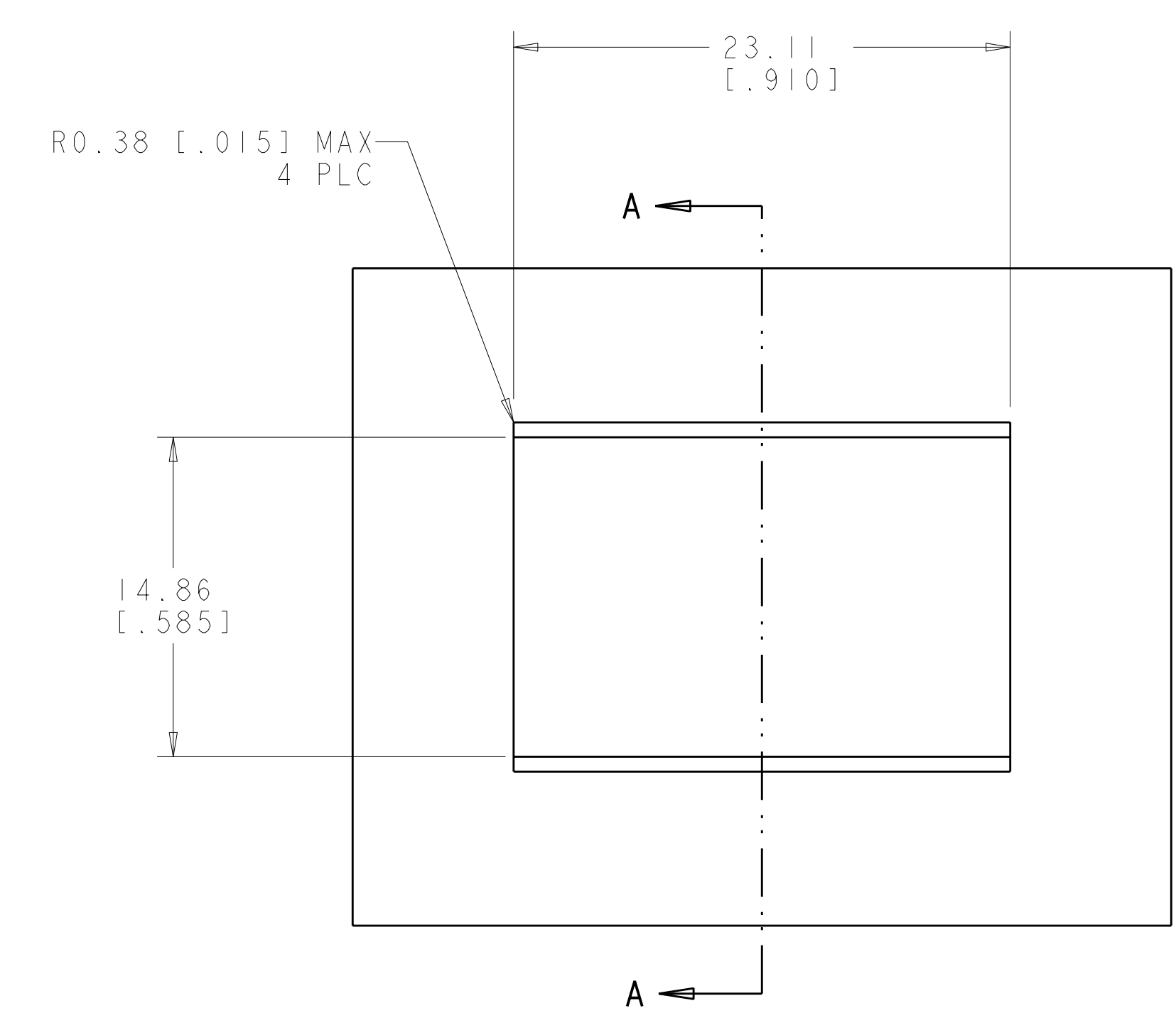
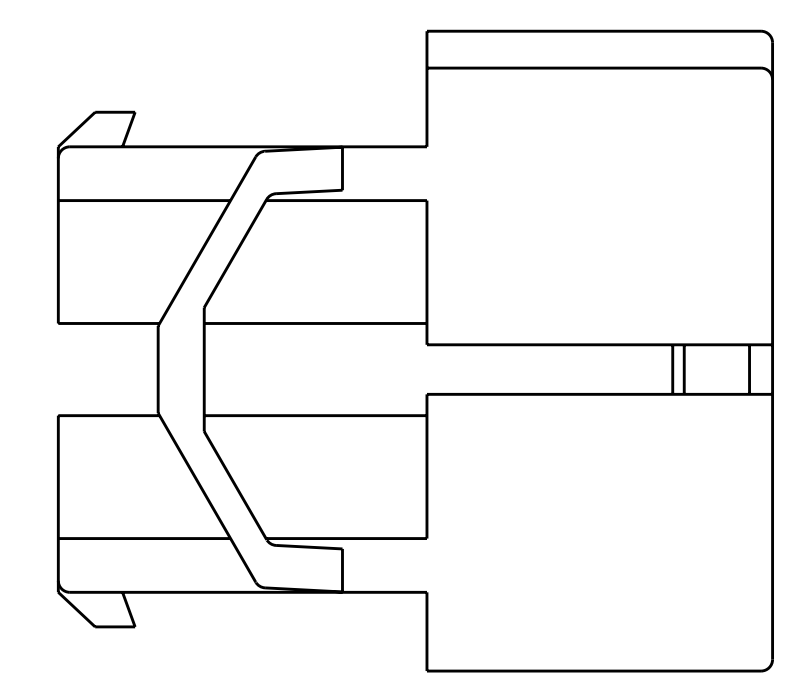


LOC	DIST	REVISIONS					
CM	00	P	LTB	DESCRIPTION	DATE	DWN	APVD
		G		ECO-07-030154	20DEC2007	KW	CC



1. TO BE USED WITH COMMERCIAL MATE-N-LOK™ PINS.
2. TO BE USED WITH PLUG 480283.
3. RECOMMENDED PANEL THICKNESS "E" IS 1.02-2.54 [0.040-.100] AND IS DEPENDENT ON "T" AND "R".
4. HOUSING MUST BE INSERTED IN A ROCKING MANNER.
5. THE PANEL MUST BE PUNCHED SO THAT THE HOUSING ENTERS THE PANEL IN THE SAME DIRECTION AS THE PUNCH.
6. MOTOR MOUNT HOUSINGS MAY BE USED IN FLAT PANELS.



RECOMMENDED CUT OUT

0.24 IN ³	1-480284-0
VOLUME	PART NUMBER

METRIC

<small>THIS DRAWING IS UNPUBLISHED. RELEASED FOR PUBLICATION BY TYCO ELECTRONICS CORPORATION. ALL RIGHTS RESERVED.</small>		DWN: R. WHITAKER CHK: C. CASH APVD: C. CASH	Z0DEC2007 Z0DEC2007 Z0DEC2007	Tyco Electronics Harrisburg, PA 17105-3608
DIMENSIONS: mm [INCHES]	TOLERANCES UNLESS OTHERWISE SPECIFIED: 9 PLC ± 1 PLC ±0.13 [0.005] 5 PLC ± 4 PLC ± ANGLES ±40° 30' FINISH -	NAME: PRODUCT SPEC: APPLICATION SPEC: WEIGHT:	NAME: CAP. 6 CIRCUIT, MOTOR MOUNT, COMMERCIAL MATE-N-LOK (TM)	RESTRICTED TO: SIZE: A CAGE CODE: 100779 DRAWING NO: C=480284
MATERIAL: NYLON, UL 94V-2 NATURAL		CUSTOMER DRAWING		SCALE: 4:1 SHEET: 1 OF 1 REV: G