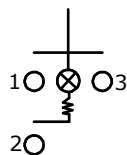
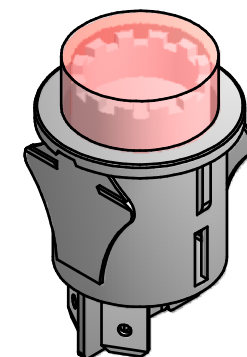
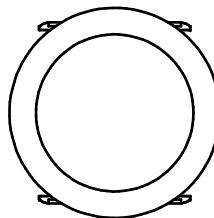


PANEL CUTOUT

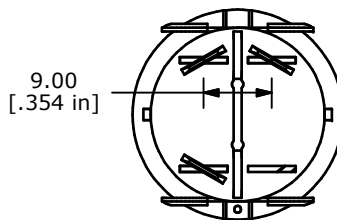
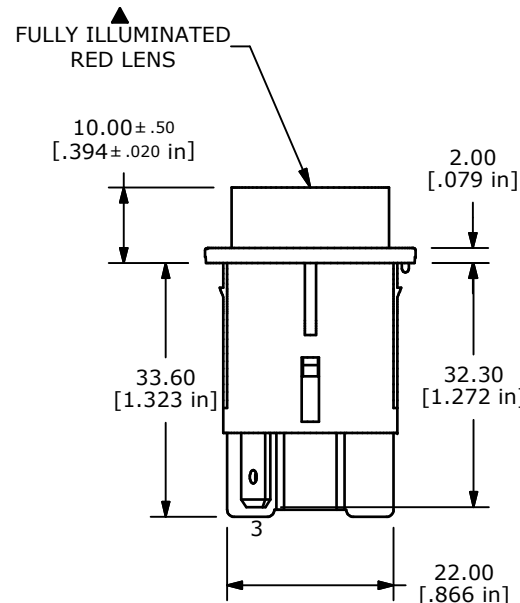
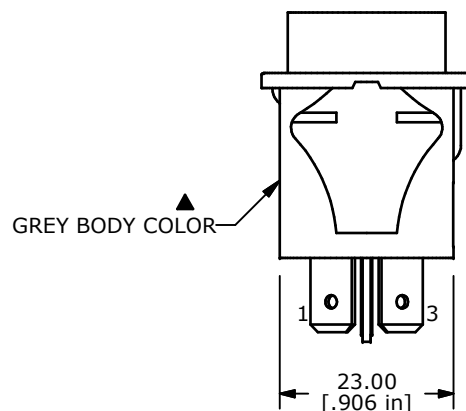


CIRCUIT: SPST
MAINTAINED



SWITCH FUNCTION	
POS. 1	POS. 2
OFF	ON
OPEN	1-3, 2

ON = MAINTAINED



NOTE:

1. ALL DIMENSIONS IN MM [INCH]
2. GENERAL TOLERANCE: X.X = 0.4
X.XX = 0.25
3. TERMINAL NO'S FOR REFERENCE ONLY.
- ▲ 4. CONTACT RATINGS:
16A 125VAC [UL,cUL]
3/4HP250VAC [UL,cUL]
16(6)A 250V~ 1E4 T125 [VDE]
10(4)A 250V~ 5E4 T125 [VDE]
5. CONTACT RESISTANCE: 35mΩ MAX. INITIAL @ 50VAC
6. INSULATION RESISTANCE: 100MΩ @ 500VDC
7. DIELECTRIC STRENGTH: 1500VAC FOR 1 MINUTE
8. ELERTICAL LIFE: 6,000 CYCLES [UR,cUR]
10,000 CYCLES [VDE]
50,000 CYCLES [VDE]
9. ▲ DENOTE CRITICAL PARAMETER
10. 2002/95/EC (ROHS) COMPLIANT
- ▲ 11. ILLUMINATION VOLTAGE: 24V
12. LENS COLOR: RED



TITLE PR141C4900-115

A	20811	PRE-RELEASE	10/9/12	EBP
REV	PCR NO	DESCRIPTION	DATE	BY

SCALE	DATE	DR	DWG	REV
	10/9/2012	EBP	38-PR141C4900115	A

THE INFORMATION CONTAINED IN THIS DOCUMENT IS PROPRIETARY TO E-SWITCH AND IS NOT TO BE COPIED OR TRANSFERRED