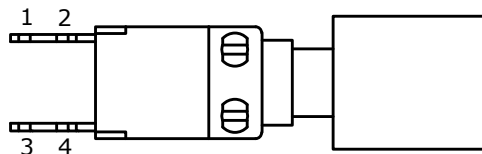
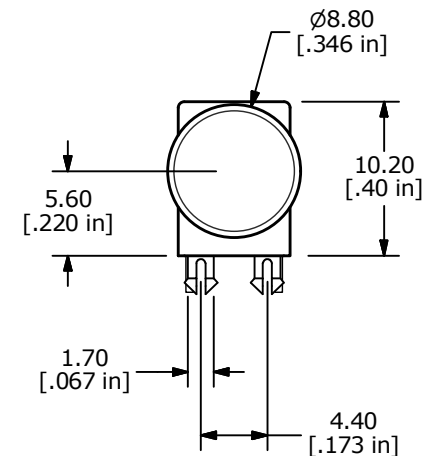
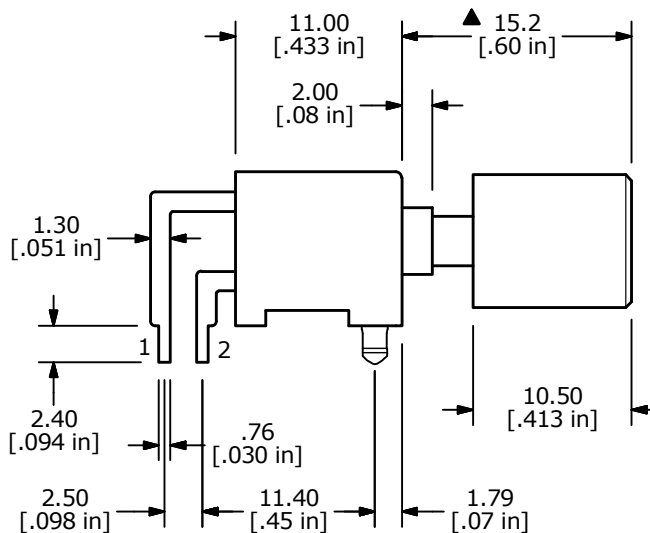


▲ CAP COLOR: BLACK  
(SHOWN WITH CAP)  
(CAPS DO NOT COME  
ASSEMBLED TO THE SWITCH)



NOTES:

1. ALL DIMENSIONS IN MM [INCH]
2. GENERAL TOLERANCE: x.x = ± 0.4mm  
x.xx = ± 0.25mm
3. RATING: 3A 30VDC
4. TERMINALS: COPPER, SILVER PLATED
- ▲ 5. TRAVEL: LATCHING: 2.2 ± .3mm  
FULL TRAVEL: 3.2 ± .3mm  
SWITCH to MAKE: 1.8 ± .3mm
6. FUNCTION: OFF-ON (LATCHING)
7. ELECTRICAL LIFE: 6,000 CYCLES
8. OPERATING TEMPERATURE: -5°C to 60°C
9. CONTACT RESISTANCE: 30mΩ MAX.
10. INSULATION RESISTANCE: 500MΩ MIN@ 500V
11. ▲ DENOTES CRITICAL PARAMETER.
12. 2011/65/EU (RoHS) COMPLIANT
- ▲ 13. CAPS ARE TO COME IN BULK IN A PLASTIC BAG



A	23055	New Release	11/10/17	MW
REV	PCR NO	DESCRIPTION	DATE	BY

TITLE PB400EEQR1BLK				
SCALE	DATE	DR	DWG	REV
2:1	11/10/2017	MW	T004000	A

THE INFORMATION CONTAINED IN THIS DOCUMENT IS PROPRIETARY TO E-SWITCH AND IS NOT TO BE COPIED OR TRANSFERRED