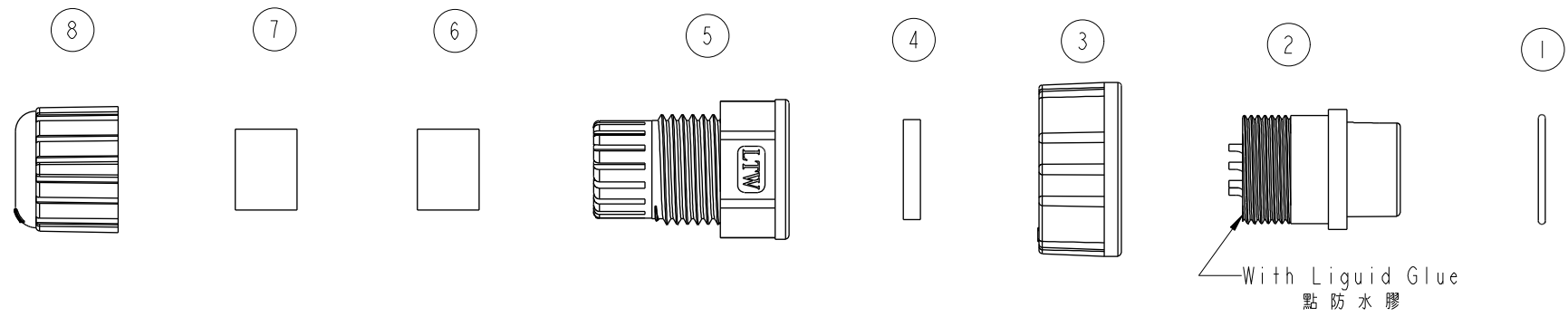


THIS DOCUMENT IS SUBJECT TO CHANGE WITHOUT NOTICE. IT IS CONFIDENTIAL AND A PROPERTY OF Amphenol LTW. DISCLOSURE TO THIRD PARTY HAS TO BE AUTHORIZED BY Amphenol LTW.

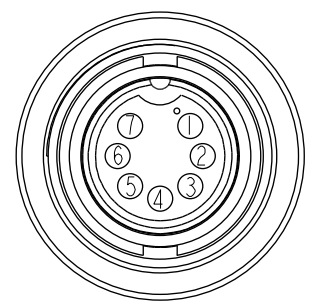
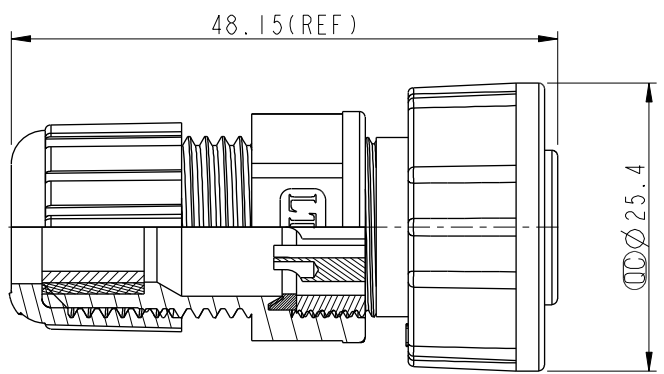
REV.	ECN NO.	DATE	SIGN	DESCRIPTION



ALTW
 CONFIDENTIAL
 2012-04-11
 R&D DEPT.

ALTW
 DCC. DEPT.
 CONFIDENTIAL
 2012-05-15
ISSUED

- Note:
- * \varnothing Important Dimension
(\varnothing 為重點檢驗尺寸)
 - * Waterproof Rate : IP67
 - * Seals B1 for Cable OD: $\varnothing 7.6\text{mm} \sim \varnothing 9.6\text{mm}$
(防水墊圈B1線徑: $\varnothing 7.6\text{mm} \sim \varnothing 9.6\text{mm}$)
 - * Seals B2 for Cable OD: $\varnothing 4.0\text{mm} \sim \varnothing 7.6\text{mm}$
(防水墊圈B2線徑: $\varnothing 4.0\text{mm} \sim \varnothing 7.6\text{mm}$)
 - * One Set Unassembled in One PE Bag.
(每一組未組裝, 放置於一個PE袋, 並封口)
 - * Ring: Black, EPDM
 - * Housing: Black, Nylon+GF
 - * Pin: Copper Alloy, Gold Plated
 - * Screw Nut: Black, Nylon+GF
 - * Gasket : Black, EPDM
 - * Seals : Black, EPDM
 - * Clamp Ring: Black, Nylon
 - * Sealing Nut: Black, Nylon
 - * Liquid Glue: Clear



Pin Assignments
Front View 前視圖

UNIT: mm 	TITLE Middle Assy Screw 7Pin F Conn M Pin		<h1 style="text-align: center;">Amphenol LTW</h1> <h2 style="text-align: center;">安費諾亮泰企業股份有限公司</h2>		ITEM NO. CD-07BFMA-SL7001	DRAWN BY SamChang	DATE 2012-04-11
	SCALE 1:1	SIZE A4			SHEET 1 OF 1	DWG NO. CD-07BFMA-SL7001	CHECKED BY Jeffrey
	TOLERANCE .X ±0.25 .XX ±0.1 .XXX ±0.05 ANGLES ±1°	REV. A	WC-REV. A.2	\varnothing : Inspection item	CUSTOMER ALTW	APPROVED BY Lion	DATE 2012-05-15