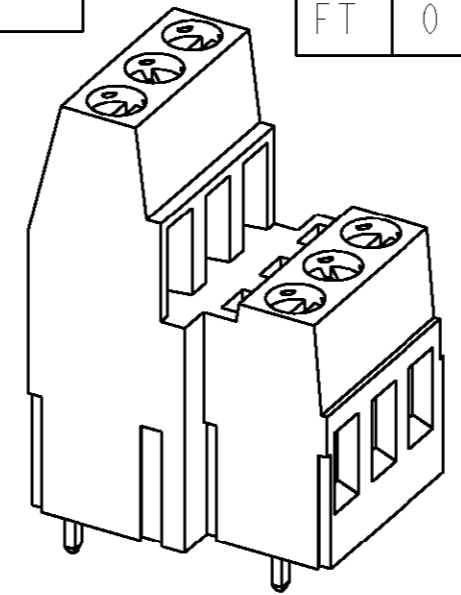
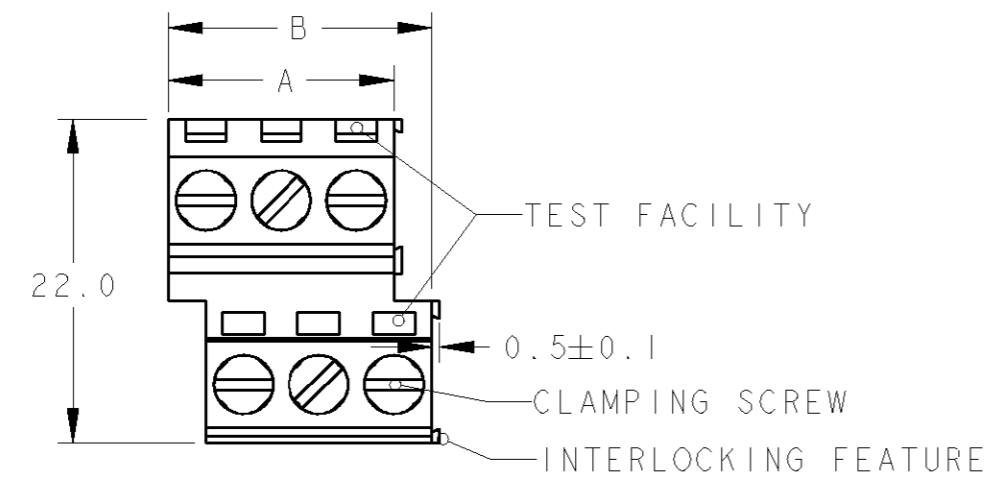


THIS DRAWING IS UNPUBLISHED. RELEASED FOR PUBLICATION 20  
 © COPYRIGHT 20 BY TYCO ELECTRONICS CORPORATION. ALL RIGHTS RESERVED.

LOC FT DIST 0

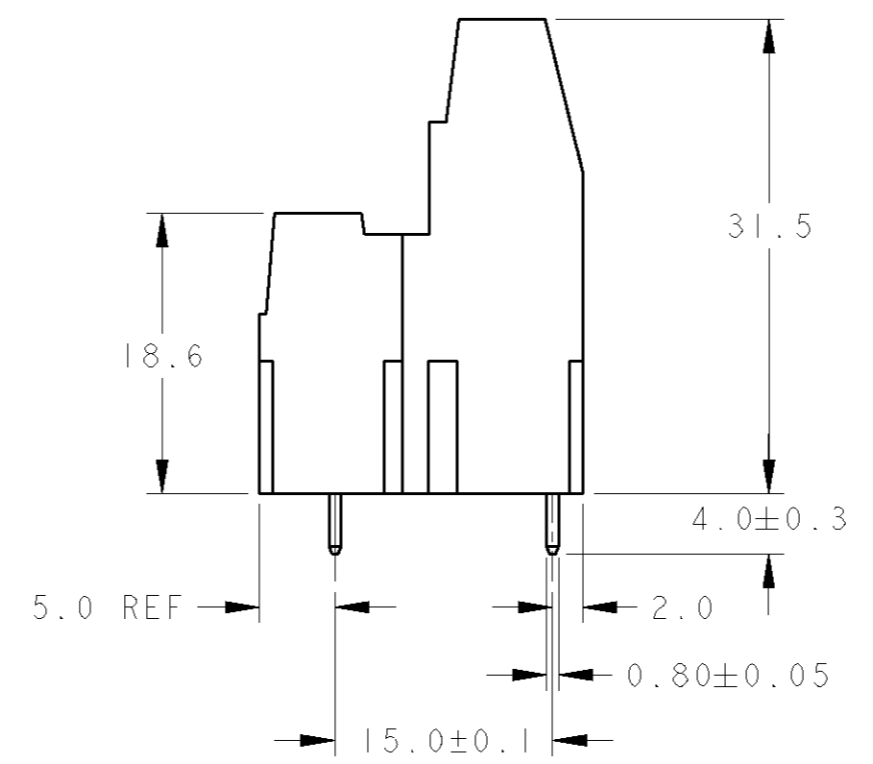
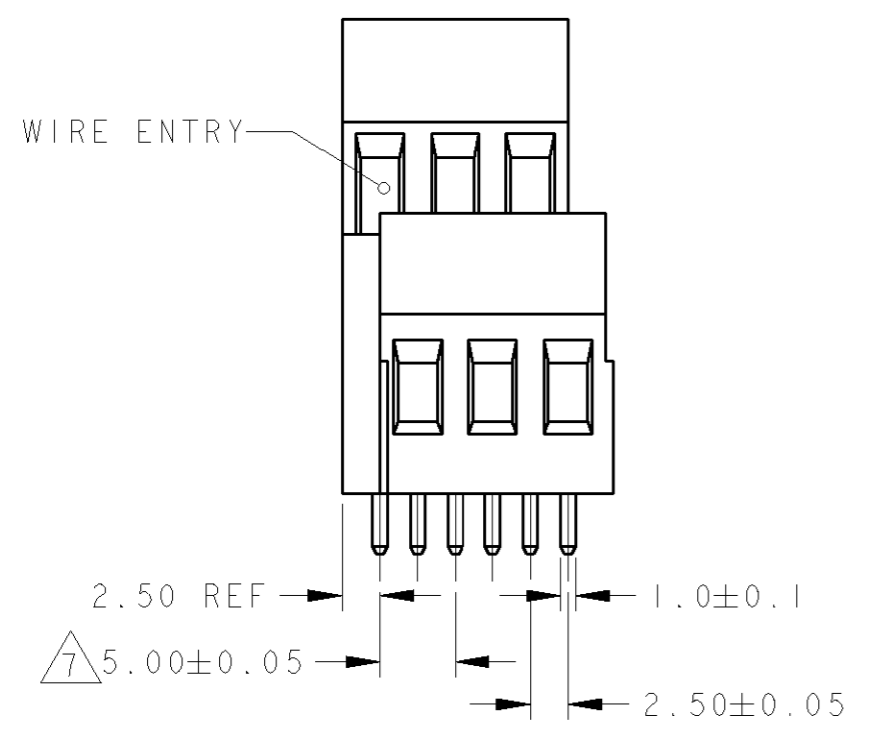
REVISIONS					
P	LTR	DESCRIPTION	DATE	DWN	APVD
	C	REVISED PER 0G3B-0119-01	19DEC2001	EZ	DB
	D	REVISED EC 0G3B-0808-04	13OCT2004	SW	CR



282908-3 AS SHOWN

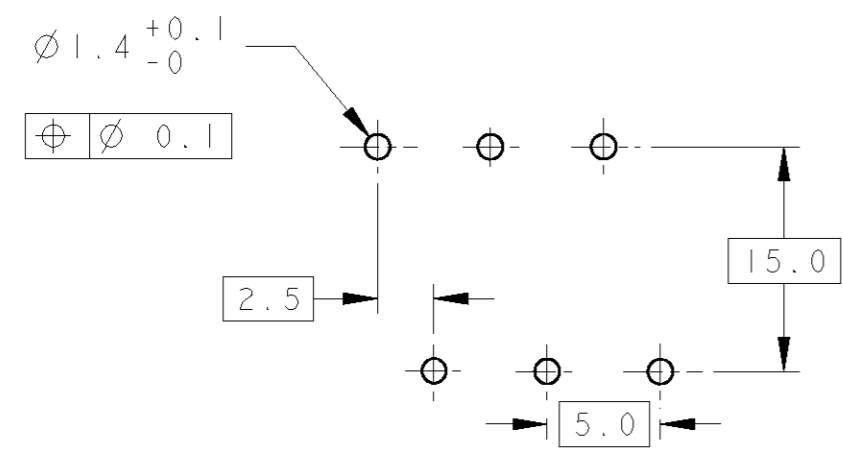
- 1 MATERIALS AND FINISH  
 HOUSING: PA 6-6, UL 94-V0, COLOR GREEN.  
 CLAMP: BRASS, NICKEL PLATED.  
 TERMINAL: BRASS, TIN PLATED.  
 CLAMPING SCREW: M3, BRASS, NICKEL PLATED.
- 2 SUITABLE FOR 1,6-2,4mm PC BOARD THICKNESS.
- 3 END-TO-END STACKABLE W/INTERLOCK WITHOUT LOSS OF CENTERLINE SPACING.
- 4 WIRE SIZE RANGE  
 12 - 30 AWG
- 5 RECOGNIZED UNDER THE COMPONENT PROGRAM OF UNDERWRITERS LABORATORIES INC. FILE N° E60677.
- 6 IMQ CERTIFICATE WITH SURVEILLANCE IN CONFORMITY WITH IEC 998-1/998-2-1.

7 NOT CUMULATIVE TOLERANCE.



22.5	20	4	282908-4
17.5	15	3	282908-3
12.5	10	2	282908-2
B	A	NO OF POSN	PART NUMBER

RECOMMENDED PC BOARD LAYOUT



THIS DRAWING IS A CONTROLLED DOCUMENT FOR TYCO ELECTRONICS CORPORATION IT IS SUBJECT TO CHANGE AND THE CONTROLLING ENGINEERING ORGANIZATION SHOULD BE CONTACTED FOR THE LATEST REVISION.		DWN 19DEC2001 E. ZANOLINI	<b>BUCHANAN</b> Tyco Electronics Harrisburg, PA 17105-3608
DIMENSIONS: mm		CHK 19DEC2001 D. BIEVENOUR	
TOLERANCES UNLESS OTHERWISE SPECIFIED:		APVD 19DEC2001 D. BIEVENOUR	NAME TERMINAL BLOCK, PCB MOUNT 1ST AND 2ND LEVEL STACKING W/INTERLOCK, 5mm PITCH
0 PLC ± 1 PLC ±.3 2 PLC ±.25 3 PLC ± 4 PLC ± ANGLES ±2		PRODUCT SPEC 108-20166	RESTRICTED TO
MATERIAL		APPLICATION SPEC 114-20079	SIZE CAGE CODE DRAWING NO A3 00779 C=282908
FINISH		WEIGHT -	SCALE 2:1 SHEET 1 OF 1 REV D
CUSTOMER DRAWING			