

SAFETY ORGANIZATION(S):

THIS FILTER HAS BEEN FORMALLY RECOGNIZED, CERTIFIED OR APPROVED BY THE LISTED AGENCY. THEREFORE, ALL TEST/REQUIREMENTS SPECIFIED IN THE LATEST REVISION OF THE FOLLOWING AGENCY STANDARDS HAVE BEEN MET:

- UL 1283
- UL RECOGNIZED
- CSA 22.2, NO.0.0.4,8
- CSA CERTIFIED
- VDE APPROVED
- VDE 565-3

OPERATING SPECIFICATIONS:

- LINE VOLTAGE/CURRENT: 6 AMP., 120/250 VAC
- 5 AMP./40°C, 250VAC
- 50-60Hz
- LINE FREQUENCY: 1.25mA @ 120V 60Hz
- MAX. LEAKAGE CURRENT, EACH LINE TO GROUND: 2.10mA @ 250V 50Hz
- OPERATING AMBIENT TEMP. RANGE: -10°C TO +40°C @ RATED CURRENT, I_r

IN AN AMBIENT, T_a, HIGHER THAN 40°C, THE MAXIMUM OPERATING CURRENT, I_o, IS AS FOLLOWS:

$$I_o = I_r \sqrt{\frac{85-T_a}{45}}$$

RELIABILITY SPECIFICATIONS:

- STORAGE TEMPERATURE: -25°C TO +85°C
- HUMIDITY: 21 DAYS @ 40°C 95% RH
- CURRENT OVERLOAD TEST: 6 TIMES RATED CURRENT FOR 8 SECONDS

TEST SPECIFICATIONS:

- INDUCTANCE: 4.47mH NOMINAL
- CAPACITANCE: (MEASURED @ 1 KHz, 0.25 VAC MAX., 25°C ±1°C)
 - LINE TO GROUND: .015µF ±20%
 - LINE TO LINE: .95µF ±20%
- DISCHARGE RESISTOR: 330KΩ
- LINE/GROUND AND LINE/LINE INSULATION RESISTANCE: 6000 MΩ (MIN) AT 100 VDC
- (W/O DISCHARGE RESISTOR) 20°C AND 50% RH

RECOMMENDED RECEIVING INSPECTION HIPOUT:

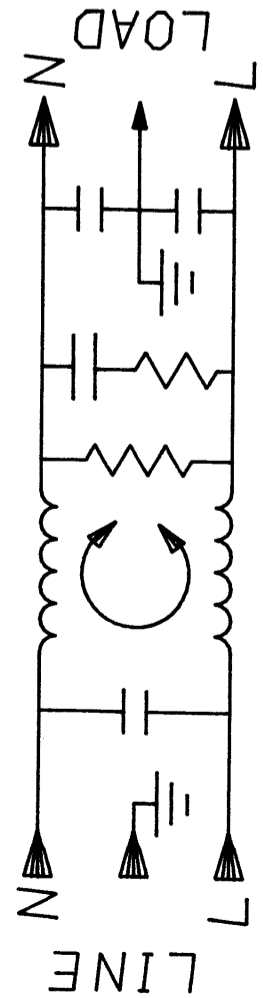
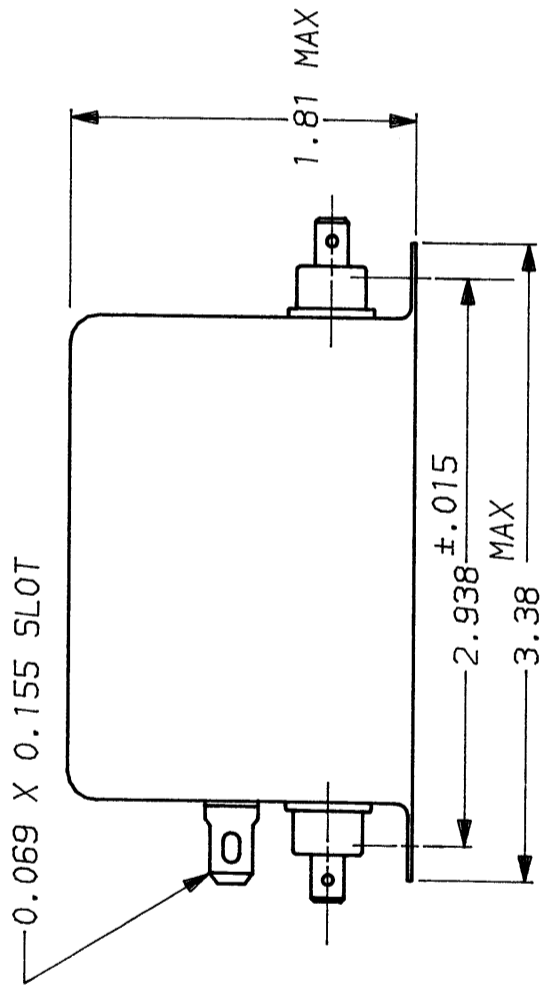
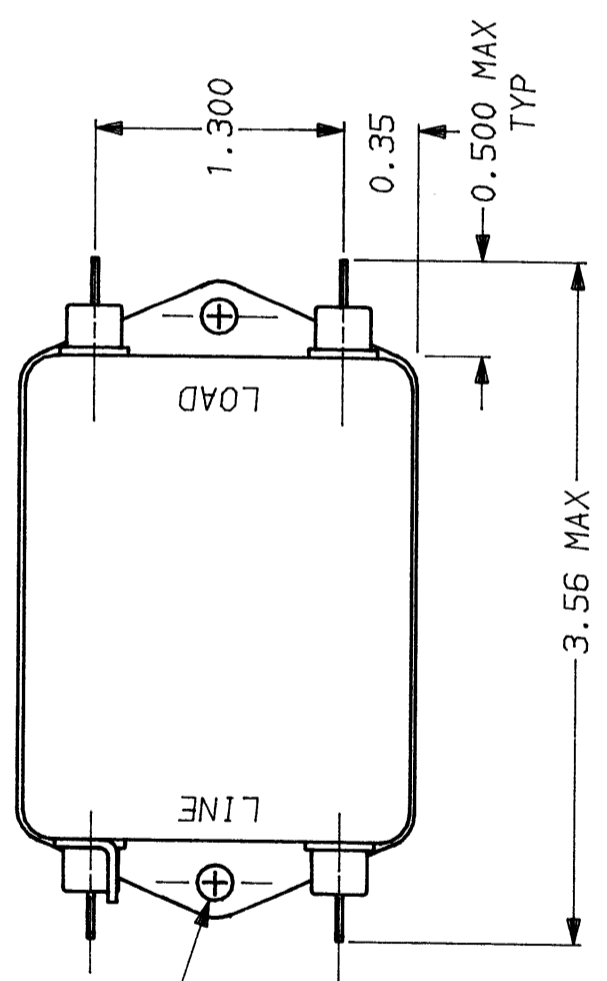
- LINES TO GROUND: 2250 VDC FOR 1 MINUTE
- LINE TO LINE: 1450 VDC FOR 1 MINUTE

FILTER APPROVAL:

THE BEST WAY TO SELECT AND QUALIFY A FILTER IS FOR YOUR ENGINEERING TO TEST THE UNIT IN YOUR EQUIPMENT.

50Ω - 50Ω (MINIMUM) INSERTION LOSS													
FREQUENCY MHz	.01	.03	.04	.05	.1	.15	.5	1	5	10	15	20	30
COMMON	6	15	17	20	28	34	58	54	53	43	40	43	43
DIFF. dB	6	5	5	20	41	52	72	77	72	60	60	60	60

This document is proprietary to CORCOM INC. and is not to be reproduced nor used for manufacturing purposes except on CORCOM's order or prior written consent.



TOLERANCE EXCEPT AS NOTED
 DECIMAL: .XXX .XX .X ANGLES ± 1°
 ENGLISH: ±.025
 METRIC: ±
 MATERIAL: AS SUPPLIED

CORCOM
 LIBERTYVILLE, IL 60048

POWER LINE FILTER

SCALE	DATE	DRG. NO.	REV.
NTS	5-12-88	6VN1	05
DRN. BY	ORIGINATOR		
TDL	CW		