

THIS DRAWING IS UNPUBLISHED.

RELEASED FOR PUBLICATION

,19 .

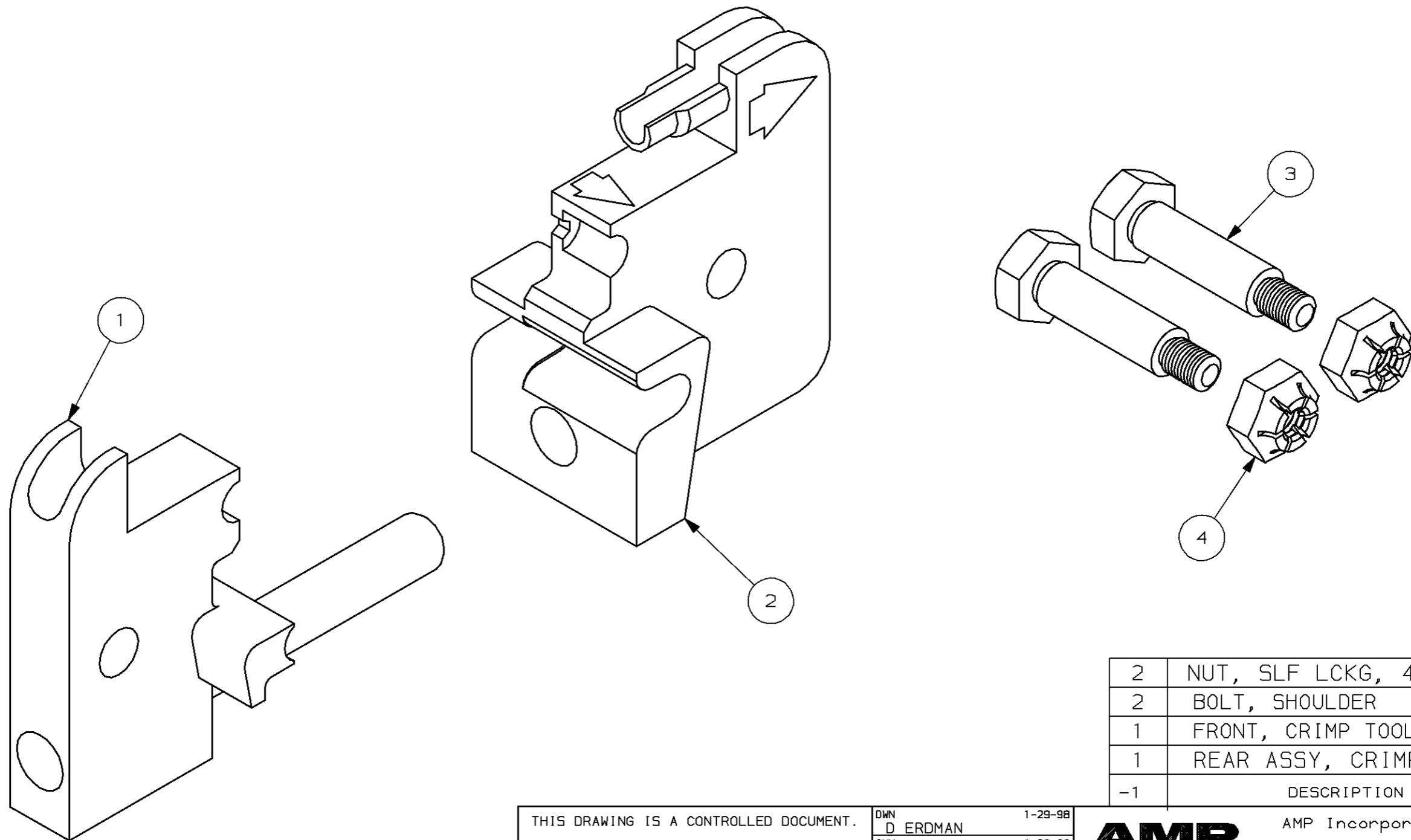
© COPYRIGHT 19

BY AMP INCORPORATED. ALL RIGHTS RESERVED.

LOC  
CE 16

REVISIONS

P	LTR	DESCRIPTION	DATE	DWN	APVD
0		REL PER NPR 98-030	1-29-98	DDE	JD



2	NUT, SLF LCKG, 4-40	4
2	BOLT, SHOULDER	3
1	FRONT, CRIMP TOOL	2
1	REAR ASSY, CRIMP TOOL	1
-1	DESCRIPTION	ITEM NO

THIS DRAWING IS A CONTROLLED DOCUMENT.

DIMENSIONS:	DIMENSIONS	TOLERANCES UNLESS OTHERWISE SPECIFIED:
mm		
	0 PLC	±-
	1 PLC	±-
	2 PLC	±-
	3 PLC	±-
	4 PLC	±-
	ANGLES	±-
MATERIAL	FINISH	-

DWN	D ERDMAN	1-29-98
CHK	J DAVIS	1-29-98
APVD	K MONROE	1-29-98
PRODUCT SPEC	-	-
APPLICATION SPEC	-	-
WEIGHT	-	-

<b>AMP</b>		AMP Incorporated	
		Harrisburg, PA 17105-3608	
NAME DIESET W/PROCRIMPER LightCrimp Plus SC			
SIZE	CAGE CODE	DRAWING NO	RESTRICTED TO
A3	00779	C- 492783	-

CUSTOMER DRAWING	SCALE	SHEET	OF	REV
	4:1	1	1	0