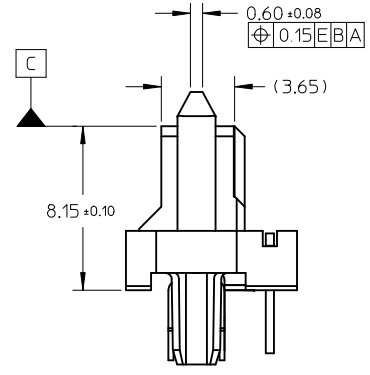
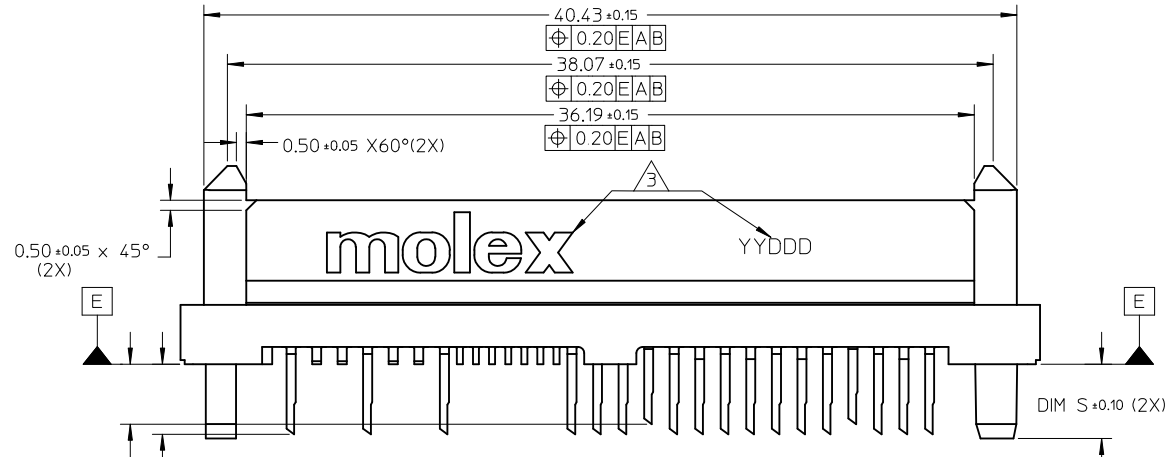
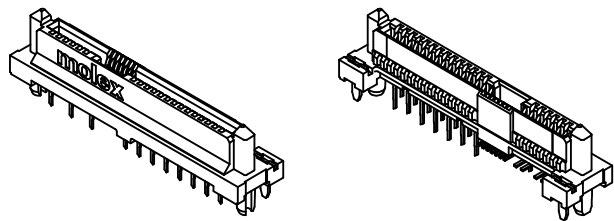


- NOTES:
- MATERIAL: LIQUID CRYSTALLINE POLYMER (LCP), GLASS FILLED, UL 94V-0, COLOR: BLACK  
TERMINAL: COPPER ALLOY
  - PLATING:  
CONTACT: 0.76µm MIN. SELECTIVE GOLD OVER 1.27µm MIN. NICKEL UNDERPLATE.  
SOLDERTAIL: 2.54µm MIN. TIN OVER 1.27 µm MIN. NICKEL UNDERPLATE.
  - MOLEX LOGO AND DATE CODE LOCATED APPROXIMATELY AS SHOWN.
  - PACKAGING: SEE TABLE
  - PRODUCT IS COMPLIANT TO RoHS DIRECTIVE WITH THE FOLLOWING BANNED SUBSTANCES - LEAD, MERCURY, CADMIUM, HEXAVALENT CHROMIUM, POLYBROMINATED BIPHENYLS AND POLYBROMINATED DIPHENYL ETHERS.
  - PRODUCT SPECIFICATION PS-87839-041 APPLIES.
  - MATES WITH: SFF-8482 PLUG  
SATA PLUG SERIES: 87679, 87703, 87799



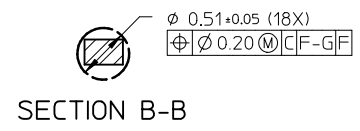
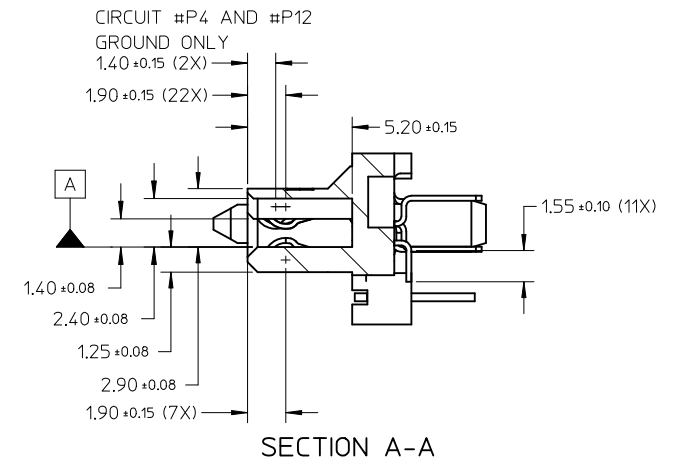
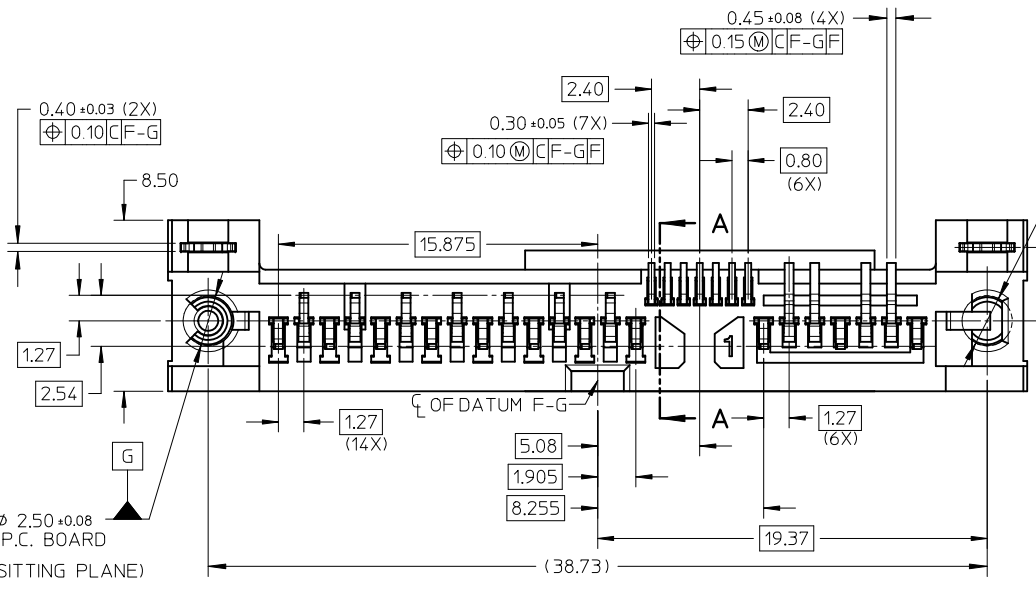
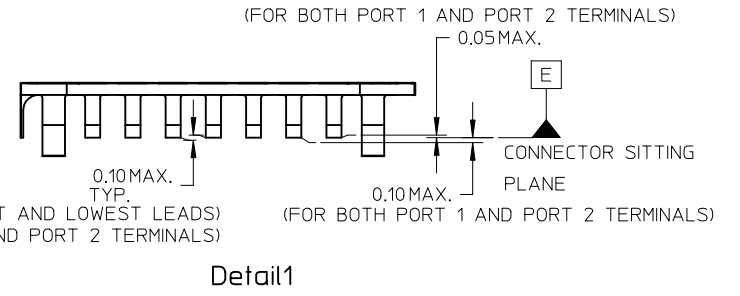
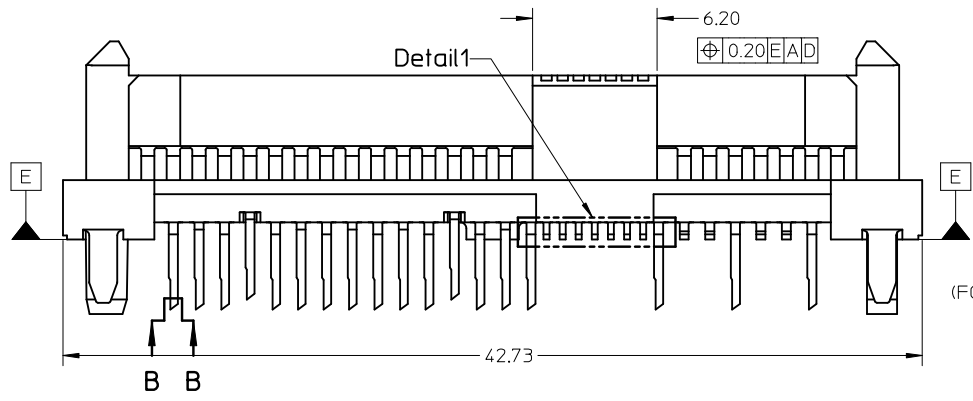
DIM Q ± 0.15 (2X)  
DIM P ± 0.15 (2X)



STANDARDISED TRAY EC NO: S2012-0424 2011/11/22 DRWN:ATSEE CHKD:SKANG 2011/12/01 APPR:MLONG 2011/12/01	QUALITY SYMBOLS	GENERAL TOLERANCES (UNLESS SPECIFIED)	DIMENSION STYLE	SCALE	DESIGN UNITS	THIRD ANGLE PROJECTION	
	▽=0 ∇=0	mm INCH	MM ONLY	NTS	METRIC		
		4 PLACES ± --- ± --- 3 PLACES ± --- ± --- 2 PLACES ± 0.20 ± --- 1 PLACE ± --- ± ---	DRAWN BY DATE DKOH 2004/11/23	TITLE SERIAL ATTACH SCSI RECEPTACLE, HYBRID STANDARD HEIGHT			
		ANGULAR ± 3 °	CHECKED BY DATE KCLING 2004/12/01	MOLEX INCORPORATED			
		DRAFT WHERE APPLICABLE MUST REMAIN WITHIN DIMENSIONS	APPROVED BY DATE SKTOH 2004/12/01	MATERIAL NO. SEE TABLE	DOCUMENT NO. SD-87839-040	SHEET NO. 1 OF 4	

DRAFT WHERE APPLICABLE MUST REMAIN WITHIN DIMENSIONS		THIS DRAWING CONTAINS INFORMATION THAT IS PROPRIETARY TO MOLEX INCORPORATED AND SHOULD NOT BE USED WITHOUT WRITTEN PERMISSION	
--	--	---	--

10 9 8 7 6 5 4 3 2 1



STANDARDISED TRAY	QUALITY SYMBOLS
EC NO: S2012-0474	$\nabla = 0$
DRWN: AISEE	$\square = 0$
CHKD: SKANG	
APPR: MLONG	
REV	

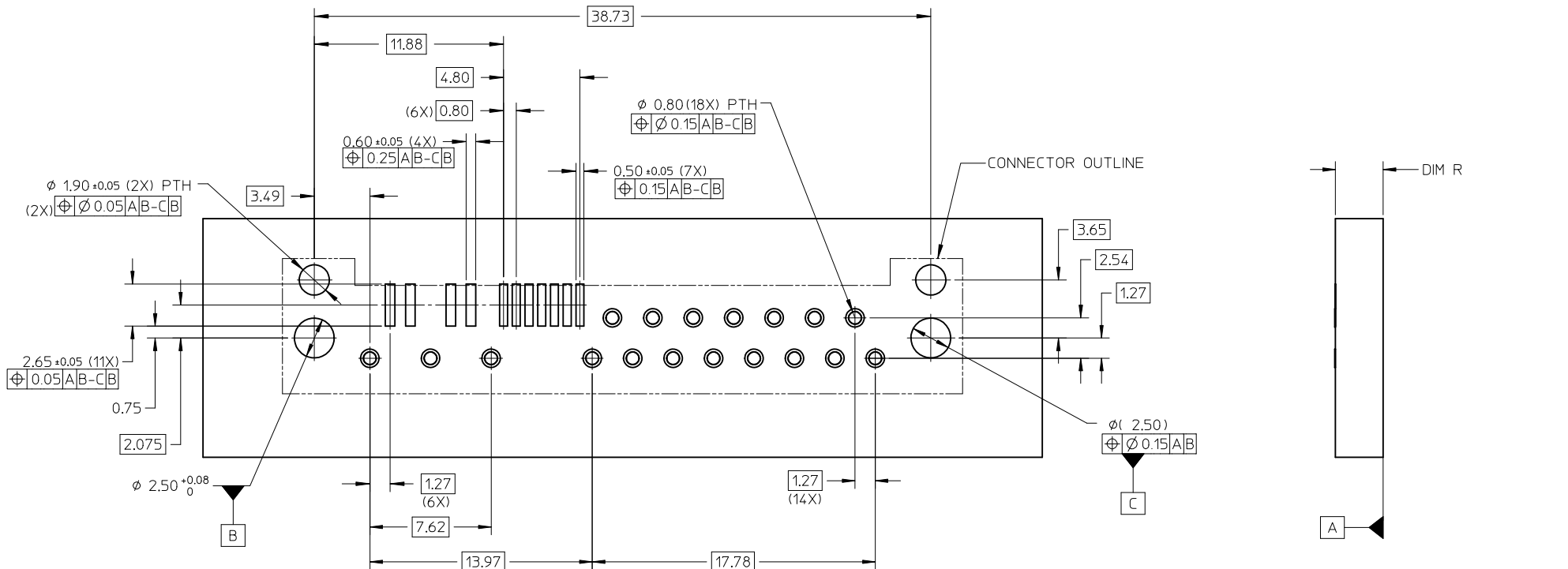
GENERAL TOLERANCES (UNLESS SPECIFIED)	
mm	INCH
4 PLACES ± ---	± ---
3 PLACES ± ---	± ---
2 PLACES ± 0.20	± ---
1 PLACE ± ---	± ---
ANGULAR ± 3 °	
DRAFT WHERE APPLICABLE MUST REMAIN WITHIN DIMENSIONS	

DIMENSION STYLE	
MM ONLY	
DRAWN BY	DATE
DKOH	2004/11/23
CHECKED BY	DATE
KCL ING	2004/12/01
APPROVED BY	DATE
SKTOH	2004/12/01
MATERIAL NO.	
SEE TABLE	
SIZE	
A3	

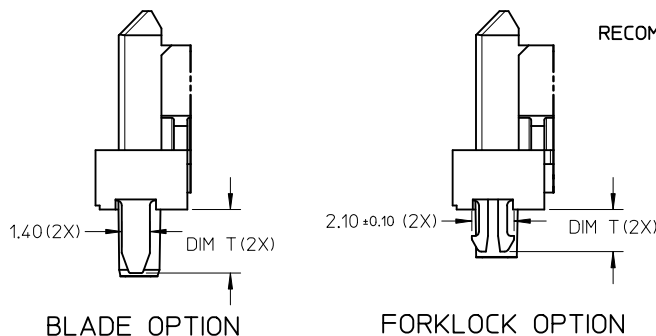
SCALE	DESIGN UNITS	THIRD ANGLE PROJECTION
NTS	METRIC	
TITLE		
SERIAL ATTACH SCSI RECEPTACLE, HYBRID STANDARD HEIGHT		
MOLEX INCORPORATED		
DOCUMENT NO.	SHEET NO.	
SD-87839-040	2 OF 4	
THIS DRAWING CONTAINS INFORMATION THAT IS PROPRIETARY TO MOLEX INCORPORATED AND SHOULD NOT BE USED WITHOUT WRITTEN PERMISSION		

9 8 7 6 5 4 3 2 1

10	9	8	7	6	5	4	3	2	1
PART NO	PACKAGING	QUANTITY	HOLD DOWN	PICK AND PLACE CAP	DIM P (16X) (PORT 1 AND POWER PORT) (EXCLUDING P4 AND P12)	DIM Q (2X) (PORT P4 AND P12)	DIM R PCB THICKNESS	DIM S (2X) PEG HEIGHT	DIM T (2X) BLADE/FORKLOCK HEIGHT
87839-0011	TRAY	50/TRAY	BLADE	YES	3.49±0.15	2.99±0.15	3.00±0.10	3.70±0.10	3.12
87839-0019	TRAY	50/TRAY	BLADE	NO	3.49±0.15	2.99±0.15	3.00±0.10	3.70±0.10	3.12
87839-0017	TAPE AND REEL	350/REEL	BLADE	YES	3.49±0.15	2.99±0.15	3.00±0.10	3.70±0.10	3.12
87839-0018	TAPE AND REEL	350/REEL	BLADE	YES	2.36±0.15	2.36±0.15	2.36±0.10	2.00±0.10	2.36
87839-0039	TAPE AND REEL	350/REEL	FORKLOCK	YES	2.11±0.15	2.11±0.15	2.36±0.10	2.00±0.10	2.06



RECOMMENDED PCB LAYOUT  
RECOMMENDED PCB THICKNESS DIM R±0.10



STANDARDISED TRAY	DESCRIPTION
EC NO: S2012-0474	2011/11/22
DRW:WATSEE	2011/12/01
CHK:D.SKANG	2011/12/01
APPR:MLONG	2011/12/01

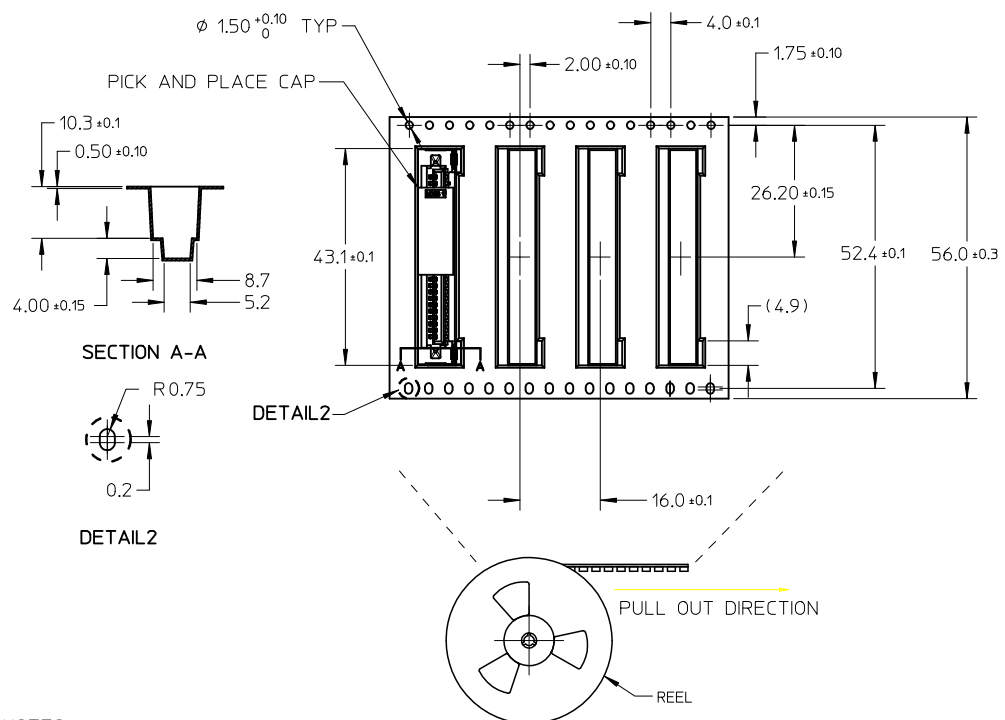
QUALITY SYMBOLS	GENERAL TOLERANCES (UNLESS SPECIFIED)
▽=0	mm INCH
∇=0	4 PLACES ± --- ± ---
	3 PLACES ± --- ± ---
	2 PLACES ± 0.20 ± ---
	1 PLACE ± --- ± ---
	ANGULAR ± 3 °

DIMENSION STYLE		SCALE	DESIGN UNITS	THIRD ANGLE PROJECTION
MM ONLY		NTS	METRIC	
DRAWN BY	DATE	TITLE		
DKOH	2004/11/23	SERIAL ATTACH SCSI RECEPTACLE, HYBRID STANDARD HEIGHT		
CHECKED BY	DATE	MOLEX INCORPORATED		
KCL ING	2004/12/01	DOCUMENT NO. SD-87839-040		
APPROVED BY	DATE	SHEET NO. 3 OF 4		
SKTOH	2004/12/01	THIS DRAWING CONTAINS INFORMATION THAT IS PROPRIETARY TO MOLEX INCORPORATED AND SHOULD NOT BE USED WITHOUT WRITTEN PERMISSION		

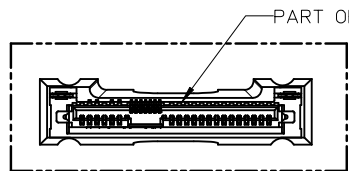
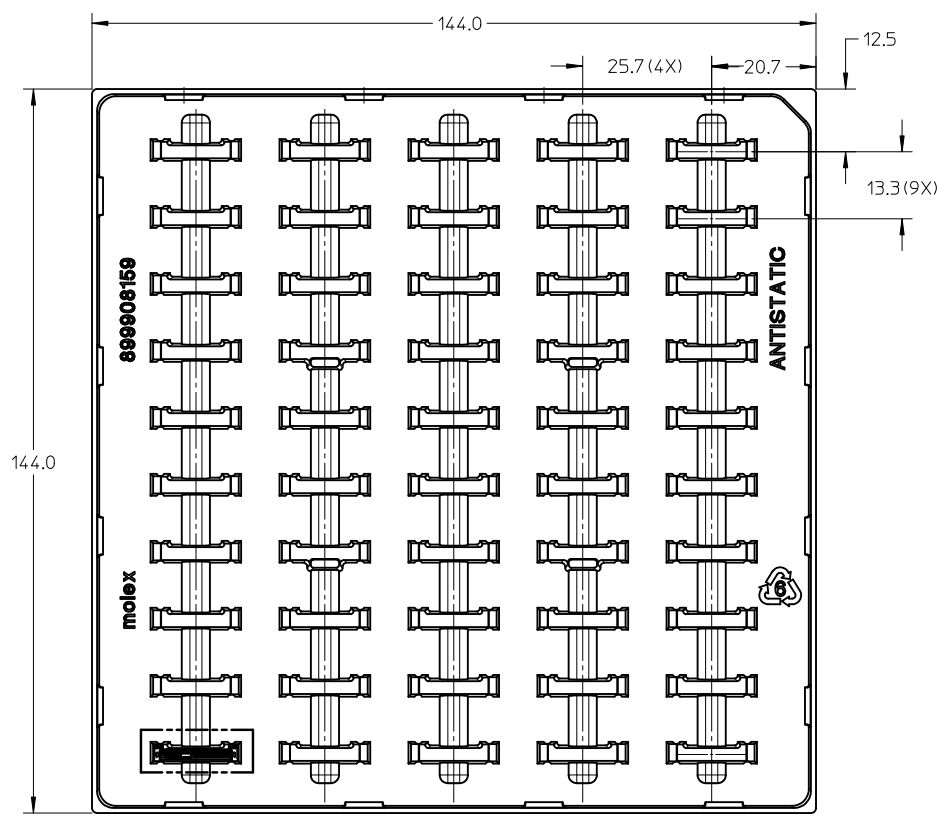
MATERIAL NO.	SIZE
SKTOH	A3

10 9 8 7 6 5 4 3 2 1

TAPE AND REEL PACKAGING



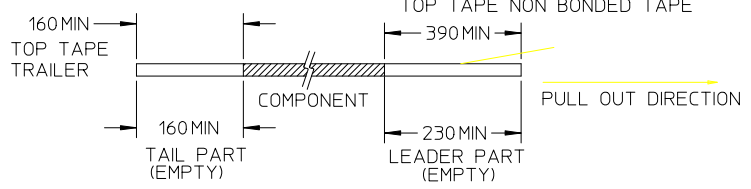
TRAY PACKAGING



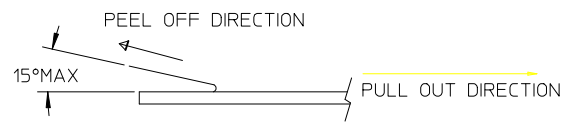
- NOTES:  
 1. PACKAGING QTY: 50PCS/TRAY  
 2. NO PICK AND PLACE CAP

NOTES:

1. LEADER AND TRAILER TAPE



2. PEELING OFF FORCE OF THE TOP TAPE: 80gf MAX.  
 (PEELING DIRECTION AS SHOWN IN FOLLOWING FIGURE)



3. PACKAGING QTY IS: 350 PCS/REEL  
 4. PACKAING STANDARD IS AS PER EIA-481.  
 5. CONNECTOR COMES WITH PICK AND PLACE CAP.

STANDARDISED TRAY	EC NO: S2012-0424	2011/11/22	QUALITY SYMBOLS ▼=0 ◁=0
	DRW:NATSEE	2011/12/01	
	CHKD:SKANG	2011/12/01	
	APPR:MLONG	2011/12/01	
REV	A7	DESCRIPTION	

GENERAL TOLERANCES (UNLESS SPECIFIED)	4 PLACES	± ---	± ---
	3 PLACES	± ---	± ---
	2 PLACES	± 0.20	± ---
	1 PLACE	± ---	± ---
	ANGULAR		± 3 °
DRAFT WHERE APPLICABLE MUST REMAIN WITHIN DIMENSIONS			

DIMENSION STYLE		SCALE	DESIGN UNITS	THIRD ANGLE PROJECTION
MM ONLY		NTS	METRIC	
DRAWN BY	DATE	TITLE		
DKOH	2004/11/23	SERIAL ATTACH SCSI RECEPTACLE, HYBRID STANDARD HEIGHT		
CHECKED BY	DATE	MOLEX INCORPORATED		
KCL ING	2004/12/01	SD-87839-040		
APPROVED BY	DATE	SHEET NO. 4 OF 4		
SKTOH	2004/12/01			
MATERIAL NO.	DOCUMENT NO.			
SEE TABLE				

THIS DRAWING CONTAINS INFORMATION THAT IS PROPRIETARY TO MOLEX INCORPORATED AND SHOULD NOT BE USED WITHOUT WRITTEN PERMISSION

9 8 7 6 5 4 3 2 1