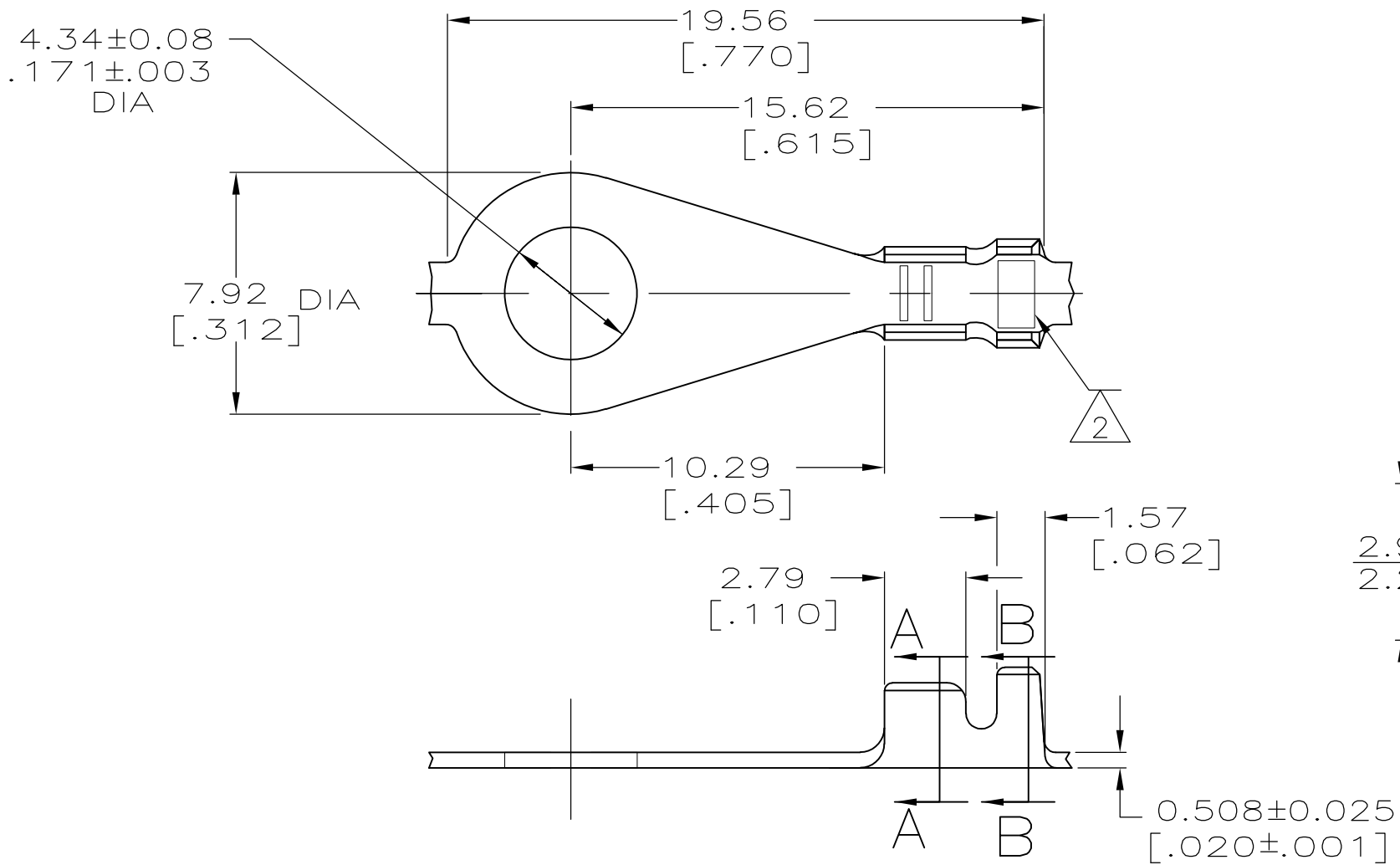
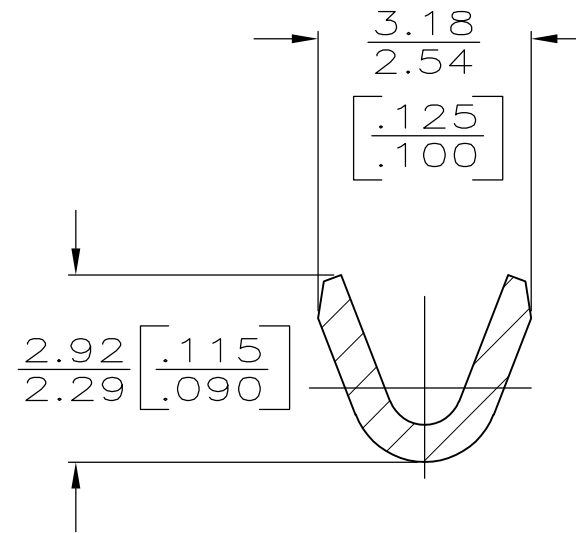


THIS DRAWING IS UNPUBLISHED. RELEASED FOR PUBLICATION
 © COPYRIGHT BY TYCO ELECTRONICS CORPORATION. ALL INTERNATIONAL RIGHTS RESERVED.

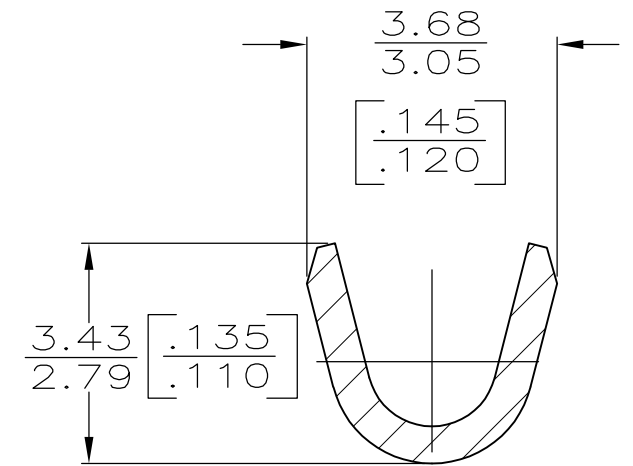
LOC	DIST	REVISIONS					
AF	50	P	LTR	DESCRIPTION	DATE	DWN	APVD
			H	REVISED PER ECR-08-007819	19NOV08	HMR	DD



- 1 CONTINUOUS STRIP ON REEL.
- 2 STAMPING: AMP FOR 42508-2
AMP* FOR 42508-3



SECTION A-A
SCALE 10:1



SECTION B-B
SCALE 10:1

METRIC

H02 PHOS BRZ	1.22-1.98 DIA	0.2 - 0.6mm ²	42508-3
#2 HD BRASS	[.048-.078]	[24-20] AWG	42508-2
MATERIAL	INSULATION RANGE	WIRE RANGE	PART NO

0	2.29 [.090]	4.32 [.170]	F	2.03 [.080]	1.40[.055]	0.6mm ² [20]
					1.35[.053]	0.3mm ² [22]
					1.27[.050]	0.2mm ² [24]
TYPE	WIDTH	STRIP LENGTH ±0.38 [±.015]	TYPE	WIDTH	±0.051[±.002] HEIGHT	WIRE
INSUL BARREL CRIMP			WIRE BARREL CRIMP			

THIS DRAWING IS A CONTROLLED DOCUMENT.

DWN	P FORTNEY	5/13/91
CHK	JR RUTH	5/13/91
APVD	G YETTER	5/13/91
PRODUCT SPEC	-	
APPLICATION SPEC	-	
WEIGHT	-	
CUSTOMER DRAWING	SCALE 5:1	SHEET 1 OF 1

DIMENSIONS: mm [INCHES]
 TOLERANCES UNLESS OTHERWISE SPECIFIED:
 0 PLC ± -
 1 PLC ± -
 2 PLC ± 0.25 [.010]
 3 PLC ± -
 4 PLC ± -
 ANGLES ± -
 MATERIAL SEE TABLE
 FINISH TIN PLATING

Tyco Electronics Corporation
 Harrisburg, PA 17105-3608
 RING
 SIZE A3 CAGE CODE 00779 DRAWING NO G-42508 RESTRICTED TO -
 REV H