

92mm sq.

San Ace 92



General Specifications

- Material Frame: Plastics (Flammability: UL94V-0),
Impeller: Plastics (Flammability: UL94V-1)
- Expected Life Refer to specifications (L10:Survival rate:90% at 60°C ,
rated voltage, and continuously run in a free air state)
- Lead Wire ⊕red ⊖black (Sensor) yellow
- Storage Temperature -30°C to +70°C (Non-condensing)

92×92×25mm (Mass : 100g) **9S type** **Silent Fan**

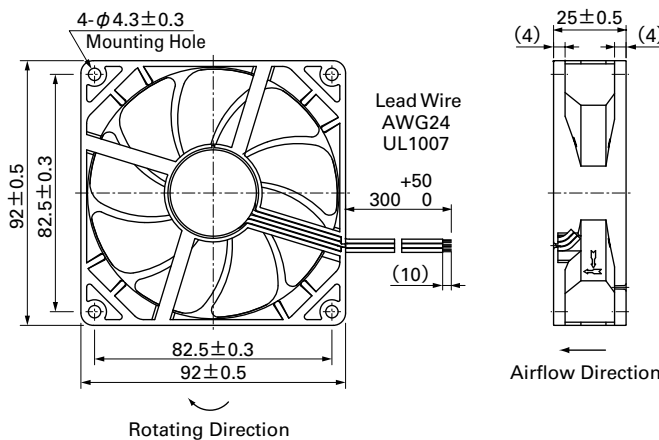
Specifications

The following nos. **have pulse sensors and ribs**. For ribless, append "1" to the model no.

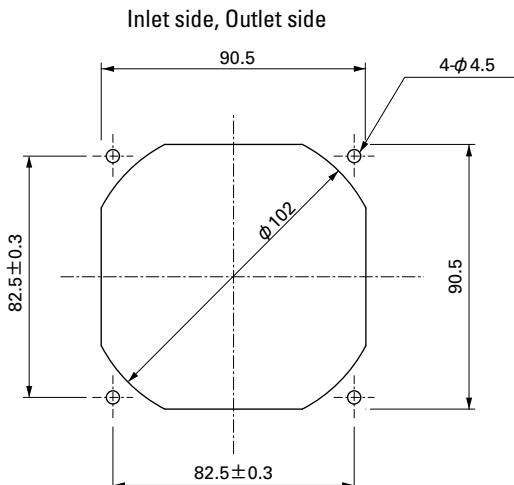
Model No.	Rated Voltage [V]	Operating Voltage Range [V]	Rated Current [A]	Rated Input [W]	Rated Speed [min ⁻¹]	Max. Airflow [m ³ /min] [CFM]	Max. Static Pressure [Pa] [inchH ₂ O]	SPL [dB(A)]	Operating Temperature [°C]	Expected Life [h]
9S0912F401	12	5.0 to 13.8	0.14	1.68	2,650	1.26	44.5	30.0	0.120	27
9S0912M401			0.11	1.32	2,250	1.07	37.8	21.6	0.087	22
9S0912L401		6.0 to 13.8	0.07	0.84	1,750	0.83	29.3	13.1	0.053	17
9S0924F401	24	14 to 26.4	0.09	2.16	2,650	1.26	44.5	30.0	0.120	27
9S0924M401			0.07	1.68	2,250	1.07	37.8	21.6	0.087	22
9S0924L401			0.04	0.96	1,750	0.83	29.3	13.1	0.053	17

Other sensor specifications are available as options. Please refer to the index (p. 510).

Dimensions (unit: mm) (With ribs)



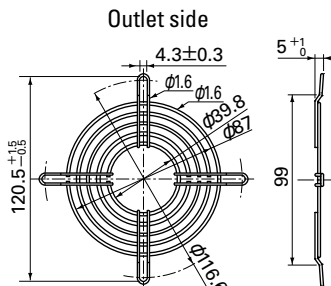
Reference Dimensions of Mounting Holes and Vent Opening (unit: mm)



Options (unit: mm)

Finger Guards

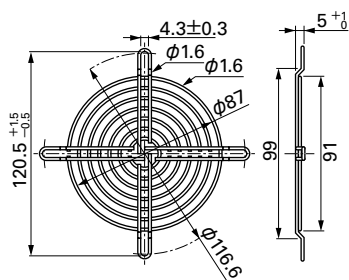
Model : 109-099C Surface treatment : Nickel-chrome plating (silver) Color



Mass 22g

Model : 109-099E Surface treatment : Nickel-chrome plating (silver) Color
: 109-099H : Cation electropainting (black)

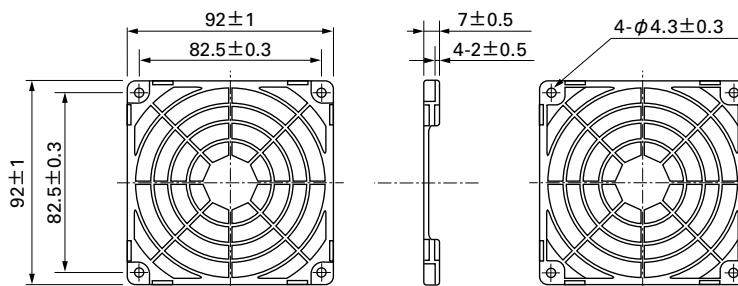
Inlet side, Outlet side



Mass : 29g

Resin Finger Guards

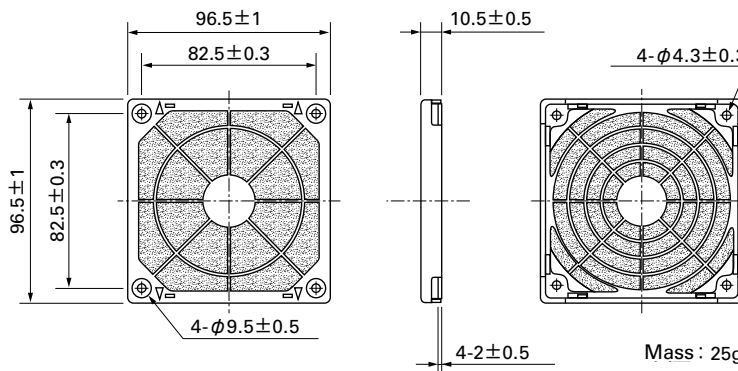
Model : 109-1001G



Mass : 12g

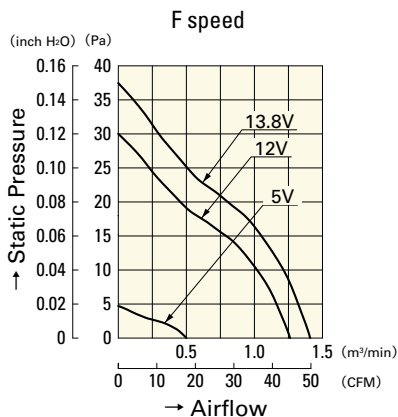
Resin Filter Kits

Model : 109-1001F13 (13PPI), 109-1001F20 (20PPI)
: 109-1001F30 (30PPI), 109-1001F40 (40PPI)

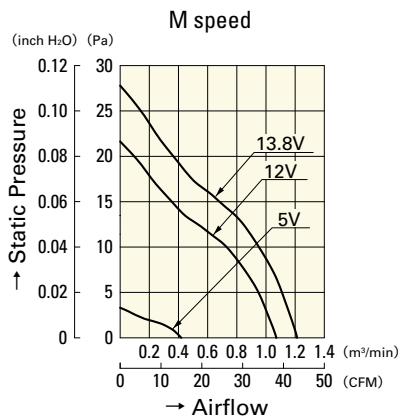


Mass : 25g

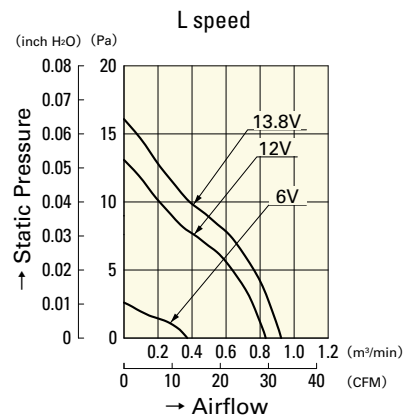
Airflow - Static Pressure Characteristics



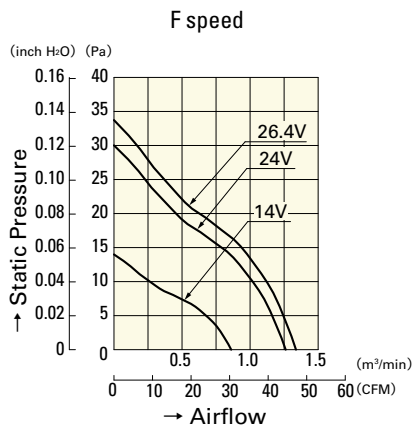
9S0912F401



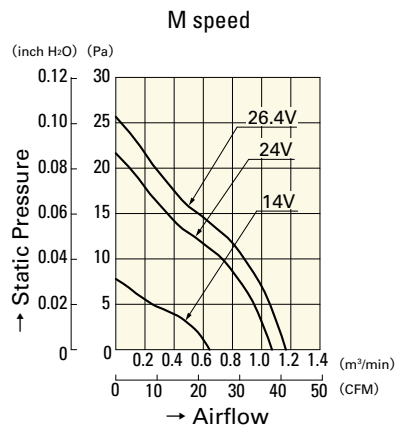
9S0912M401



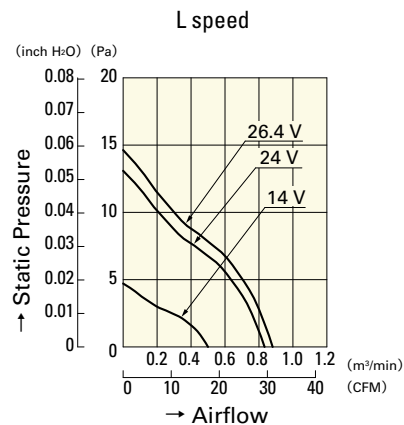
9S0912L401



9S0924F401



9S0924M401



9S0924L401