

5

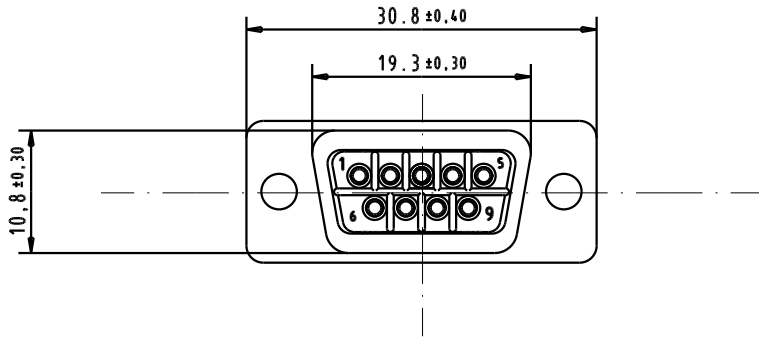
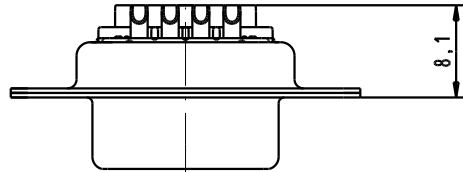
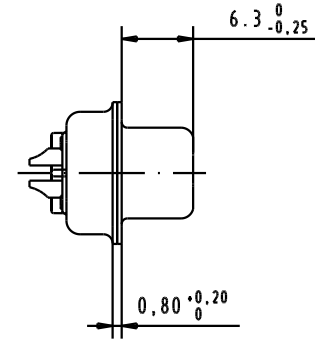
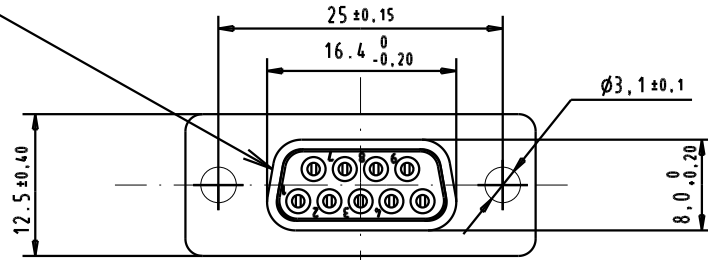
4

3

2

1

Mating face according to : MIL-C-24308 / DIN 41652 / CECC 75.01-802



- 1) Protection standard IP 67 according to IEC 529 / DIN 40050
- 2) Cable: AWG 20 max



D

C

B

A

09 67 409 4715	Au plating 0,76 µm mini
Part Number	Performance Level

				Dat.	Name	 All Dim. in mm Orig. Size DIN A 4	
				Detail.	10/10/03		S.H.
				Insp.			
				Stand.			
31559	10/10/03	S.H.	HARTING ELEKTRONIK			TB 09 67 409 4715	
Mod.	Dat.	Name	F-95972 Paris				
						Sub.	

Maßstab/
Scale

Blatt/
Page