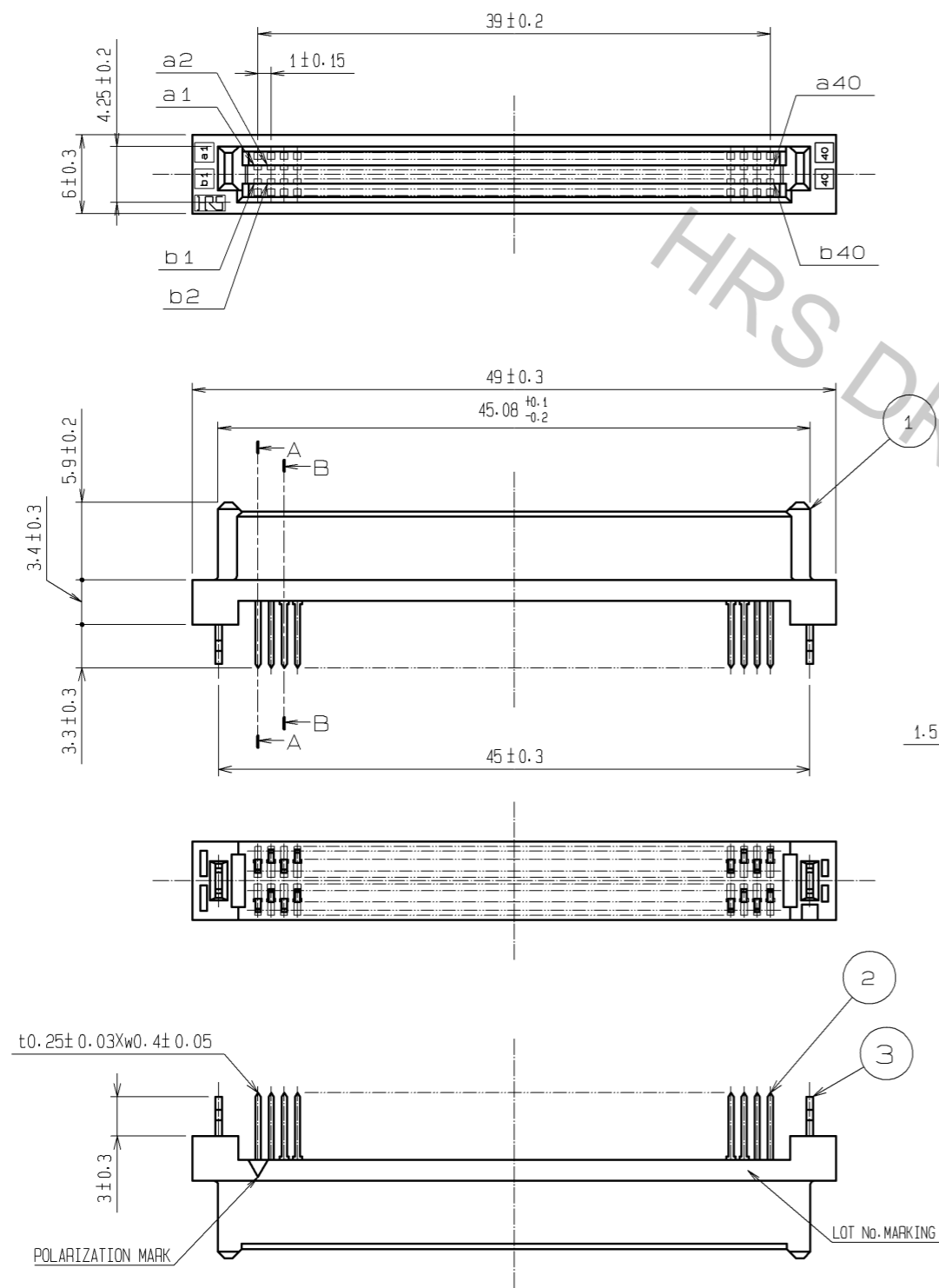
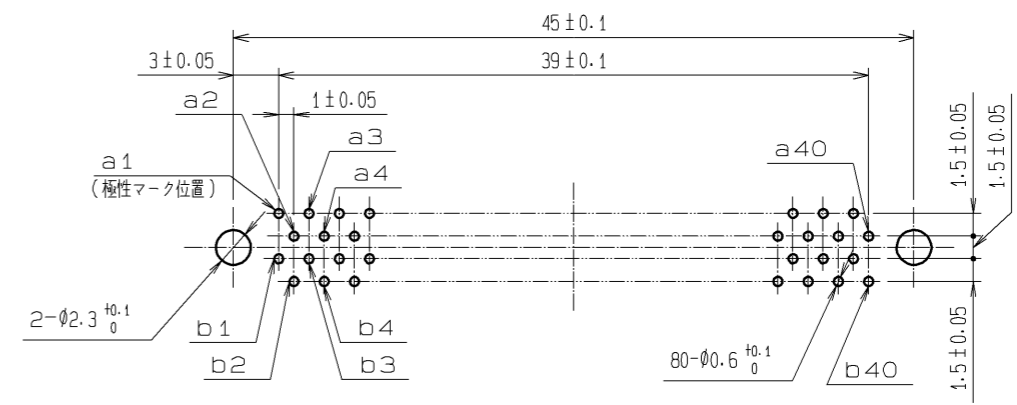


Apr.1.2017 Copyright 2017 HIROSE ELECTRIC CO., LTD. All Rights Reserved.

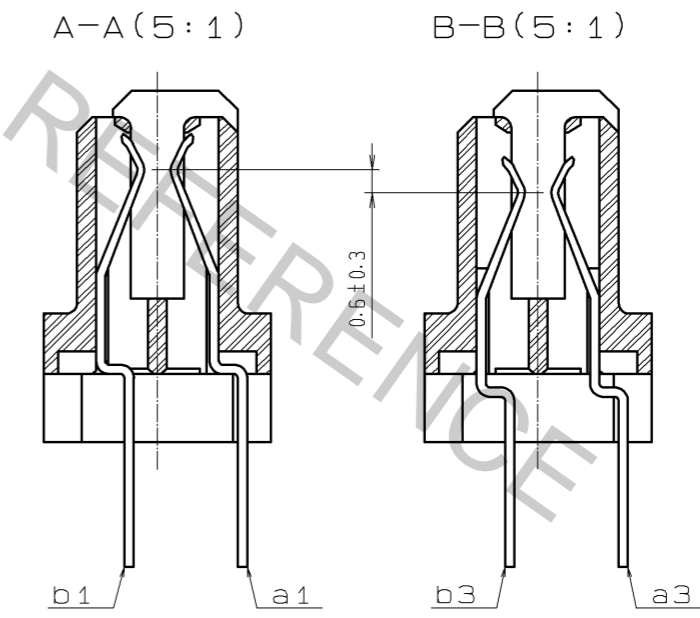


RECOMMENDED PC BOARD HOLE PATTERN (MOUNTING SIDE)
 APPLICABLE BOARD THICKNESS: 1.6



CONTACT SEQUENCE

SEQUENCE	PIN NO.
1	a1, a2, a39, a40 b1, b2, b39, b40
2	a3~a38 b3~b38



3	PHOSPHOR BRONZE	TIN-PLATING	2	PHOSPHOR BRONZE	CONTACT AREA : GOLD 0.1μm min.			
1	POLYAMIDE	BEIGE UL94V-0			LEAD AREA : TIN-PLATING 1.2μm min.			
					UNDER PLATING : NICKEL 1μm min.			
NO.	MATERIAL	FINISH	REMARKS	NO.	MATERIAL	FINISH	REMARKS	
UNITS	mm	SCALE	2 : 1	COUNT	DESCRIPTION OF REVISIONS	DESIGNED	CHECKED	DATE
HRS HIROSE ELECTRIC CO., LTD.		APPROVED	HS. OKAWA	08.07.14	DRAWING NO.	EDC3-151520-21		
		CHECKED	HT. YAMAGUCHI	08.07.14	PART NO.	FX5-80S2A-DSAL(71)		
		DESIGNED	SY. KAMIGA	08.07.11	CODE NO.	CL575-0129-0-71		
		DRAWN	HK. SUNADORI	08.06.19				1/1