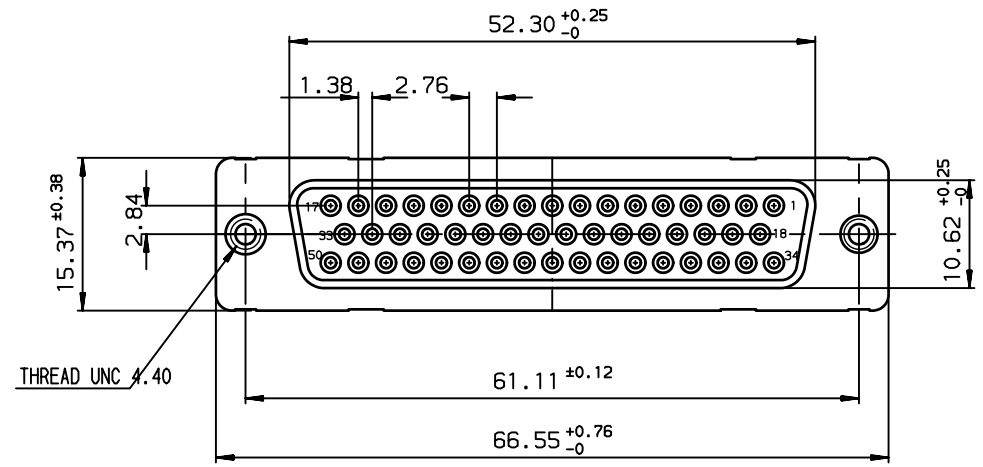
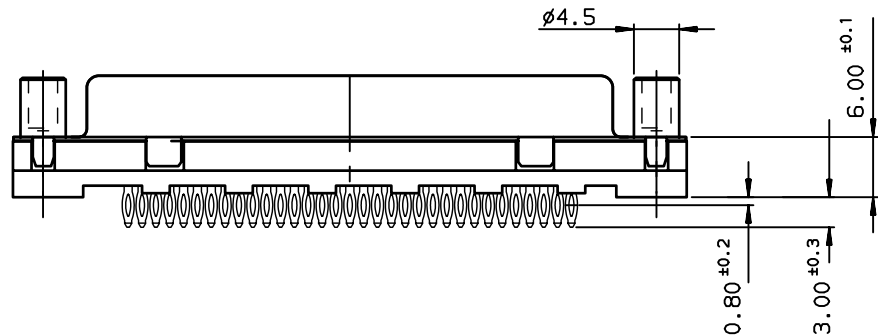
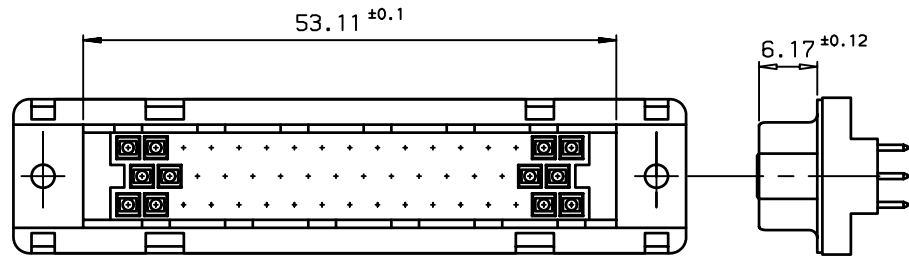
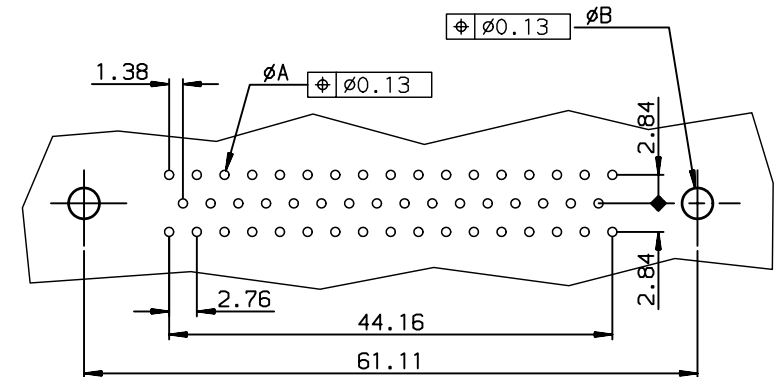


Copyright FCJ.



PC board drilling dimensions
(after plating - thickness: 1.60 to 3.20 mm)



GENERAL CHARACTERISTICS AND ROHS INFORMATIONS:
SEE DRAWING C01-8646-0001

TIN LEAD PART NUMBER

PART NUMBER	
flash gold	D50S91C4PV00
0.76µ gold	D50S91C6PV00

LEAD FREE PART NUMBER

PART NUMBER	
flash gold	D50S91C4PV00LF
0.76µ gold	D50S91C6PV00LF

rev	ecn no	dr	date
A	-	JOU	1996/08/12
B	LS05-004	MPE	2005/02/11
C	LS06-0095	LGO	2006/06/29
D	LS06-0140	LGO	2006/09/22
E	LS08-0217	MPE	2008/11/25
-	-	-	-
-	-	-	-

www.fciconnect.com			surface	tolerance std	projection	mm
			ISO 1302	ISO 406 ISO 1101		
TOLERANCES UNLESS OTHERWISE SPECIFIED						
Dr	JOUBERT	1996/08/12	ANGULAR	0.X	±0.1	size A3
Eng	PESSON	1996/08/12	LINEAR	0.XX	±0.1	Scale 2
Chr	LEGARE	1996/08/12		0.XXX	±0.1	ECN LS08-0217
Appr	LEGARE	1996/08/12	Product family		D-SUB	Spec ref -
FCJ			title FEMALE CONNECTOR DELTA D STD EUROPE		dwg no C01-8646-0478	
			Straight press-fit.		Rev. E	
catalog no			-		CUSTOMER sheet 1 of 1	

REV F - 2006-04-17