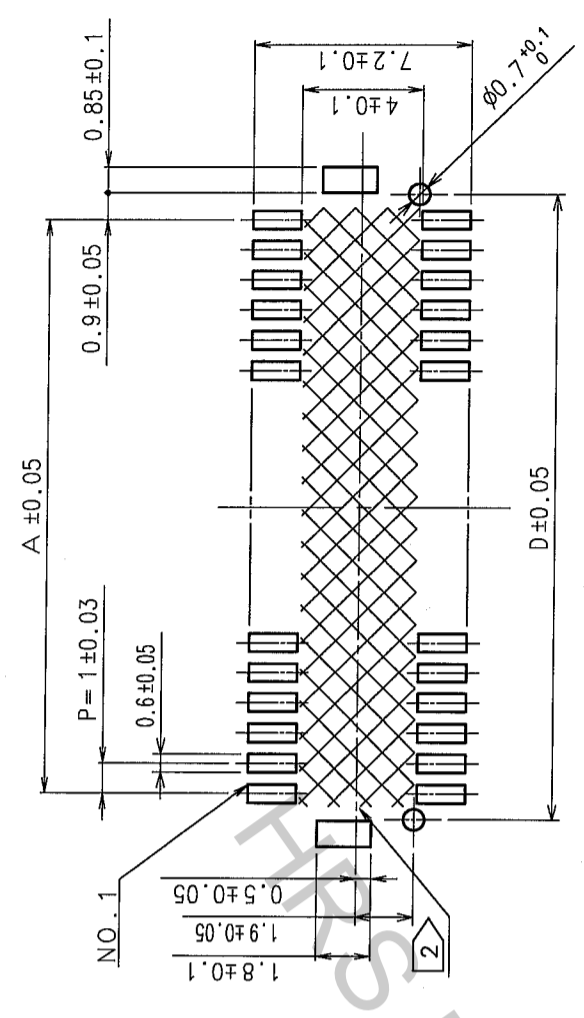


COUNT	DESCRIPTION OF REVISIONS	BY	CHKD	DATE	COUNT	DESCRIPTION OF REVISIONS	BY	CHKD	DATE

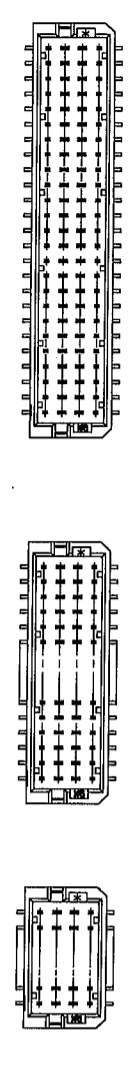
RECOMMENDED PATTERN(FREE)



PART NO.	HRS NO.	NUMBER OF CONTACTS	A	B	C	D
DF20G-10DP-1V(56)	CL686-0037-6-56	10	4.0	7.3	6.6	5.7
DF20G-20DP-1V(56)	CL686-0038-9-56	20	9.0	12.3	11.6	10.7
DF20G-30DP-1V(56)	CL686-0039-1-56	30	14.0	17.3	16.6	15.7
DF20G-40DP-1V(56)	CL686-0040-0-56	40	19.0	22.3	21.6	20.7
DF20G-50DP-1V(56)	CL686-0041-3-56	50	24.0	27.3	26.6	25.7

NOTE1: LEAD CO-PLANARITY SHALL BE 0.1mm MAX INCLUDING METAL HOLD DOWN.  
 NOTE2: IF THERE IS PATTERN ON PART, THERE IS A POSSIBILITY THAT IT WILL MAKE CONTACT WITH THE LEADS.  
 NOTE3: THE NUMBER AND POSITION OF A RIB ARE AS FOLLOWS BY THE NUMBER OF CONTACTS.

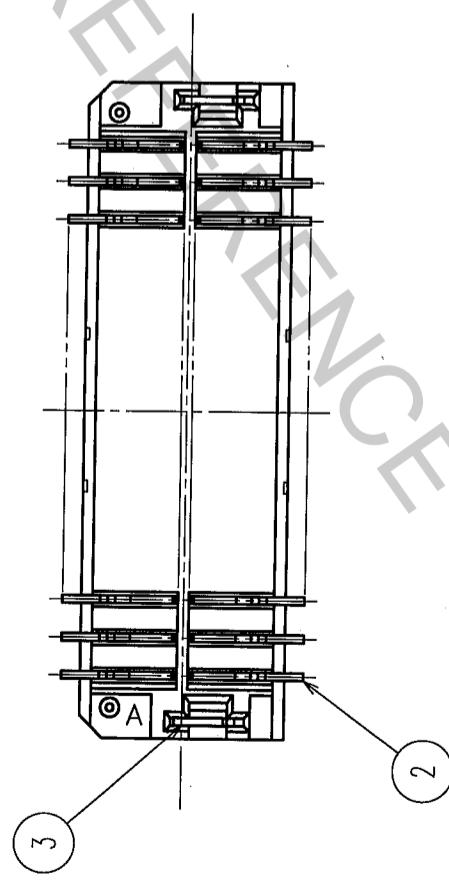
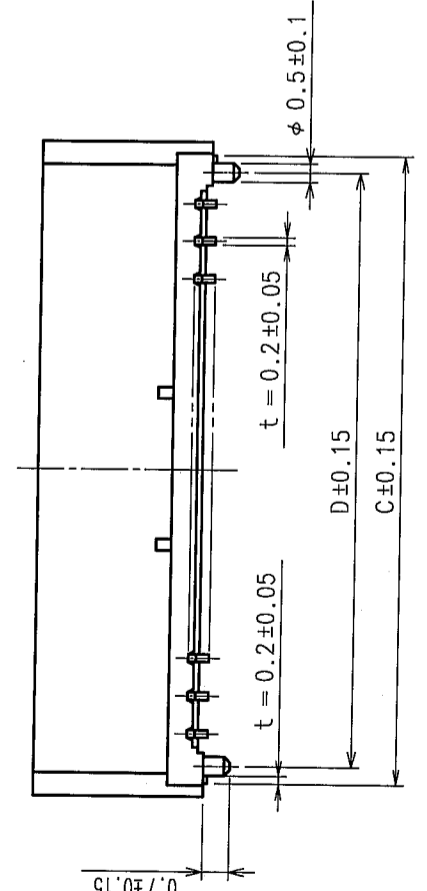
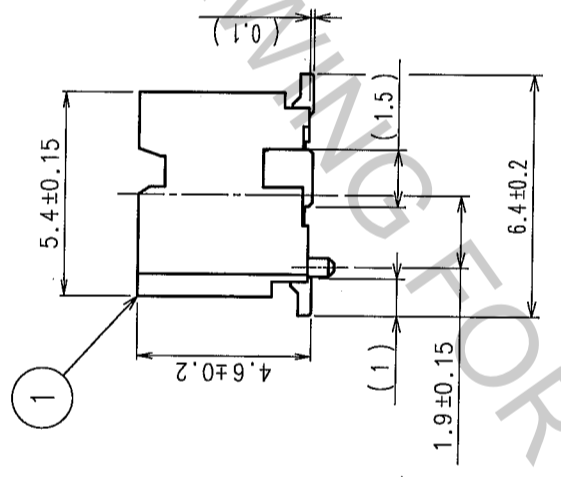
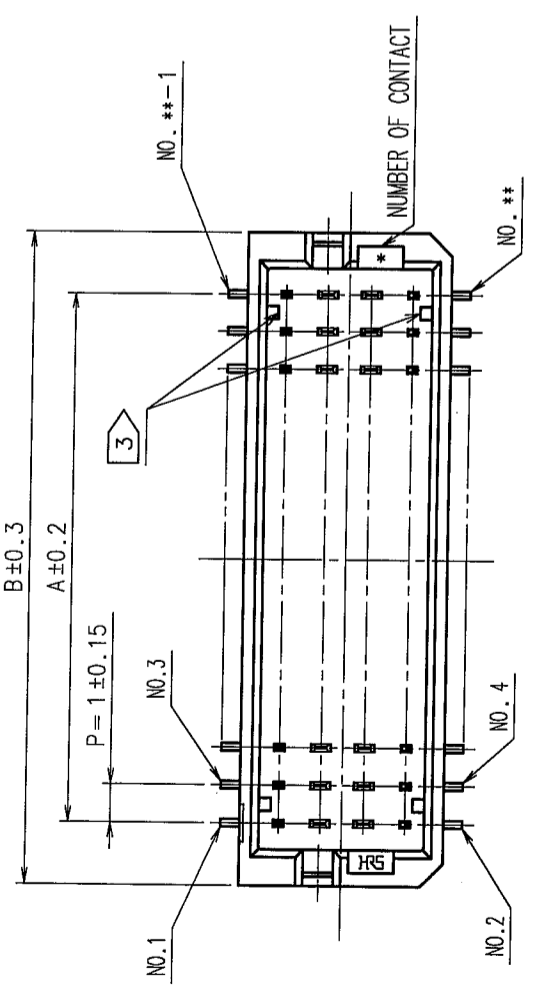
10, 20DP 30, 40DP 50DP



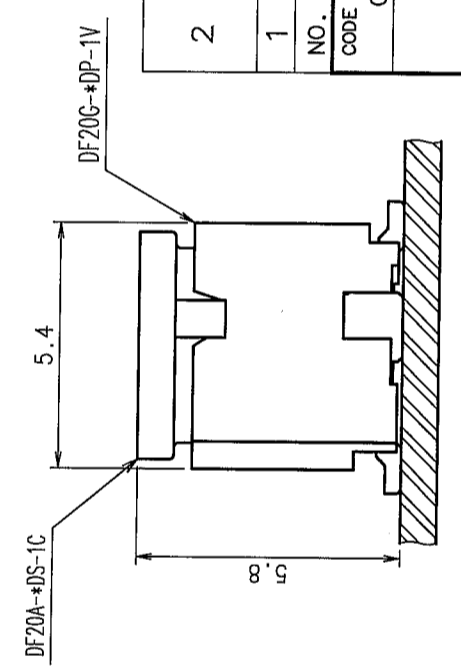
NO.	MATERIAL	FINISH, REMARKS	NO.	MATERIAL	FINISH, REMARKS
2	PHOSPHOR BRONZE	CONTACT AREA: GOLD PLATED 0.2μm min. LEAD AREA: GOLD PLATED FLASH 0.03μm min. UNDER PLATING: NICKEL PLATED 2μm min.	6	POLYAMIDE	NATURAL (BEIGE), UL94V-0
1	POLYAMIDE	NATURAL (BEIGE), UL94V-0	5	POLYESTER	CLEAR (COVER TAPE)
			4	PS	CLEAR (EMBOSSED CARRIER TAPE)
			3	BRASS	SURFACE PLATING: TIN-COPPER PLATED 1μm min. UNDER PLATING: NICKEL PLATED 1μm min.

CODE NO. (OLD)	CL	DRAWN	DESIGNED	CHECKED	APPROVED	RELEASED
		A. MIURA	T. YAMAGUCHI	H. UMEHARA	J. OWA	
		05.08.08	05.08.11	05.08.11	05.08.12	

DRAWING NO.	PART NO.
EDC3-164847-02	DF20G-*DP-1V(56)
SCALE 5:1	
UNITS mm	
	CODE NO. CL686-

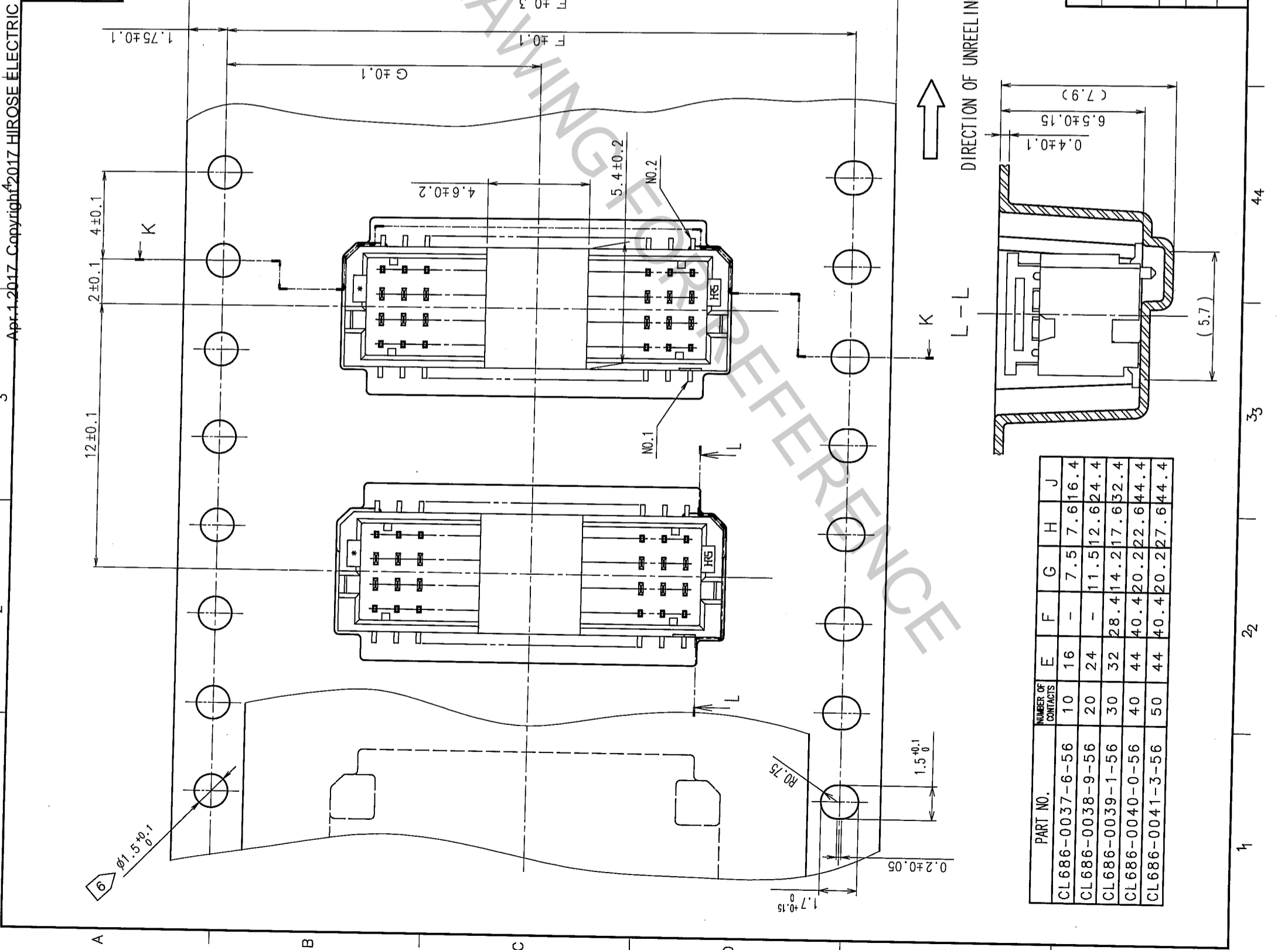


APPLICATION DIAGRAM(FREE)



TO	
----	--

NO.	DESCRIPTION OF REVISIONS	BY	CHKD	DATE	COUNT	DESCRIPTION OF REVISIONS	BY	CHKD	DATE
1									
2									
3									
4									
5									
6									



K-K

STYLE AND DIMENTION OF REEL (FREE)

DETAIL OF PART NO. LABEL

SUPPLIER  
QUANTITY  
PART NO.  
CODE NO.  
DATE OF MANUFACTURED

生産月日	年月日
図番	CL686-***-56
品名	DF20G-*DP-1V(56)
納入数量	1000 Ko
納入者	ヒロセ電機(株)

NOTES: PER REEL 1000 CONNECTORS

5: AT THE BEGINNING OF THE REEL, 30 COMPONENTS SHALL BE EMPTY.  
AT THE END OF REEL, 20 COMPONENTS SHALL BE EMPTY.  
WHEN THE TAPE WIDTH IS 16 OR 24mm, SPROCKET HOLES SHALL BE SET ON THE UPPER SIDE OF REEL AS SHOWN ON THIS DRAWING.

DIRECTION OF UNREELING

PART NO.	NUMBER OF CONTACTS	E	F	G	H	J
CL686-0037-6-56	10	16	-	7.5	7.6	16.4
CL686-0038-9-56	20	24	-	11.5	12.6	24.4
CL686-0039-1-56	30	32	28.4	14.2	17.6	32.4
CL686-0040-0-56	40	44	40.4	20.2	22.6	44.4
CL686-0041-3-56	50	44	40.4	20.2	27.6	44.4

CODE NO. (OLD) CL	DESIGNED A. MIURA	CHECKED T. Kumagawa	APPROVED J. Oka	RELEASED
SCALE 5 : 1	DRAWN 05.08.08	DESIGNED 05.08.11	APPROVED 05.08.11	RELEASED 05.08.12
UNITS mm	DRAWING NO. EDC3-164847-02	PART NO. DF20G-*DP-1V(56)	CODE NO. CL686-	
	HIROSE ELECTRIC CO., LTD			

TO