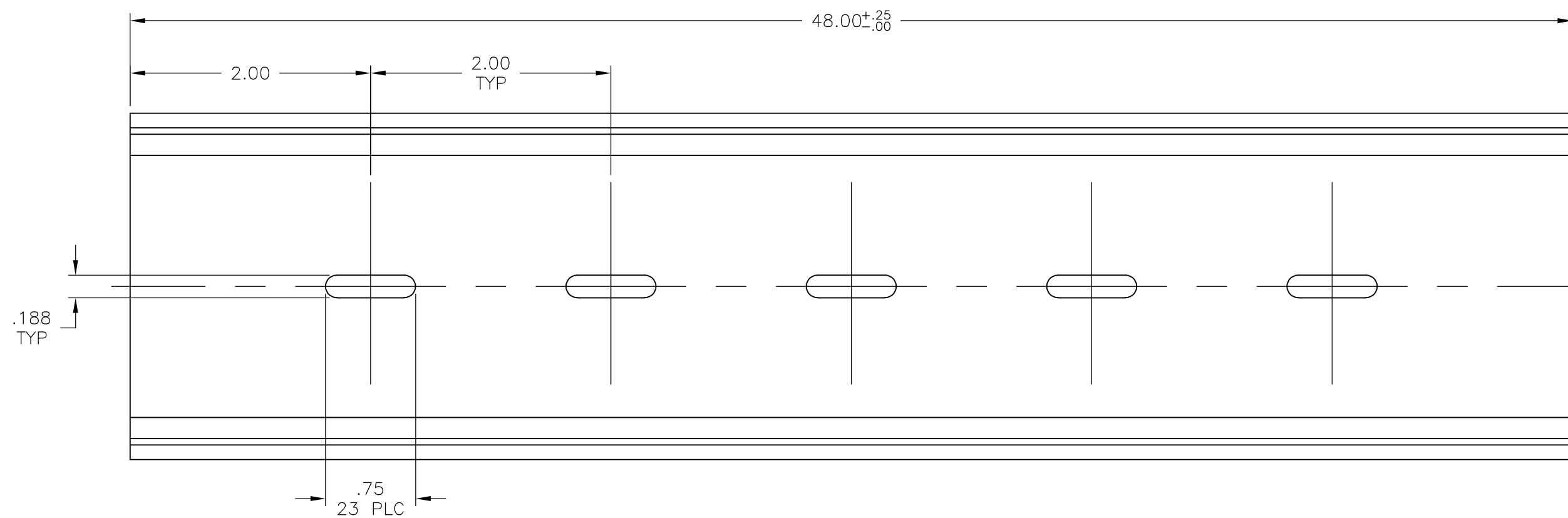
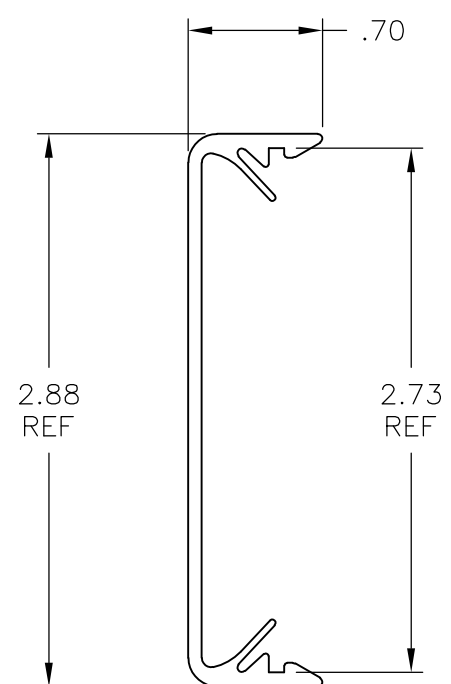


THIS DRAWING IS UNPUBLISHED. RELEASED FOR PUBLICATION  
 © COPYRIGHT BY TYCO ELECTRONICS CORPORATION. ALL RIGHTS RESERVED.

LOC	DIST	REVISIONS			
P	LTR	DESCRIPTION	DATE	DWN	APVD
FT	0	A1	REVISED PER ECO-08-006589	3/13/08	SS CW

- 1 MATERIAL: RIGID PVC, COLOR: GRAY.
- 2. DESIGNED FOR 2.75 PC BOARD WIDTH.



1-1437685-3  
PART NUMBER

THIS DRAWING IS A CONTROLLED DOCUMENT.		DWN	S SCHLEGEL	3/4/08	Tyco Electronics Corporation Harrisburg, PA 17105-3608		
DIMENSIONS: INCHES		CHK	C WARNER	3/4/08			
TOLERANCES UNLESS OTHERWISE SPECIFIED:		APVD	C WARNER	3/4/08	NAME		
0 PLC ± - 1 PLC ± - 2 PLC ± .02 3 PLC ± .010 4 PLC ± - ANGLES ± -		PRODUCT SPEC		2TK2-48 SNAPTRACK			
MATERIAL		APPLICATION SPEC		SIZE			
FINISH		WEIGHT		CAGE CODE		DRAWING NO	
-		-		A2 00779		RESTRICTED TO	
-		CUSTOMER DRAWING		C=1-1437685-3		-	
-		SCALE		SHEET		REV	
-		NTS		1 of 1		A1	

1-1437685-3