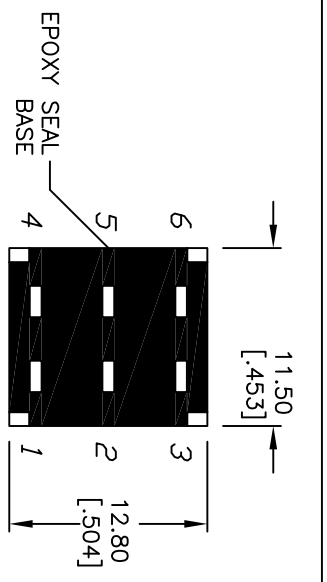
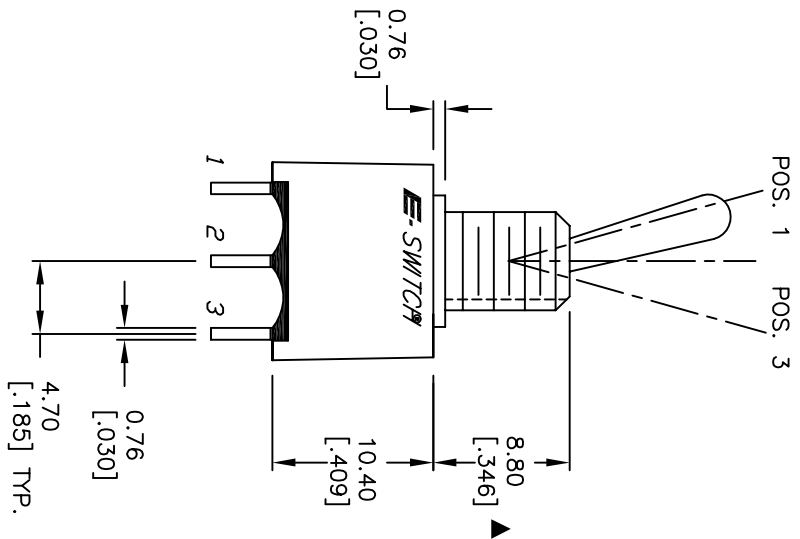
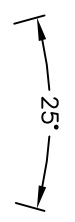
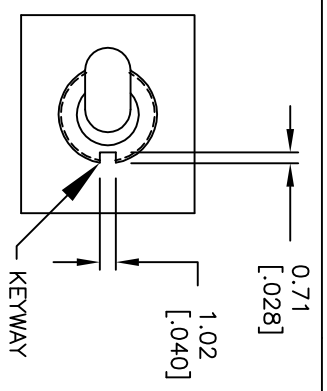


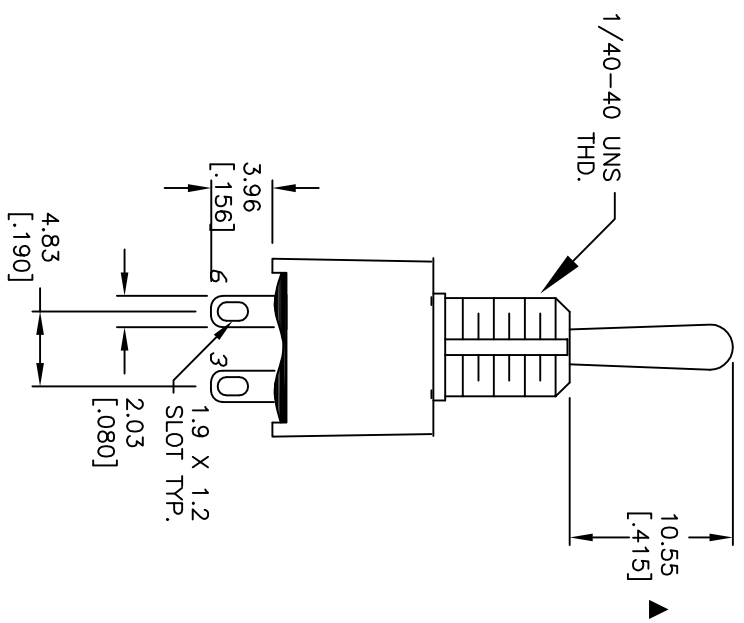
CIRCUIT: DPDT
CONTACT CONFIGURATION

SWITCH FUNCTION		
POS. 1	POS. 2	POS. 3
DN	NONE	DN
2-3,5-6	DPEN	2-1,5-4

- NOTES:
1. ALL DIMENSIONS IN MM [INCH]
 2. GENERAL TOLERANCE: X.X=±0.4
X.XX=±0.25
 3. TERMINAL NUMBERS FOR REF ONLY
 4. RATING: 5A @120VAC or 28VDC
2A @250VAC (w/RESISTIVE LOAD)
 5. FIXED TERM. & MOVING CONTACT:
Cu Alloy w/Silver plate
 6. ELECTRIC LIFE: 40,000 make-and-break cycles
at full load.
 7. INSULATION RESISTANCE: 1,000 Mega-ohm min.
 8. DIELECTRIC STRENGTH: 1,000 V RMS @sea level.
 9. OPERATING TEMP.: -30°C to 85°C
 10. ▲ DENOTES CRITICAL PARAMETER.
 11. 2002/95/EC (ROHS) COMPLIANT
 12. HARDWARE SUPPLIED IN BULK:
T100011-LOCK WASHER QTY-1
T100015-LOCK RING QTY-1
T100000-HEX NUT QTY-2



BOTTOM VIEW



REV.	ECN No.	DESCRIPTION	DATE	CHKD
A	17694	RELEASED FOR PRODUCTION	9/19/07	BF

TITLE		SCALE	DATE	DR	DWG	REV
100A WDP1T1B1M1QEH		2:1	9/19/07	BF	ST102112	A



THE INFORMATION CONTAINED IN THIS DOCUMENT IS PROPRIETARY TO E-SWITCH AND IS NOT TO BE COPIED OR TRANSFERRED