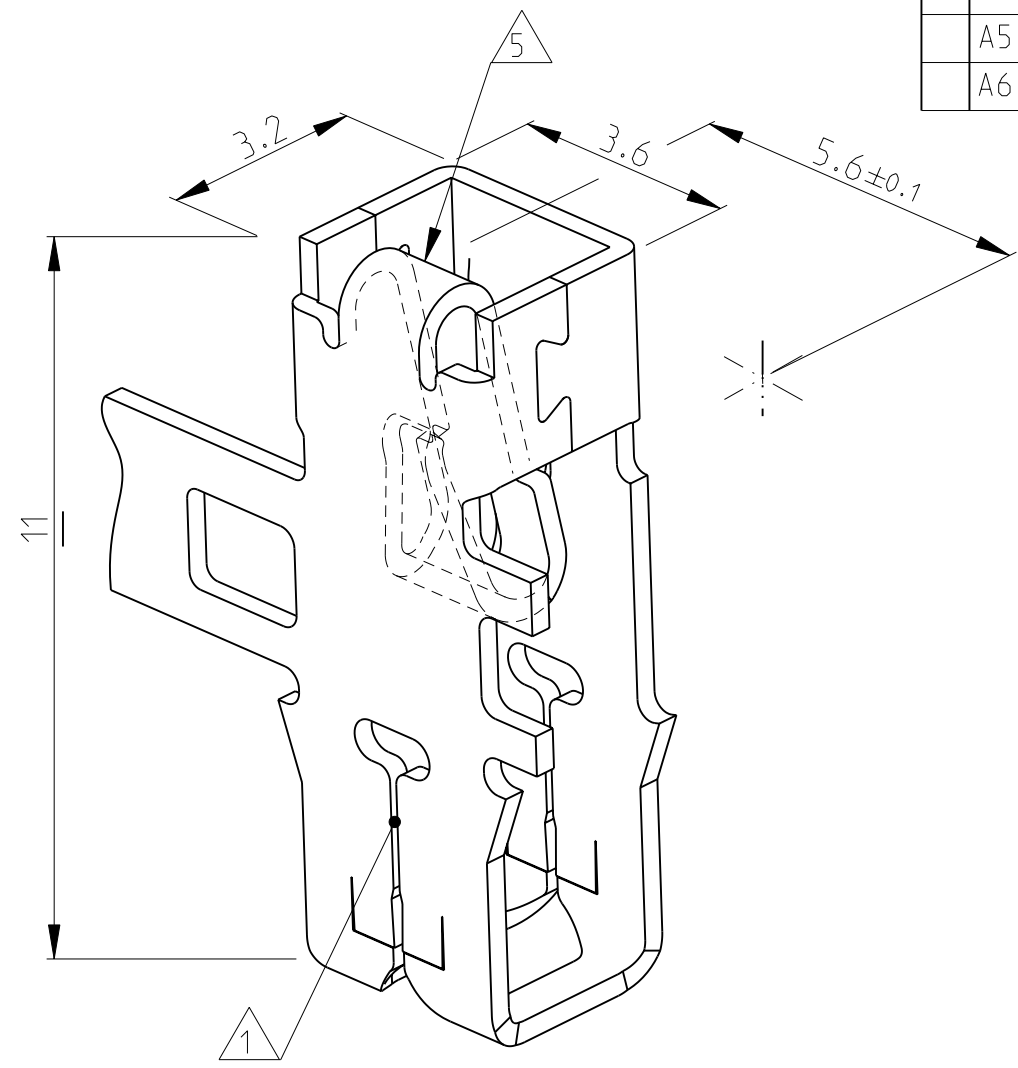
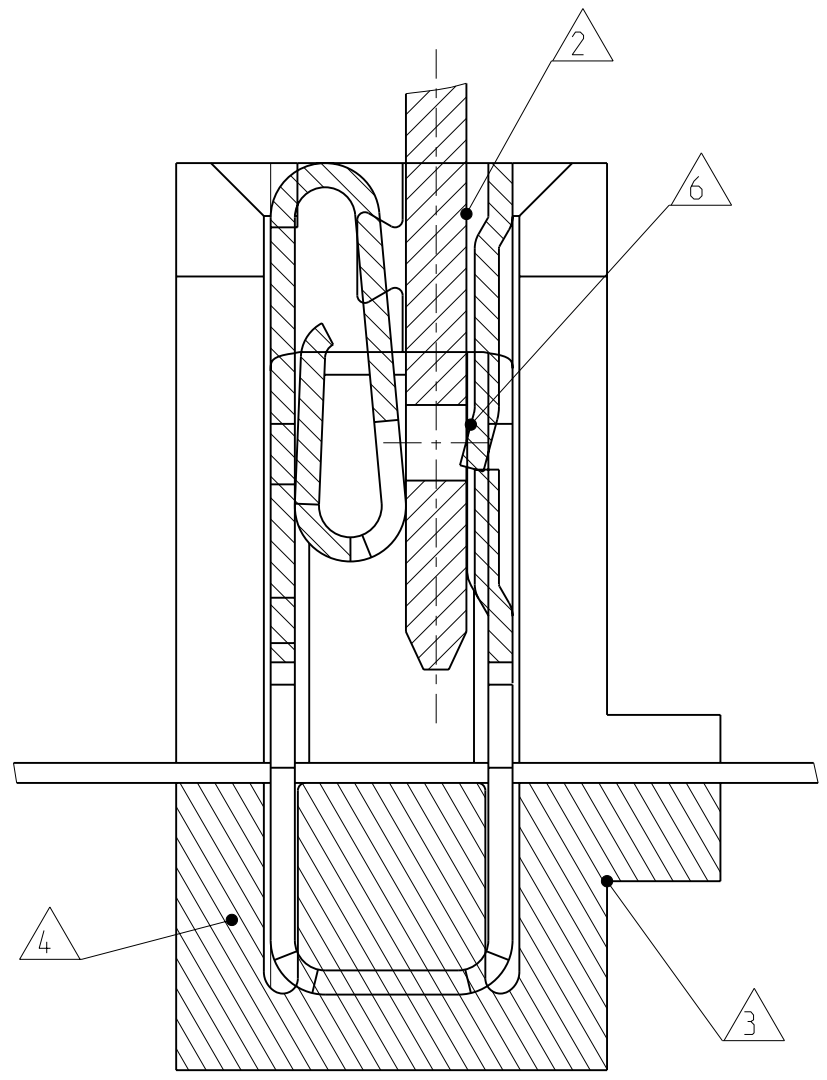


THIS DRAWING IS UNPUBLISHED. RELEASED FOR PUBLICATION 2008
 © COPYRIGHT 2008 BY TYCO ELECTRONICS CORPORATION. ALL RIGHTS RESERVED.

LOC	DIST	REVISIONS			
P	LTR	DESCRIPTION	DATE	DWN	APVD
A1	-				
	A3	REDRAWN TO PRO/E	26.01.09	DZ	TK
	A4	REVISED PER ECO-09-026444	27NOV09	KK	AEQ
	A5	WIRE RANGE IN NOTE 1 CORRECTED	22FEB2010	PKS	RRP
	A6	DRAFTING ERROR	24NOV2010	PKS	MP



- ① Kontakt geeignet fuer:
Lackdraht $\varnothing 0.18-0.265\text{mm}$
(Einzeldraht oder zwei Draehte gleichen Durchmessers)
Slot accepts:
SINGLE MAGNET WIRE $\varnothing 0.18-0.265\text{mm}$
DOUBLE MAGNET WIRE SAME DIAMETERS
- ② Flachstecker A2.8-0.5mm oder A2.8-0.8mm nach DIN 46244
FLAT PIN A2.8-0.5mm OR A2.8-0.8mm ACCORDING TO DIN 46244
- ③ Bereich wird beim Kontaktieren abgetrennt
AREA WILL BE CUTTED OF BY TERMINATION
- ④ Kontakt Kammer nach Zeichnung 411-18514
CAVITY ACCORDING DWG 411-18514
- ⑤ Kennziffer fuer Lackdrahtbereich (4)
IDENTIFICATION NO. (4)
- ⑥ Unter Vorstrich-Zahl 1-... auch "ohne" Rastnase lieferbar
UNDER PRAEFIX NO: 1- ALSO "WITHOUT LOCKING NOSE AVAILABEL

⑦	OBSOLETE	1-964114-2	⑥	A	-	MAG-MATE Kontakt "ohne"	CuNiSi	nachverzinnt
		1-964114-1	⑥	A	-	MAG-MATE Kontakt "ohne"	CuNiSi	vorverzinnt
⑦	OBSOLETE	964114-2		A	-	MAG-MATE Kontakt "mit"	CuNiSi	nachverzinnt
⑦	OBSOLETE	964114-1		A	-	MAG-MATE Kontakt "mit"	CuNiSi	vorverzinnt
		BESTELL-NR.	POS.	STÜCK	BENENNUNG EINZELTEIL	WERKSTOFF	OBERFLÄCHE FARBE	

DIMENSIONS:		TOLERANCES UNLESS OTHERWISE SPECIFIED:		DWN		Tyco Electronics		Tyco Electronics AMP GmbH	
mm		n. ISO 8015, n. ISO2768-mH-E n. DIN 16901-140		13-08-97		64625 Bensheim (Germany)		64625 Bensheim (Germany)	
	0 PLC	±0.2mm	APVD	NAME					
	1 PLC	±	ZANDER	MAG-MATE TERMINAL WITH TAB-RECEPT. 2.8-0.5/0.8					
	2 PLC	±	PRODUCT SPEC	SIZE					
	3 PLC	±	APPLICATION SPEC	CAGE CODE					
	4 PLC	±		DRAWING NO					
	ANGLES	±1°		RESTRICTED TO					
MATERIAL	FINISH	SEE TABLE	WEIGHT	A3		00779		©=964114	
				CUSTOMER DRAWING		SCALE		SHEET	
						10:1		1 OF 1	
								REV	
								A6	

⑦ OBSOLETE PARTS: OBSOLETE CIS STREAMLINING PER D.RENAUD/D.SINISI