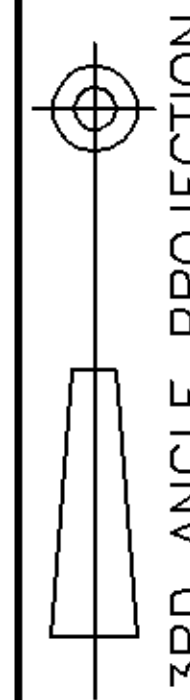


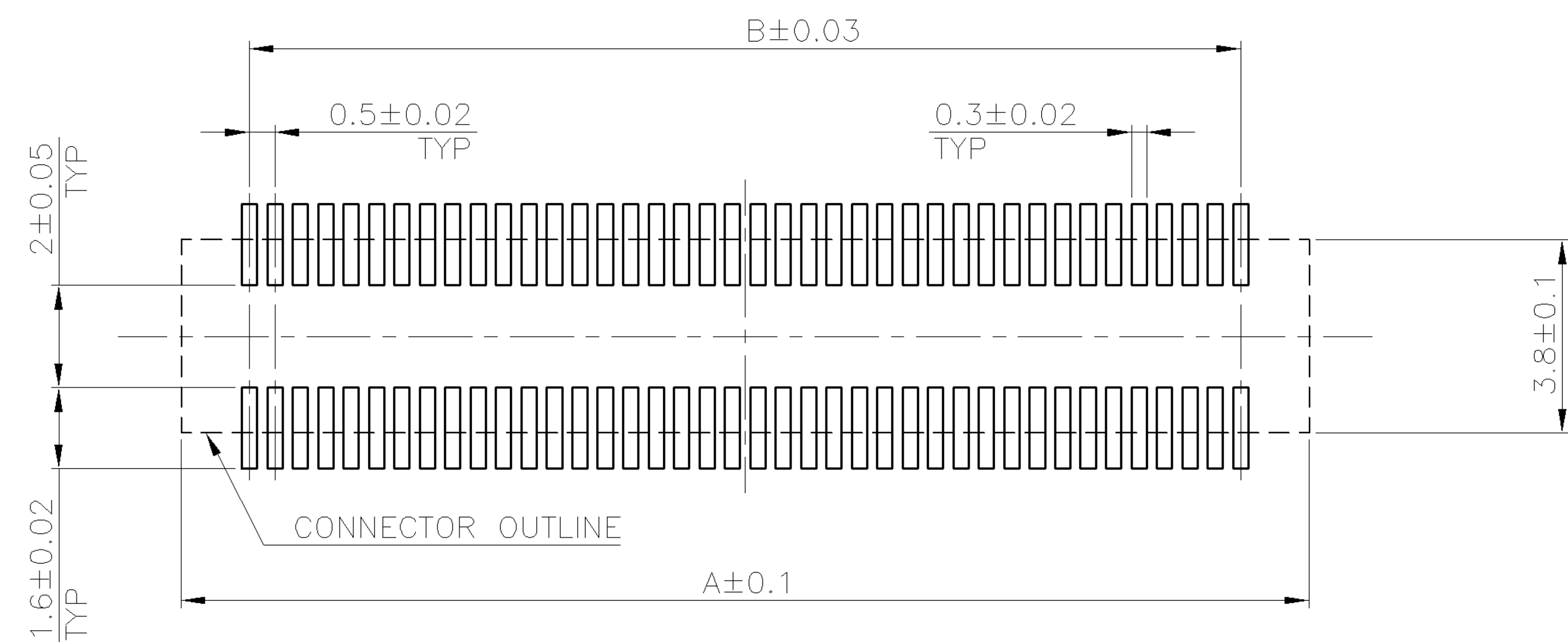
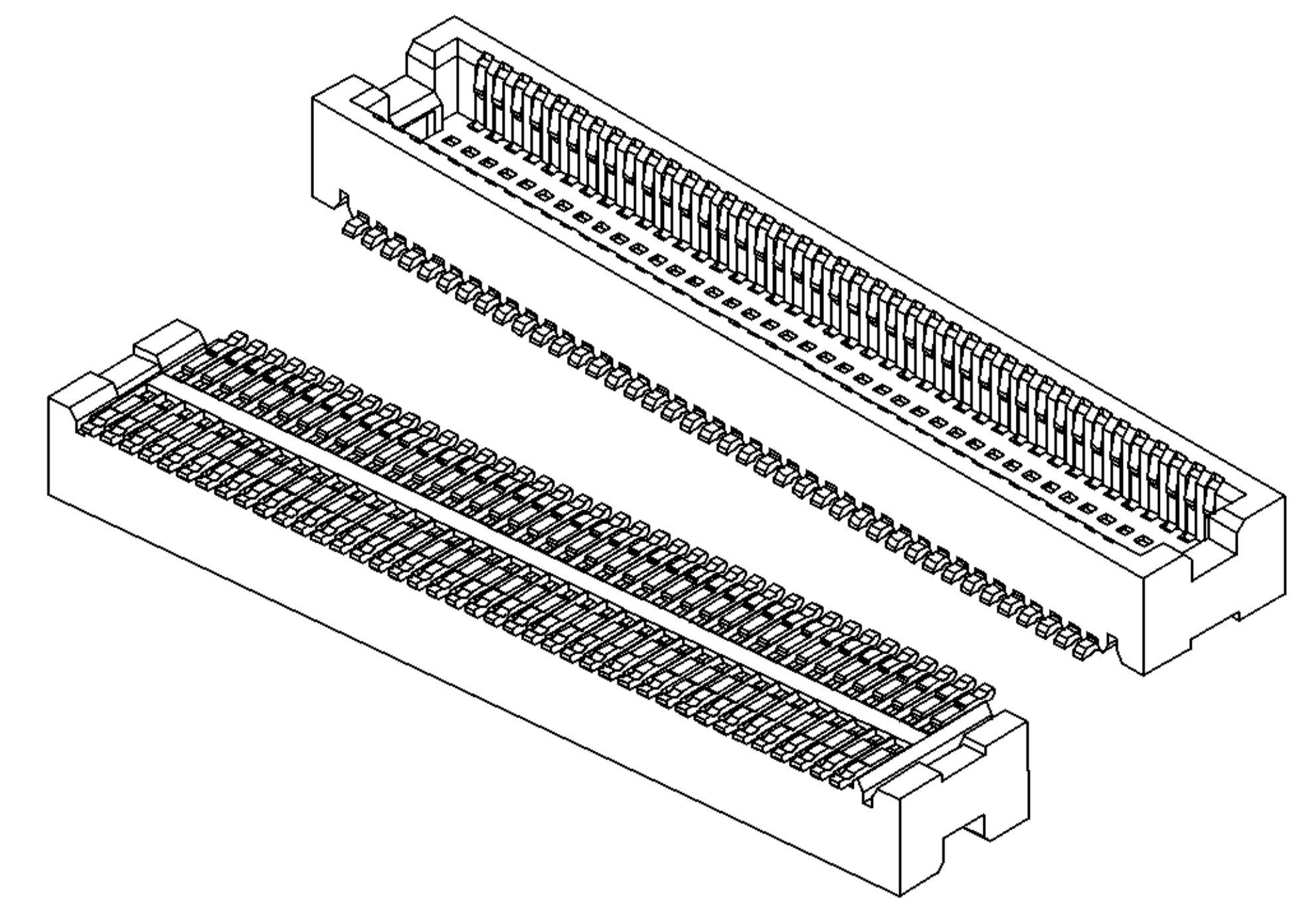
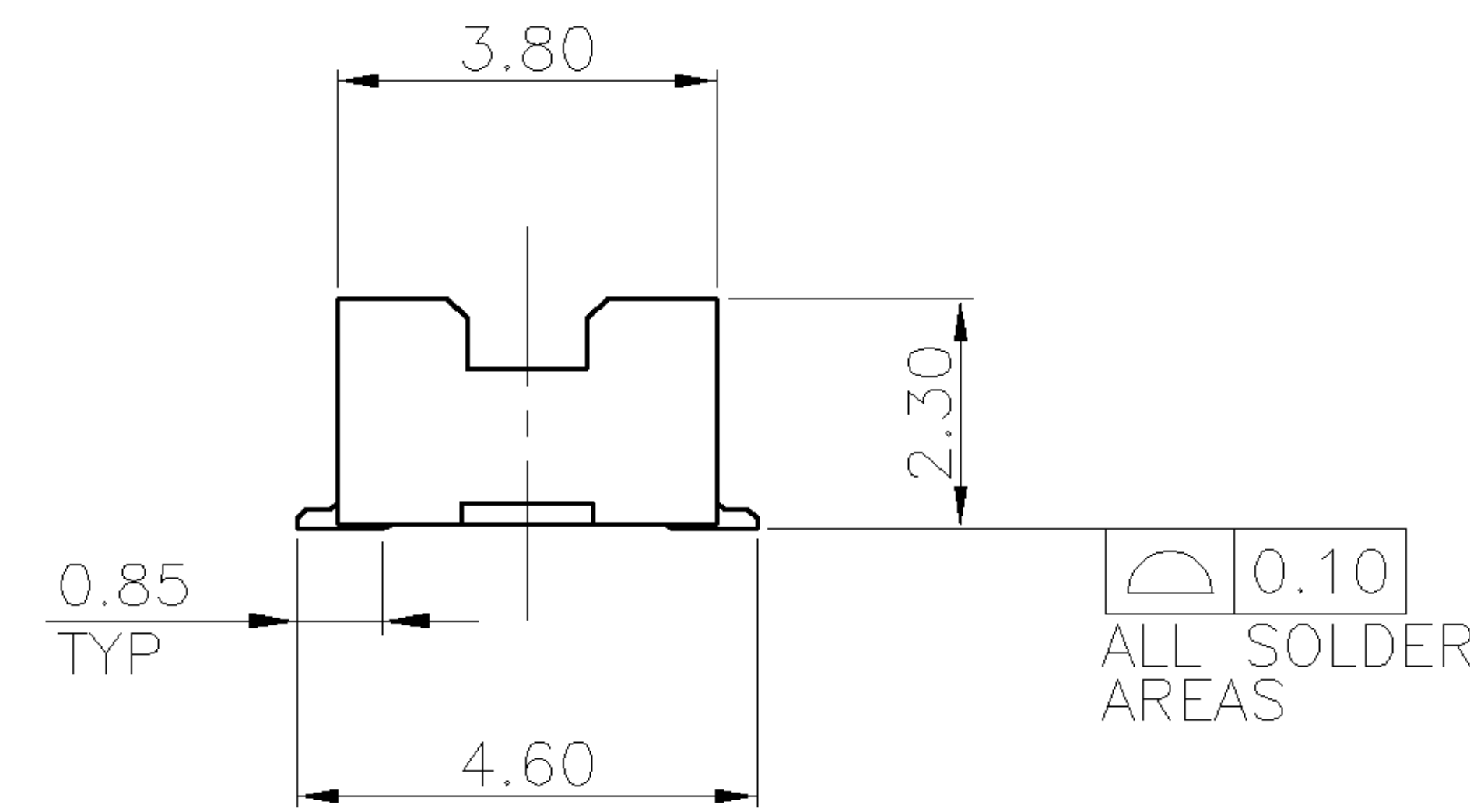
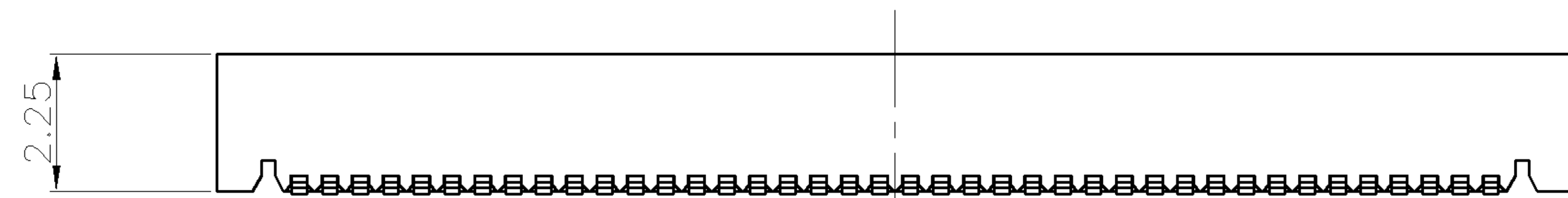
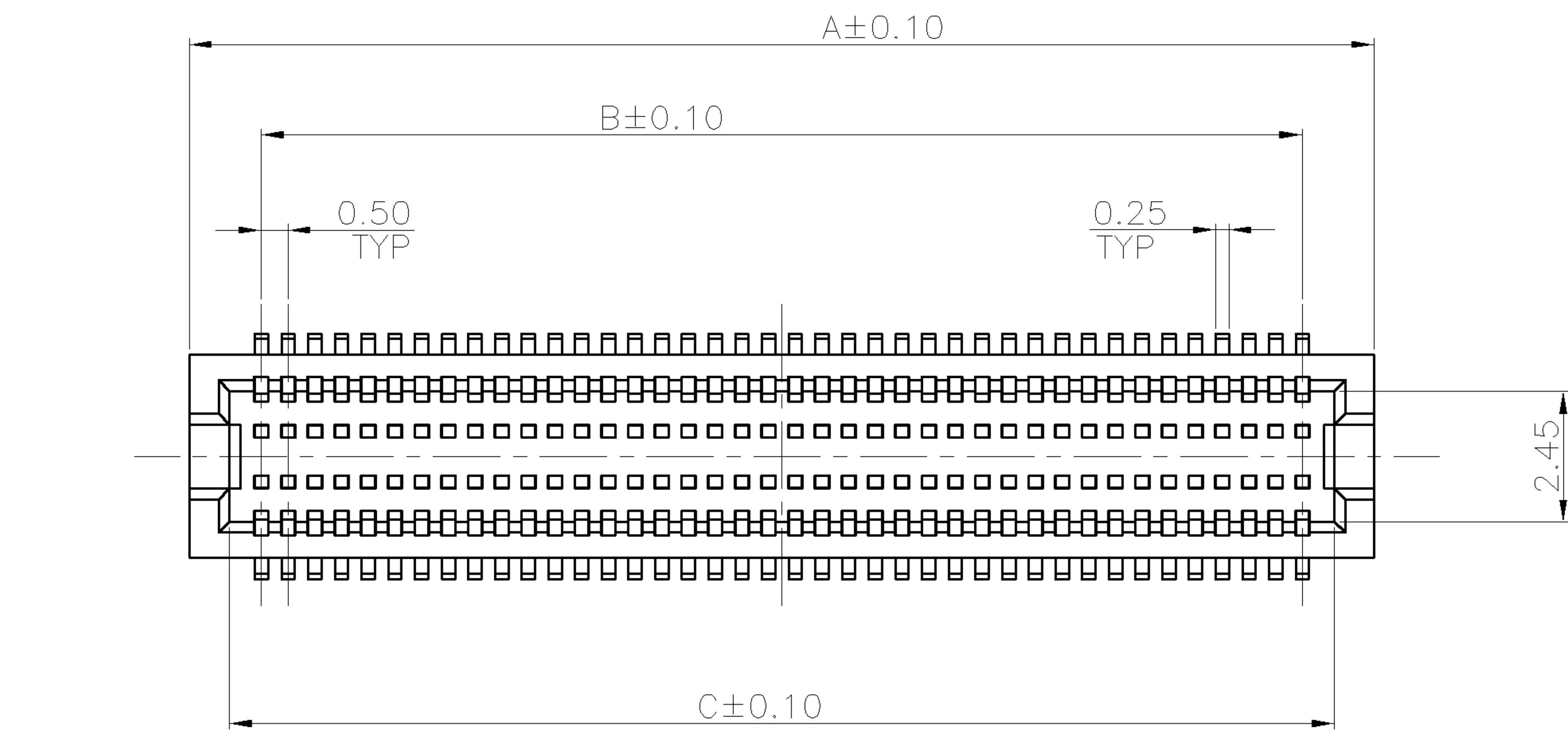
NUMBER
C-1775169



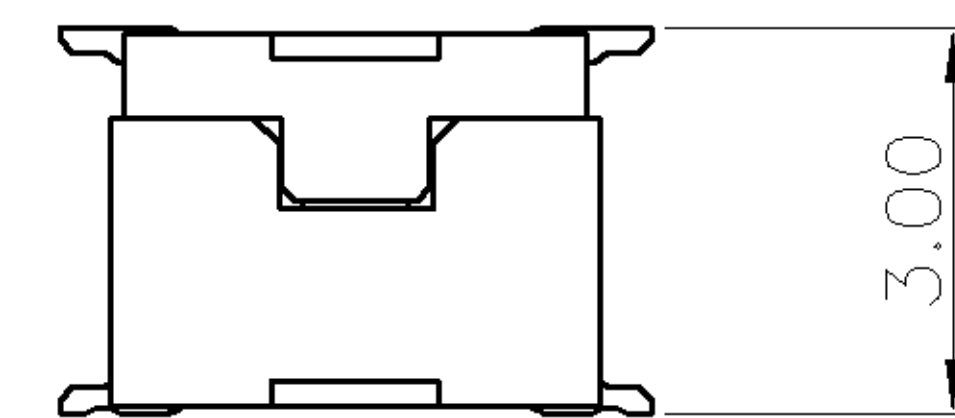
METRIC

THIS INFORMATION IS CONFIDENTIAL AND IS DISCLOSED TO YOU ON CONDITION THAT NO FURTHER DISCLOSURE IS MADE BY YOU TO OTHER THAN AMP PERSONNEL WITHOUT WRITTEN AUTHORIZATION FROM AMP (TAIWAN) LTD. DIMENSIONS IN MILLIMETERS. DO NOT SCALE PRINT.

PRINT
DW



RECOMMENDED P.C. BOARD LAYOUT



STACKING HEIGHT

NOTE:

- MATERIAL:
HOUSING: THERMOPLASTIC WITH 30% G/F, UL 94V-0, BLACK COLOR.
CONTACTS: PHOSPHOR BRONZE.
- FINISH:
CONTACTS: 5μ" MIN. GOLD PLATED OVER, 50μ" MIN. NICKEL ON ENTIRE CONTACT.
- REFLOW SOLDER CAPABLE TO 260°C AS PER TYCO SPEC. 109-201, CONDITION B.
- NO TYCO LOGO AND DATE CODE ON THE PRODUCT.
- RECEPTACLE PART NUMBERS (BASE NO.#): 1775187 THRU 1775190.

| WEIGHT | C | B | A | NO. OF CONTACTS | PART NUMBER |
|--------|-------|-------|-------|-----------------|-------------|
| 0.259g | 15.70 | 14.50 | 17.20 | 60 | 6-1775169-0 |
| 0.216g | 13.20 | 12.00 | 14.70 | 50 | 5-1775169-0 |
| 0.173g | 10.70 | 9.50 | 12.20 | 40 | 4-1775169-0 |
| 0.136g | 8.20 | 7.00 | 9.70 | 30 | 3-1775169-0 |
| 0.090g | 5.70 | 4.50 | 7.20 | 20 | 2-1775169-0 |

| | | | | | |
|--|--------------------------------|--|--|------------------------|-------------------------|
| TOLERANCES UNLESS OTHERWISE SPECIFIED: 0 PLC ±0.50 1 PLC ±0.38 2 PLC ±0.25 3 PLC ±0.15 ANGLES ±5° | | DWN A. WU 09-SEP-2005 | TYCO HOLDINGS (BERMUDA) VII LTD. TAIWAN BRANCH Electronics NAME | | |
| MATERIAL SEE NOTE | APVD W.J. KE 09-SEP-2005 | CHK S. HOU 09-SEP-2005 | BOARD TO BOARD CONNECTOR, 0.5 MM PITCH, FINE-MATE, PLUG, 3H | | |
| FINISH SEE NOTE | PRODUCT SPEC 108-57578 | QUALIFICATION TEST REPORT 501-57669 | LOC DW | SIZE A ₃ | DRAWING NO C-1775169 |
| | WEIGHT SEE TABLE | SCALE -- | REV O | | |
| | | SHEET 1 OF 2 | | | |

| | | | | |
|-----|-----------------|-----|------------|---------------|
| | | | | |
| O | FIRST RELEASED | -- | AW SH | 09SEP 2005 |
| LTR | REVISION RECORD | ECN | DWN CHK | DATE |

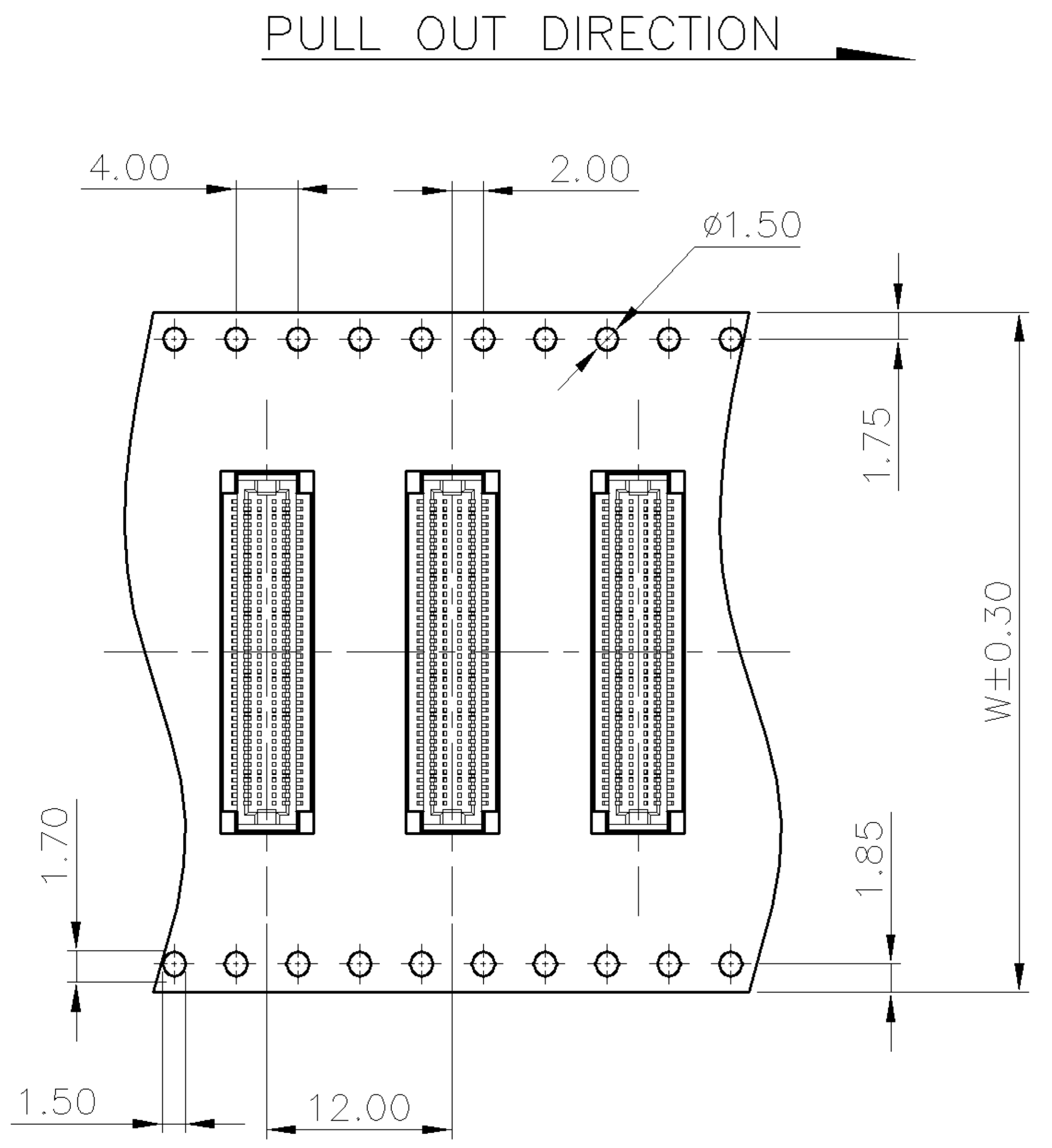
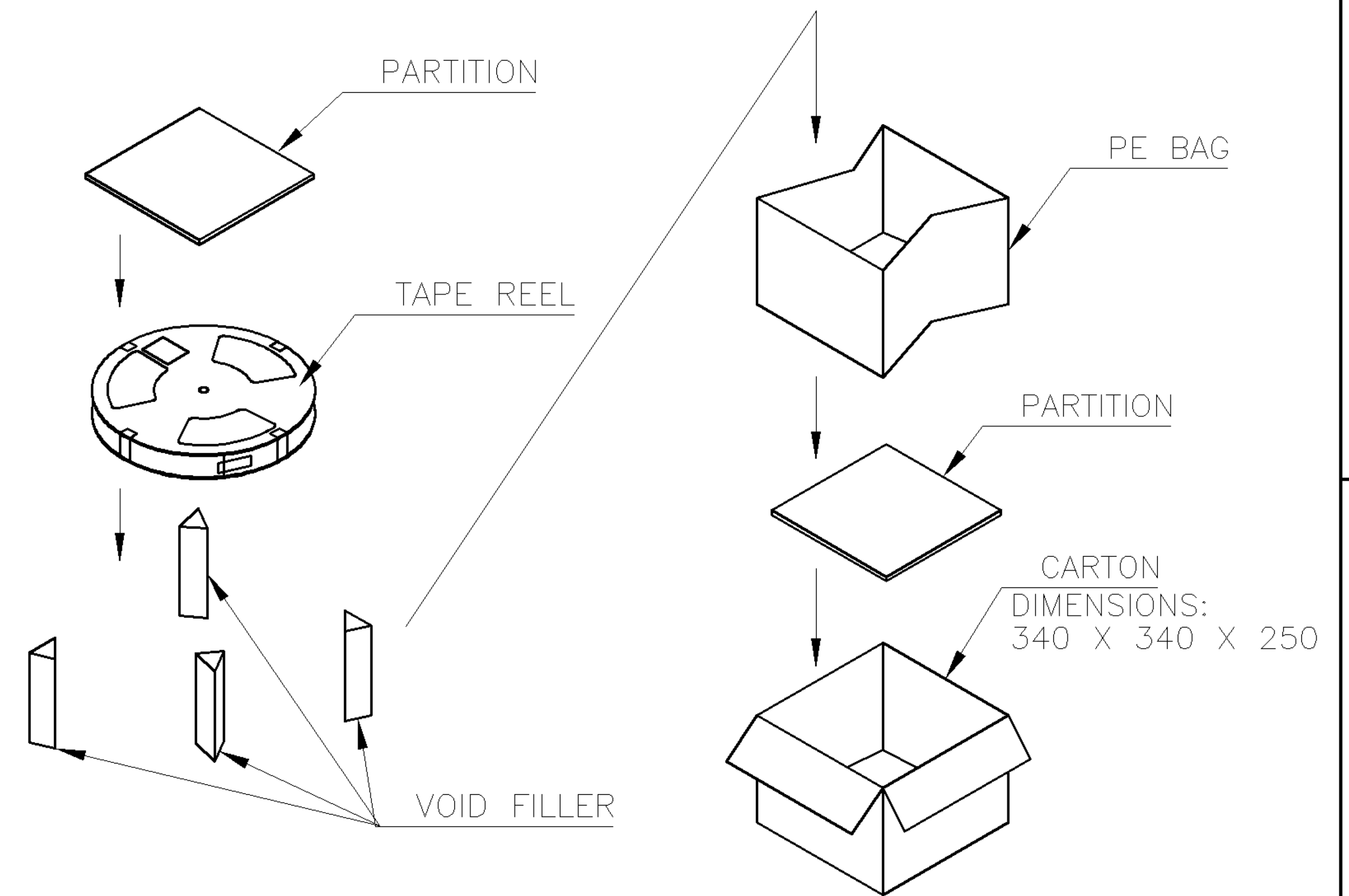
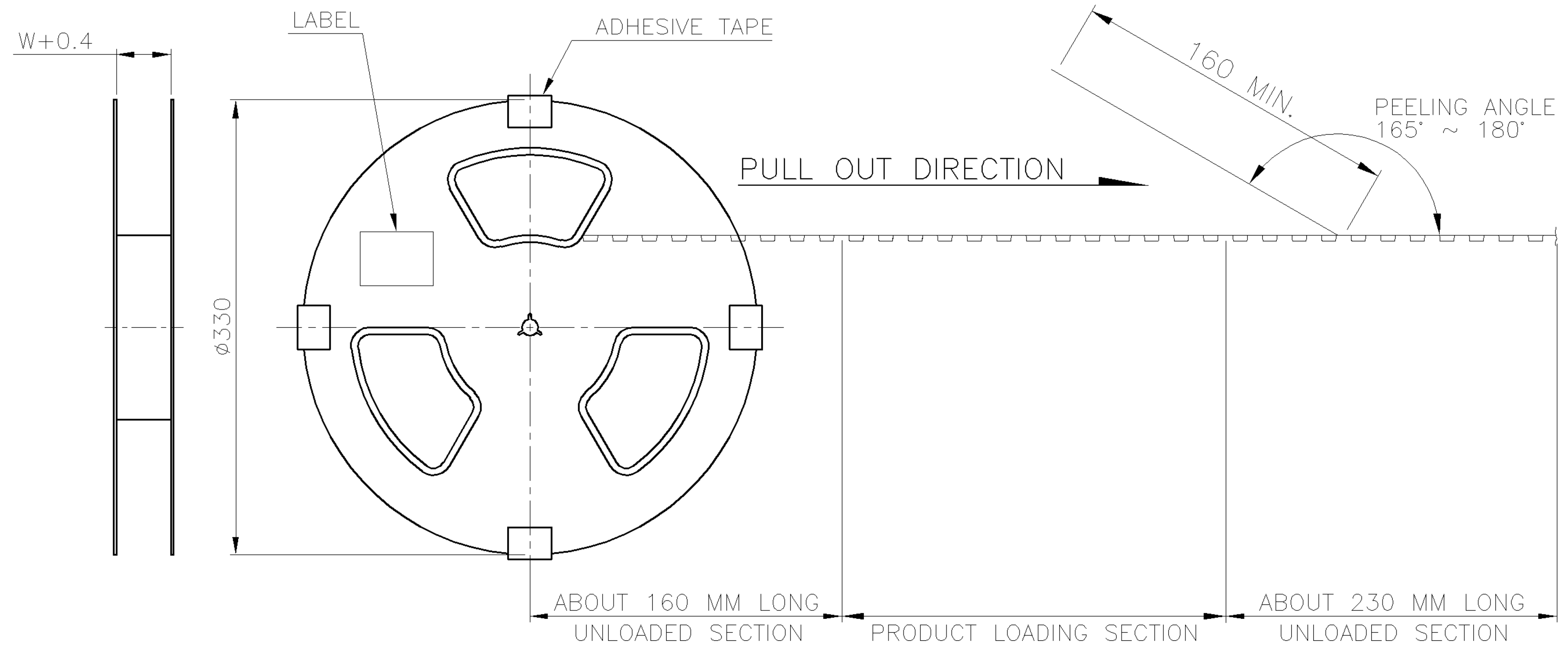
NUMBER
C-1775169

3RD ANGLE PROJECTION

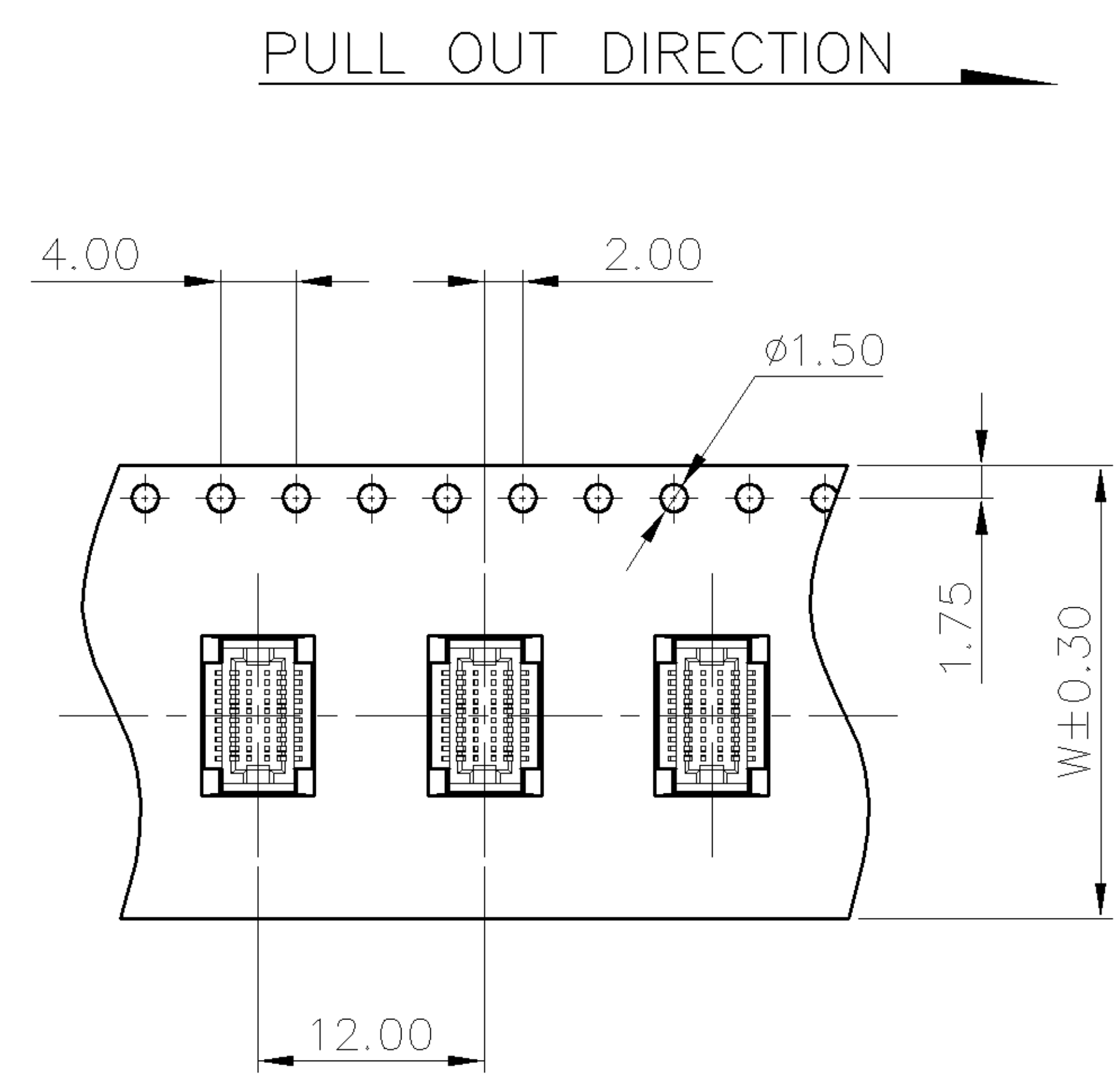
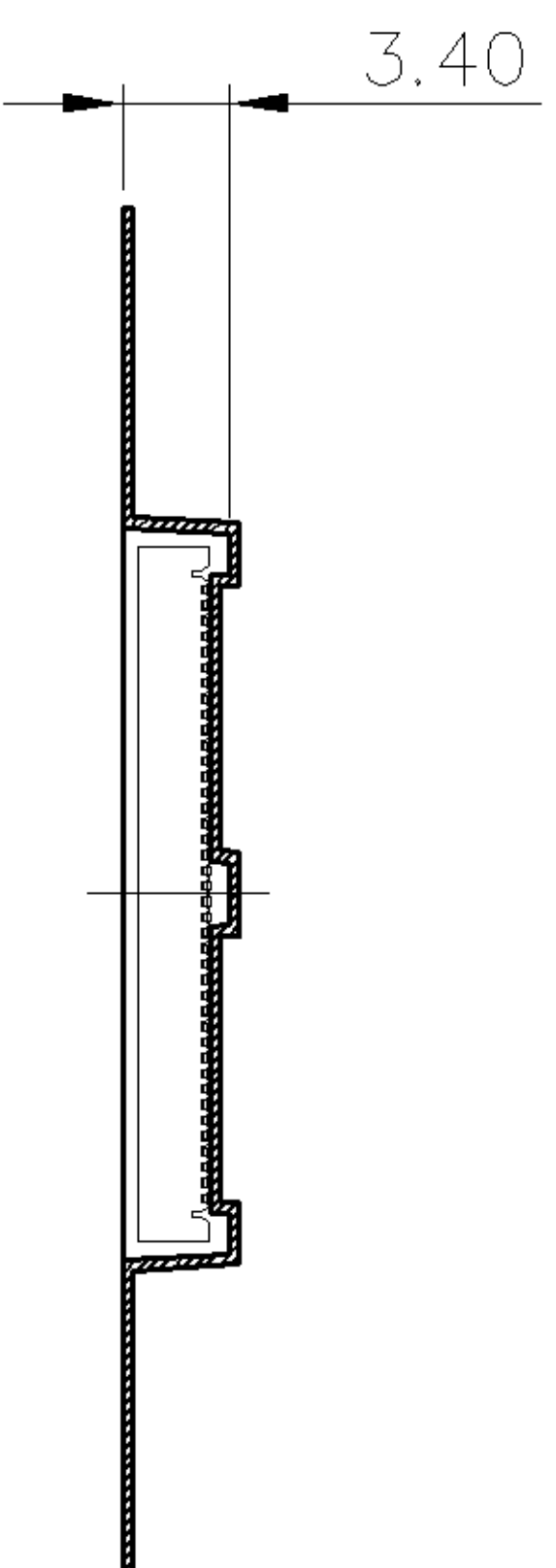
METRIC

THIS INFORMATION IS CONFIDENTIAL AND IS DISCLOSED TO YOU ON CONDITION THAT NO FURTHER DISCLOSURE IS MADE BY YOU TO OTHER THAN AMP PERSONNEL WITHOUT WRITTEN AUTHORIZATION FROM AMP (TAIWAN) LTD. DIMENSIONS IN MILLIMETERS. DO NOT SCALE PRINT.

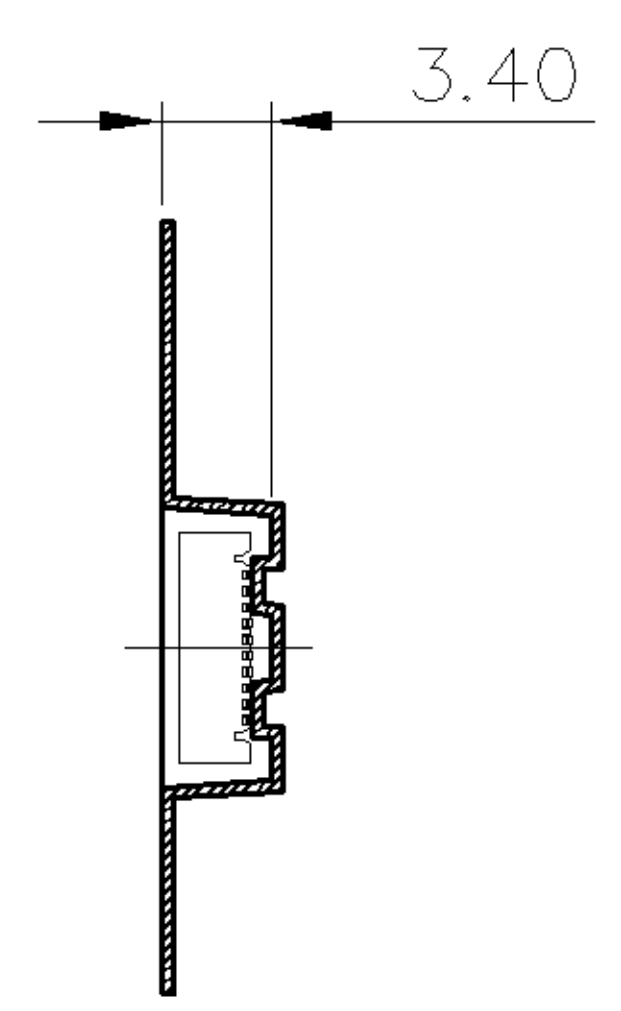
PRINT DIST
DW



CARRIER FOR 50 THRU 60 POSITION



CARRIER FOR 20 THRU 40 POSITION



| 1000 | 6 | 6000 | 32 | 5.55 | 1.55 | 60 |
|----------|--------------|----------|-------|----------|----------|-------------|
| | | | | 5.30 | 1.35 | 50 |
| | 7 | 7000 | 24 | 5.38 | 1.21 | 40 |
| | | | | 5.32 | 1.30 | 30 |
| | | | 5.00 | 0.63 | 20 | |
| PCS/REEL | REELS/CARTON | QUANTITY | DIM W | G/W (KG) | N/W (KG) | NO. OF POS. |

| | | | | | | | |
|---|--|------------------|------------------------|--|----------------|------------|-----|
| TOLERANCES UNLESS OTHERWISE SPECIFIED: 0 PLC ±- 1 PLC ±- 2 PLC ±- 3 PLC ±- ANGLES ±- | | DWN | A. WU 09-SEP-2005 | tyco TYCO HOLDINGS (BERMUDA) Electronics VII LTD. TAIWAN BRANCH NAME | | | |
| MATERIAL | | CHK | S. HOU 09-SEP-2005 | | | | |
| FINISH | | APVD | W.J. KE 09-SEP-2005 | BOARD TO BOARD CONNECTOR, 0.5 MM PITCH, FINE-MATE, PLUG, 3H | | | |
| | | PRODUCT SPEC | | | | | |
| | | APPLICATION SPEC | | LOC | SIZE | DRAWING NO | REV |
| | | WEIGHT | | DW | A ₃ | C-1775169 | O |
| | | | | SCALE | SHEET | | |
| | | | | -- | | 2 OF 2 | |

| | | | | |
|--------------|-----------------|-----|-----|------|
| SEE SHEET 1. | ECN | DWN | CHK | DATE |
| LTR | REVISION RECORD | | | |