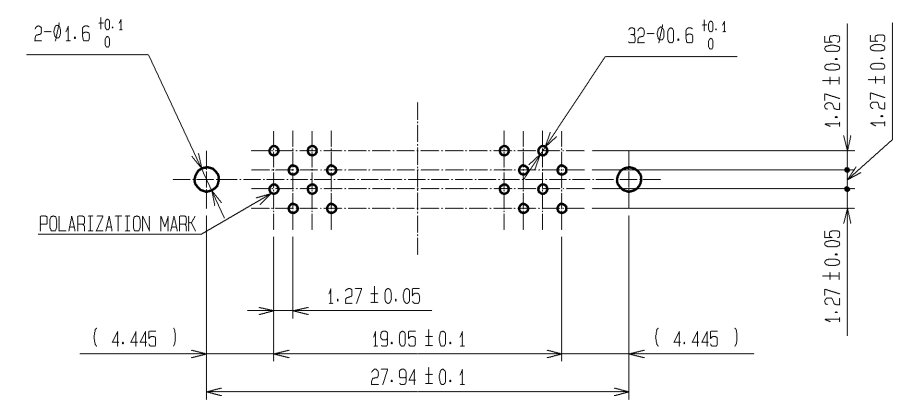


RECOMMENDED PC BOARD HOLE PATTERN(MOUNTING SIDE)

t=1.6



NOTES 1 LOT No. SHALL BE INDICATED AT OPPTIONAL POSITION.  
2 THE DIMENSIONS IN PARENTHESES ARE FOR REFERENCE.

3	PHOSPHOR BRONZE	TIN-PLATING		2	PHOSPHOR BRONZE	CONTACT AREA:GOLD 0.2#m min.		
1	POLYAMIDE	BEIGE	UL94V-0			DIP AREA:TIN-PLATING 1.2#m min.		
						UNDER PLATING:NICKEL 1#m min.		
NO.	MATERIAL	FINISH	REMARKS	NO.	MATERIAL	FINISH, REMARKS		
UNITS mm		SCALE 2 : 1	COUNT 	DESCRIPTION OF REVISIONS		DESIGNED	CHECKED	DATE
<b>HRS</b> HIROSE ELECTRIC CO., LTD.		APPROVED : HS. OKAWA	08.06.26	DRAWING NO. EDC3-082919-21				
		CHECED : HT. YAMAGUCHI	08.06.25	PART NO. FX4C-32P-1.27DSAL(71)				
		DESIGNED : SY. KAMIGA	08.06.23	CODE NO. CL574-0052-1-71				
		DRAWN : HK. SUNADORI	08.06.20					