

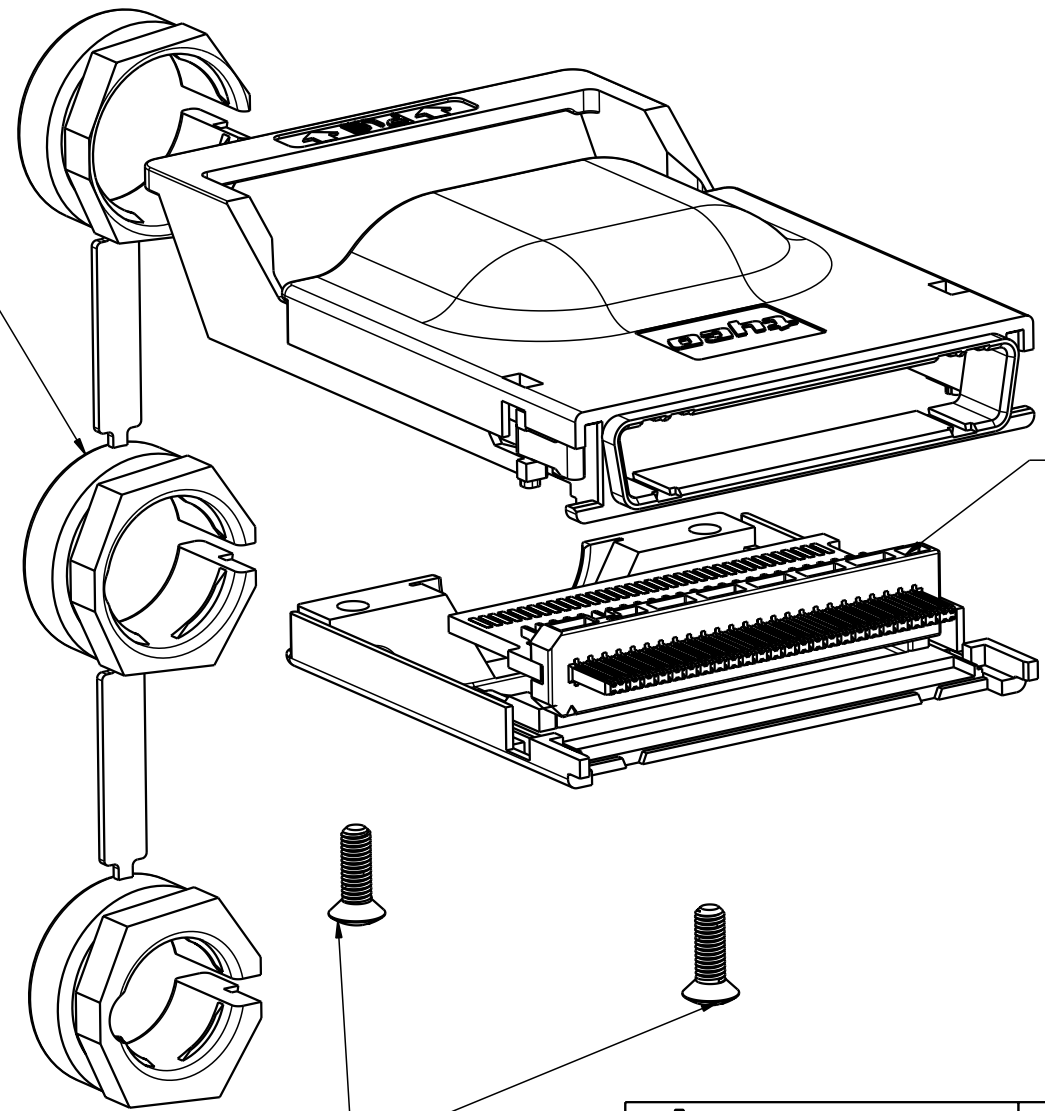
PRODUCT NO.
SEE TABLE

Tous droits strictement réservés. Reproduction ou communication à des tiers interdite sous quelque forme que ce soit sans autorisation écrite du propriétaire. Propriété de FCI. Droits de reproduction FCI.



All rights strictly reserved. Reproduction or issue to third parties in any form whatever is not permitted without written authority from the proprietor. Property of FCI. Copyright FCI.

CABLE COLLAR: 3 SIZES ARE AVAILABLE: SEE APPLICATION SPEC. GS-20-026 TO SELECT THE CORRECT SIZE FOR THE DIAMETER OF CABLE.



PLUG ASSEMBLY: WITH OR WITHOUT PCB, SEE CHART ON SHEET 5.

M2.5 x .45 OVAL HEAD SCREWS, 2X

TOLERANCES UNLESS OTHERWISE SPECIFIED				rev	ecn no	dr	date
LINEAR	0.X	±.3		A	V03-0152	GIP	04/03/03
	0.XX	±.10		B	V03-0584	GIP	05/30/03
	0.XXX	±.050		C	V03-0971	DAI	10/23/03
ANGULAR	0°	±2°		D	V04-0008	DAI	01/28/04
				E	V05-0064	TAB	03/04/05
				F	V05-0528	DAI	06/30/05

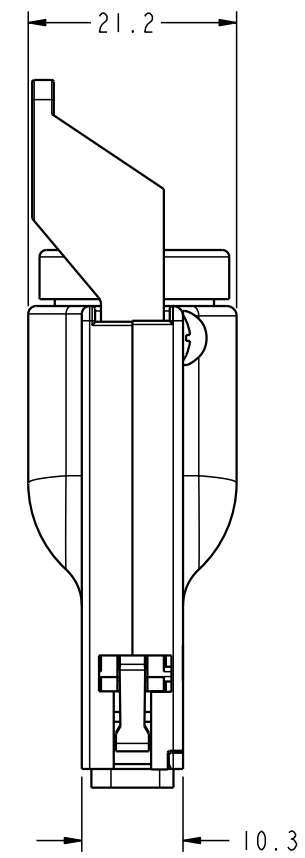
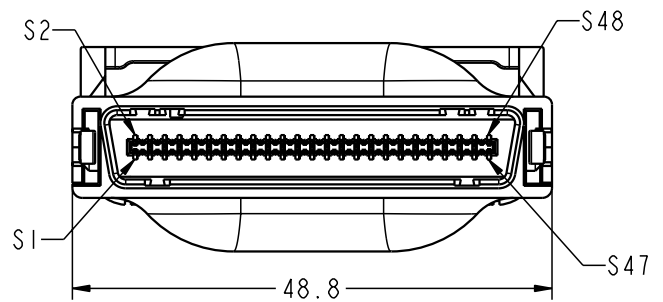
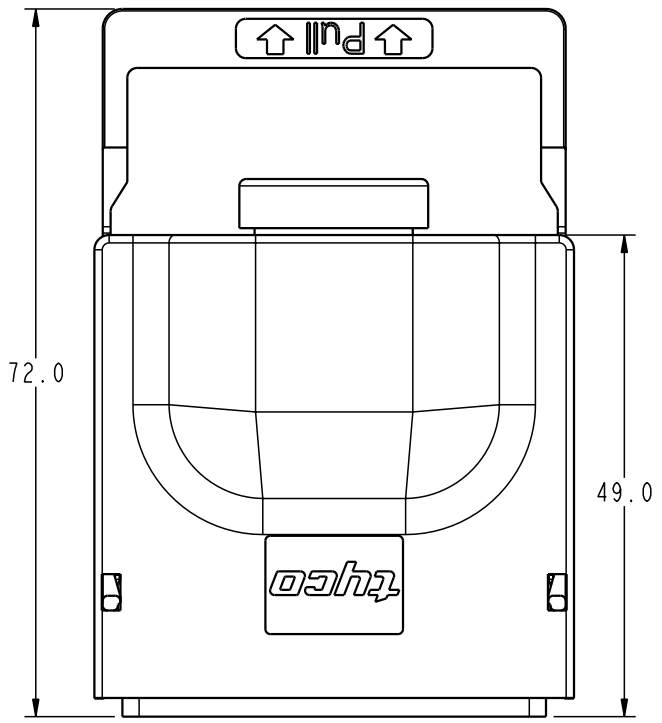
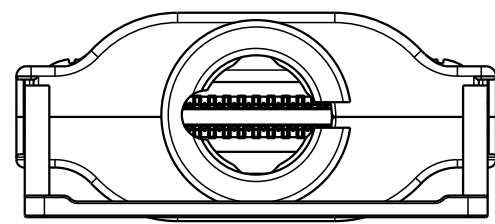
A FCI		www.fciconnect.com		surface 3.2 ASME Y14.5	tolerance ASME Y14.5	projection ASME Y14.5	MM
Dr	G.PETERS	04/03/03	Product family	EYEMAX(tm)	size	A4	Scale
Eng	D.BRANN	04/03/03	Spec ref	-	ECN	V05-0528	3:2
Chr	G.PETERS	04/03/03	Material	SEE NOTES			
Appr	D.BRANN	04/03/03					
title				12X PLUG KIT		Rev.	
catalog no				-		F	
dwg no				10019364		sheet 1 of 5	
CUSTOMER							



Tous droits strictement reserves. Reproduction ou communication a des tiers interdite sous quelque forme que ce soit sans autorisation écrite du propriétaire. Propriete de c FCI. Droits de reproduction FCI.

All rights strictly reserved. Reproduction or issue to third parties in any form whatever is not permitted without written authority from the proprietor. Property of FCI. Copyright FCI.

PRODUCT NO.
SEE TABLE



title	12X PLUG KIT For TYCO	dwg no	10019364	Rev.	F
catalog no	-	CUSTOMER	sheet 2 of 5		

3 PDM: Rev:F

STATUS Released

4 Printed: Jul 22, 2010

1

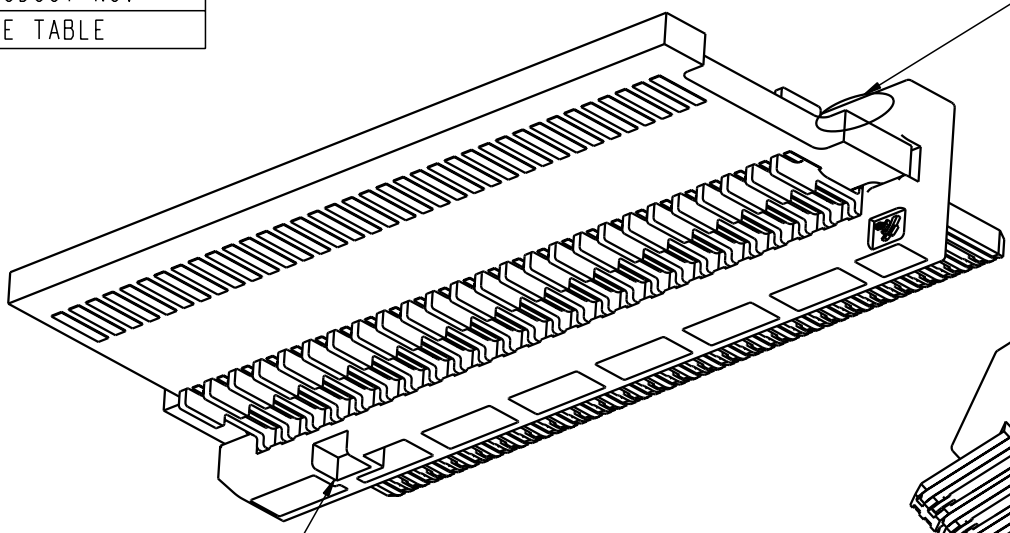
2

3

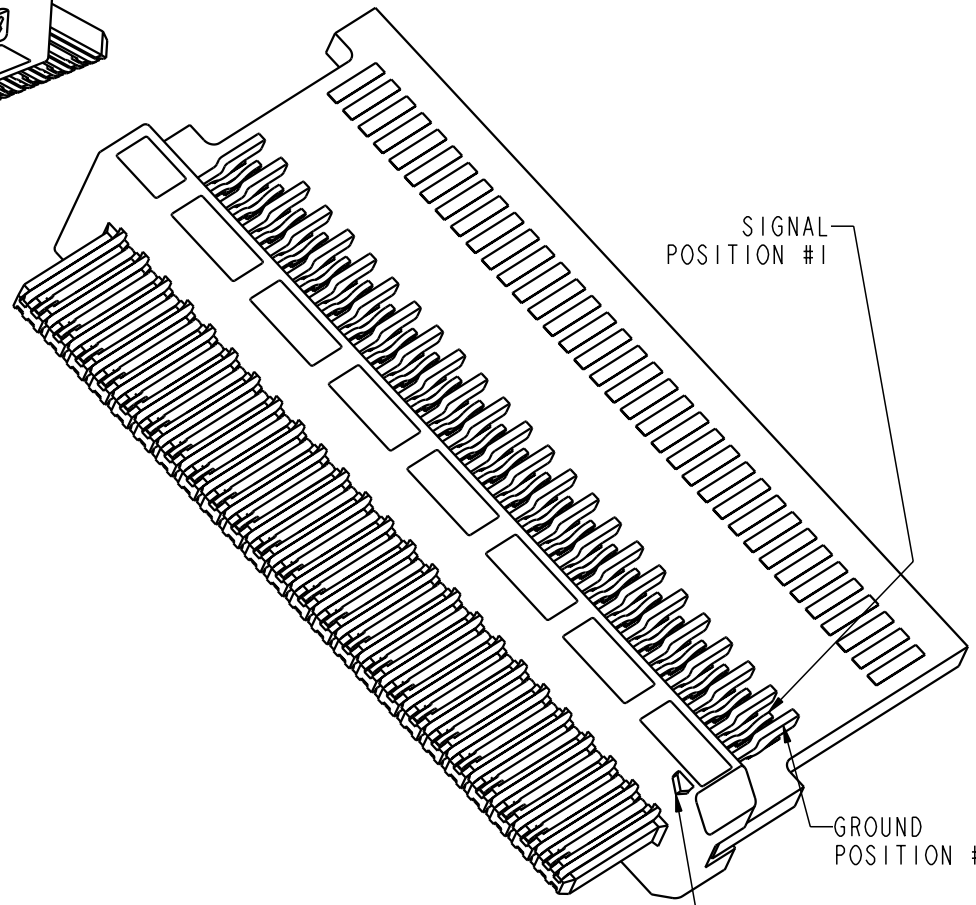
4

PRODUCT NO.
SEE TABLE

DATE CODE AREA



KEYING FEATURE
SCALE 3:1



SIGNAL POSITION #1

GROUND POSITION #1

POSITION #1 MARK
SCALE 3:1

Tous droits strictement reserves. Reproduction ou communication a des tiers interdite sous quelque forme que ce soit sans autorisation écrite du propriétaire. Propriete de c FCI. Droits de reproduction FCI.



All rights strictly reserved. Reproduction or issue to third parties in any form whatever is not permitted without written authority from the proprietor. Property of FCI. Copyright FCI.

title	12X PLUG KIT		dwg no	10019364	Rev.	F
	For TYCO			CUSTOMER		sheet 3 of 5
catalog no	-					

PDM: Rev:F

STATUS: Released

4 Printed: Jul 22, 2010

A

B

C

D

1

2

3

4

Tous droits strictement reserves. Reproduction ou communication a des tiers interdite sous quelque forme que ce soit sans autorisation écrite du propriétaire. Propriete de c FCI. Droits de reproduction FCI.



All rights strictly reserved. Reproduction or issue to third parties in any form whatever is not permitted without written authority from the proprietor. Property of FCI. Copyright FCI.

PRODUCT NUMBER	DESCRIPTION
10019364-001	TYCO PLUG KIT WITH UNEQUALIZED PCB
10019364-002	TYCO PLUG KIT WITHOUT PCB
10019364-003	TYCO PLUG KIT WITH EQUALIZED PCB WITHOUT COMPONENTS
10019364-004	TYCO PLUG KIT WITH EQUALIZED PCB WITH COMPONENTS

* ADD LF TO END OF PART NUMBER FOR LEAD FREE SOLDER TAILS
 EXAMPLE: 10019364-001LF, SEE LEAD FREE NOTES BELOW.

NOTES:

- PACKAGING SPECIFICATION: GS-14-794
- APPLICATION SPECIFICATION GS-20-026 FOR PADDLE CARD AND CABLE TERMINATION DETAILS.
- PRODUCT SPECIFICATION GS-12-209
- MATERIAL:
 - CONTACTS: COPPER ALLOY WITH GOLD OVER NICKEL PLATING IN THE CONTACT AREA AND TIN/LEAD PLATING ON SOLDER TAIL UNLESS PART NUMBER ENDS LF, LEAD FREE SOLDER TAIL PLATING 2um (80u") MIN MATTE TIN OVER 1.27um (50u") MIN NICKEL UNDERPLATE.
 - HOUSING: HIGH TEMPERATURE THERMOPLASTIC, UL 94V-0 RATED, SUITABLE FOR REFLOW SOLDERING.
 - SHELLS: ZINC WITH NICKEL PLATING AND COPPER UNDERPLATING
 - PULL TAB & CABLE COLLAR: THERMOPLASTIC
 - LATCH: STAINLESS STEEL
- MATES WITH RECEPTACLE 58366 OR 58367.

PCB NOTES:

- PADS ON BOTH SIDES OF PCB.
- DIMENSIONS APPLY TO BOTH SIDES OF PCB LOCATED FROM DATUM A & B.
- 3 THIS AREA NOT TO BE USED TO LOCATE SOLDER TAILS TO SOLDER PADS. THIS AREA IS TO AID IN ASSEMBLY BY LIMITING THE TOP & BOTTOM MOVEMENT OF THE PADDLE CARD.
- PCB THICKNESS: 1.57mm (.062).

LEAD FREE NOTES:

- IF LEAD FREE PART NUMBER, THE HOUSING WILL WITHSTAND EXPOSURE TO 260°C PEAK TEMPERATURE FOR 10 SECONDS IN A WAVE SOLDER APPLICATION WITH A 1.60mm MIN THICK CIRCUIT BOARD.
- PACKAGING OF LEAD FREE PRODUCTS MEETS LABELING AND PACKAGING SPECIFICATION GS-14-920.
- LEAD FREE PRODUCTS MEET EUROPEAN UNION DIRECTIVES AND OTHER COUNTRY REGULATIONS AS DESCRIBED IN GS-22-008.

title	12X PLUG KIT		dwg no	10019364		Rev.	F
	For TYCO			CUSTOMER			sheet 5 of 5
catalog no			-				

A
B
C
D