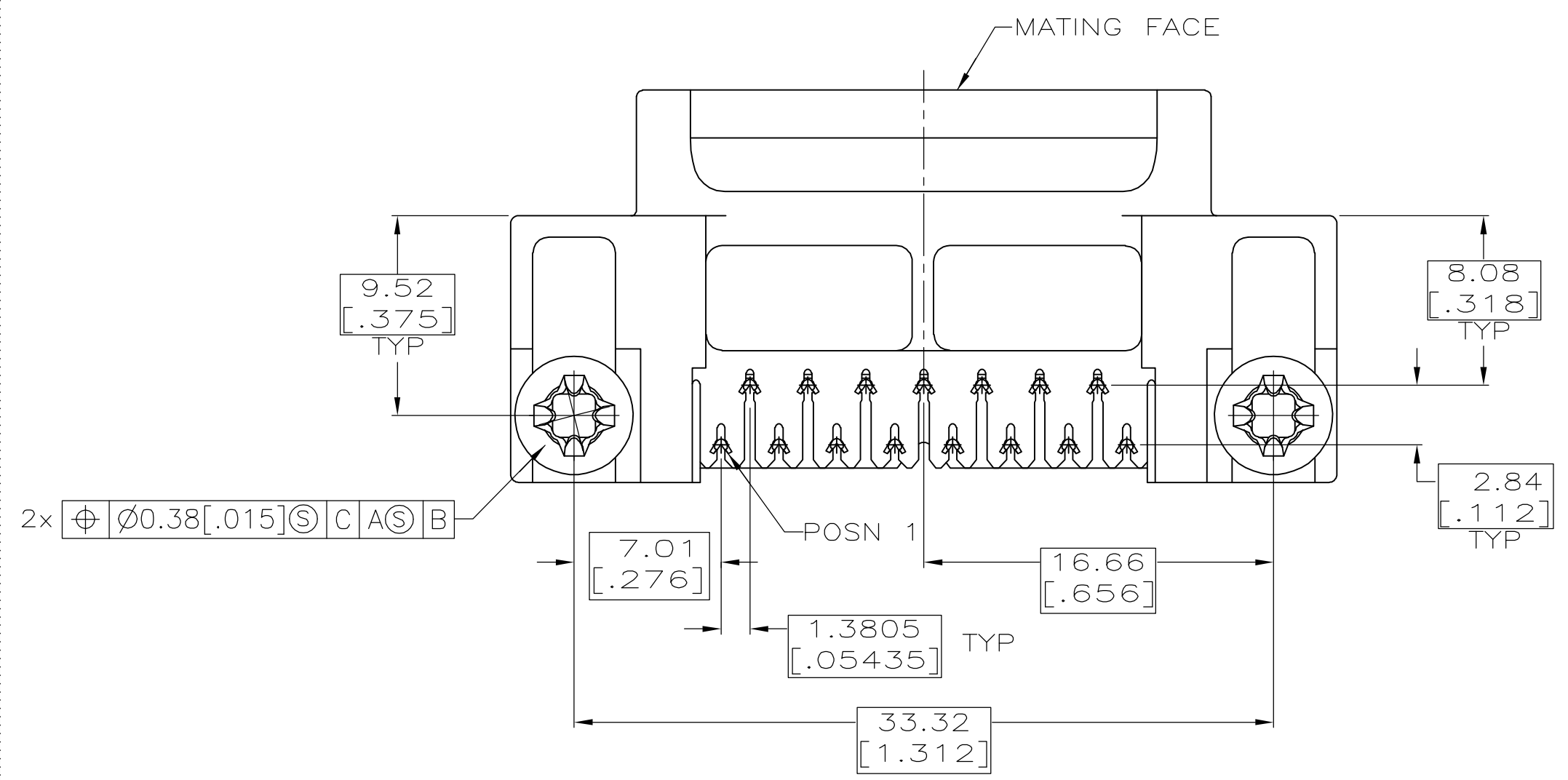
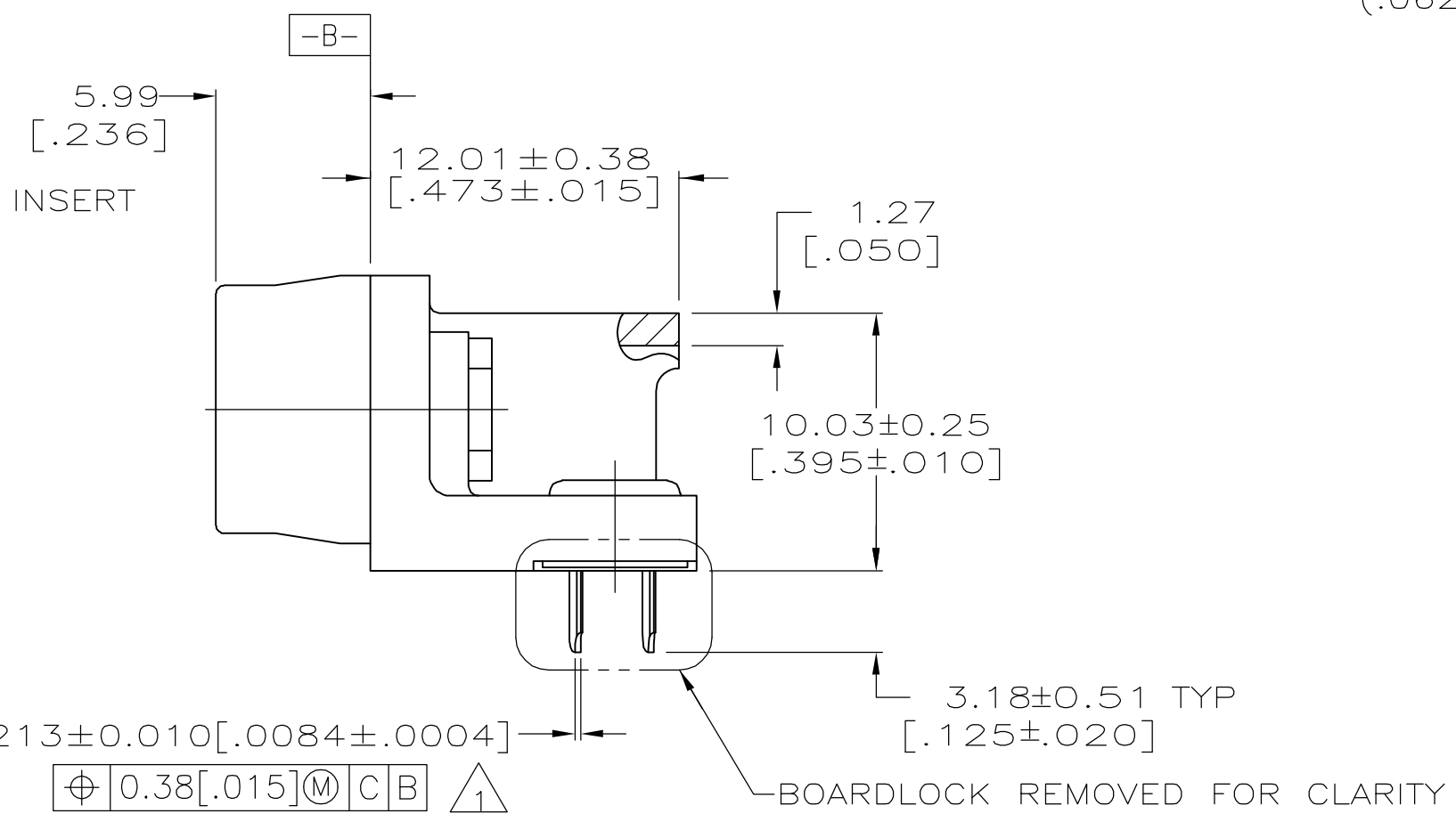
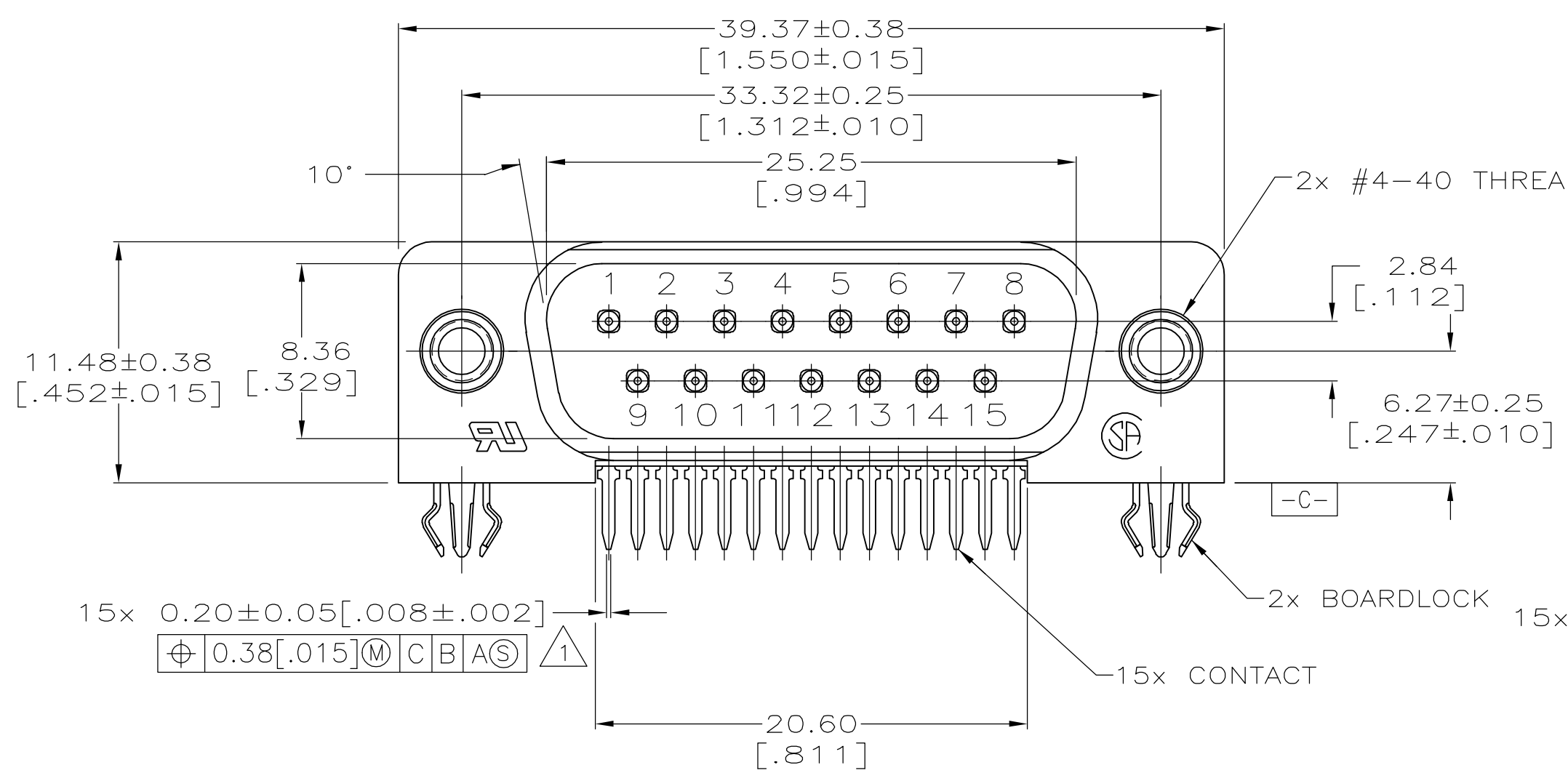


PC BOARD MOUNTING DIMENSIONS
 (.062 PC BOARD THICKNESS)

- \triangle POSITION TOLERANCE APPLIES AT TIP ONLY.
- \triangle HOUSING: FLAME RETARDANT 94V-0, GLASS FILLED, NYLON OR POLYESTER, COLOR BLACK.
- CONTACTS: BARSS
- EYELETS: BRASS
- INSERTS: ZINC
- BOARDLOCKS: COPPER ALLOY
- \triangle EYELETS: 2.54 μ m [.000100] MIN TIN OVER COPPER FLASH.
- BOARDLOCKS: 3.81 μ m [.00015] MIN TIN OVER 1.27 μ m [.000050] MIN NICKEL.
- CONTACTS: GOLD PLATED FOR A LENGTH OF 3.81 [.150] MIN FROM MATING END, 0.76 μ m [.000030] MIN GOLD IN MATED AREA, 2.54 μ m [.0001] MIN TIN FOR A LENGTH OF 3.68 [.145] MIN FROM OPPOSITE END, BOTH OVER 1.27 μ m [.000050] MIN NICKEL.
- INSERTS: CLEAR CHROMATE COATING.



5748904-1
 PART NO

**COPYRIGHT 2005
 TYCO ELECTRONICS CORP
 ALL RIGHTS RESERVED**

THIS DRAWING IS A CONTROLLED DOCUMENT.		DWN G. PETERS 20SEP05	20SEP05	Tyco Electronics Corporation Harrisburg, PA 17105-3608
DIMENSIONS: mm [INCHES]		CHK S. BOLASH 20SEP05	20SEP05	
TOLERANCES UNLESS OTHERWISE SPECIFIED:		APVD M. WALMSLEY 20SEP05	NAME	PLUG ASSEMBLY, SIZE 2, 15 POSN. ALL PLASTIC, RIGHT ANGLE, .318 SERIES, AMPLIMITE III
Φ 0.10 ± 0.005 Φ 0.10 ± 0.005 Φ 0.10 ± 0.005 ANGLES ± 2°		PRODUCT SPEC 108-1226	APPLICATION SPEC 114-40027	
MATERIAL	FINISH	WEIGHT	SIZE A1	CAGE CODE 00779
CUSTOMER DRAWING		SCALE 4:1	SHEET 1	REV 1