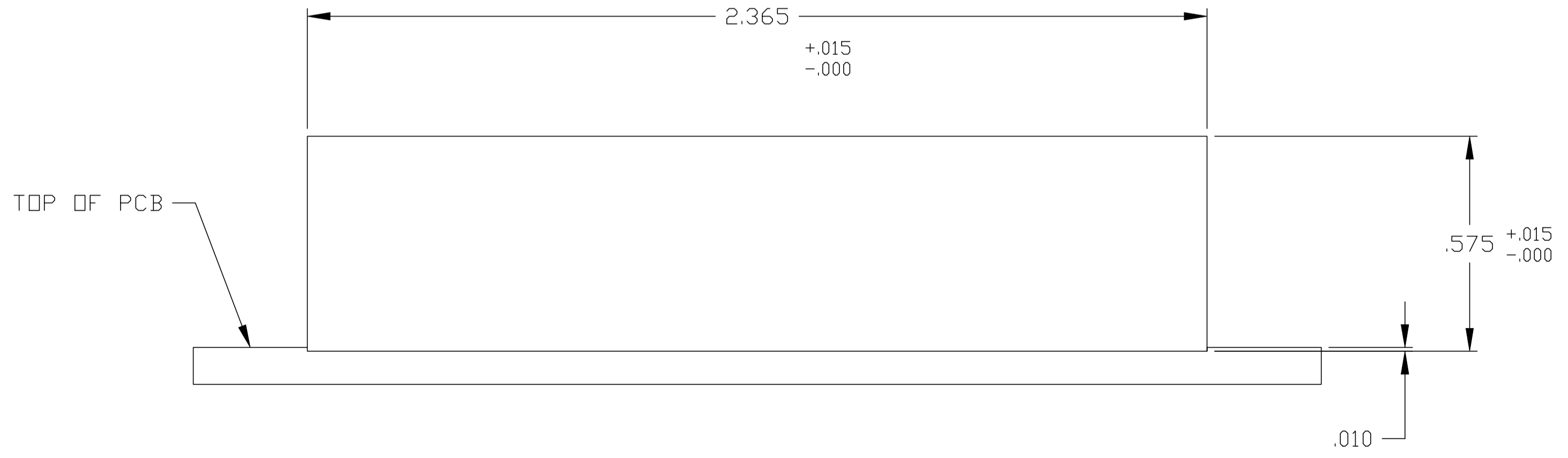
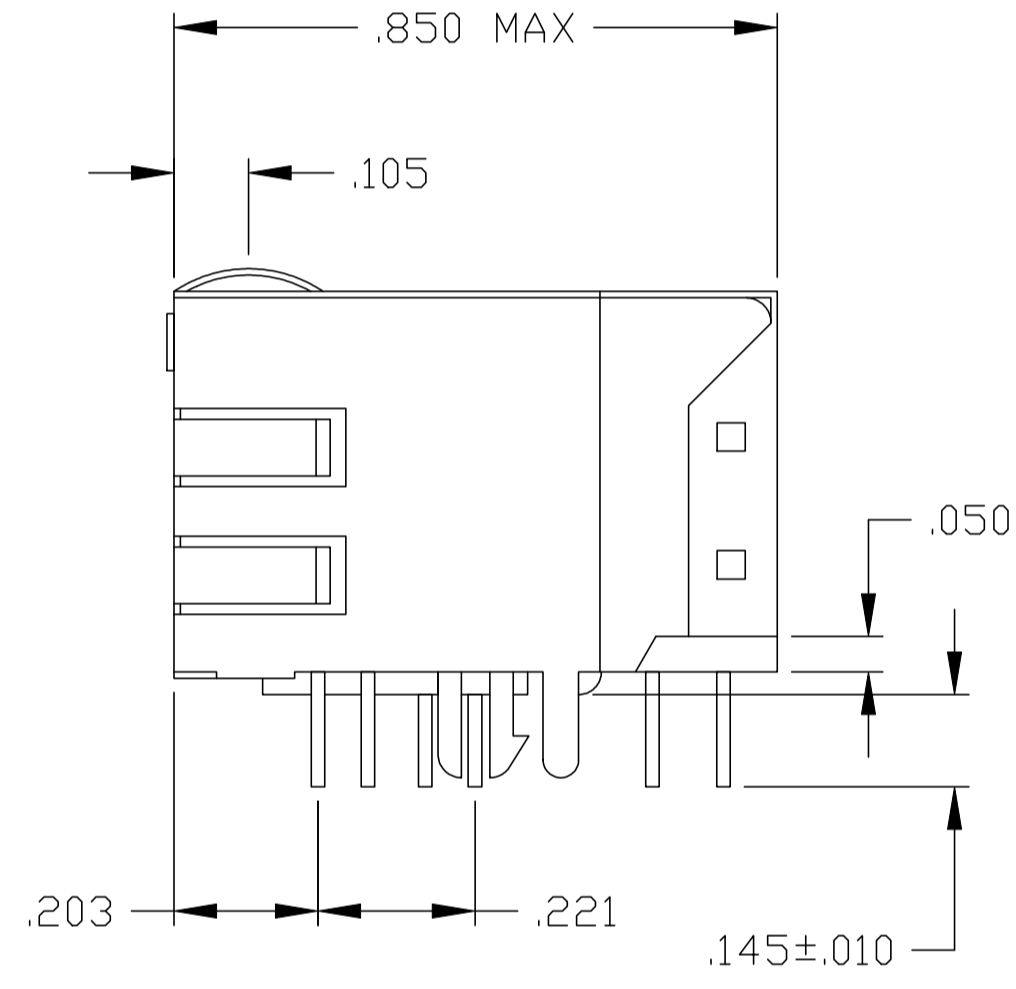
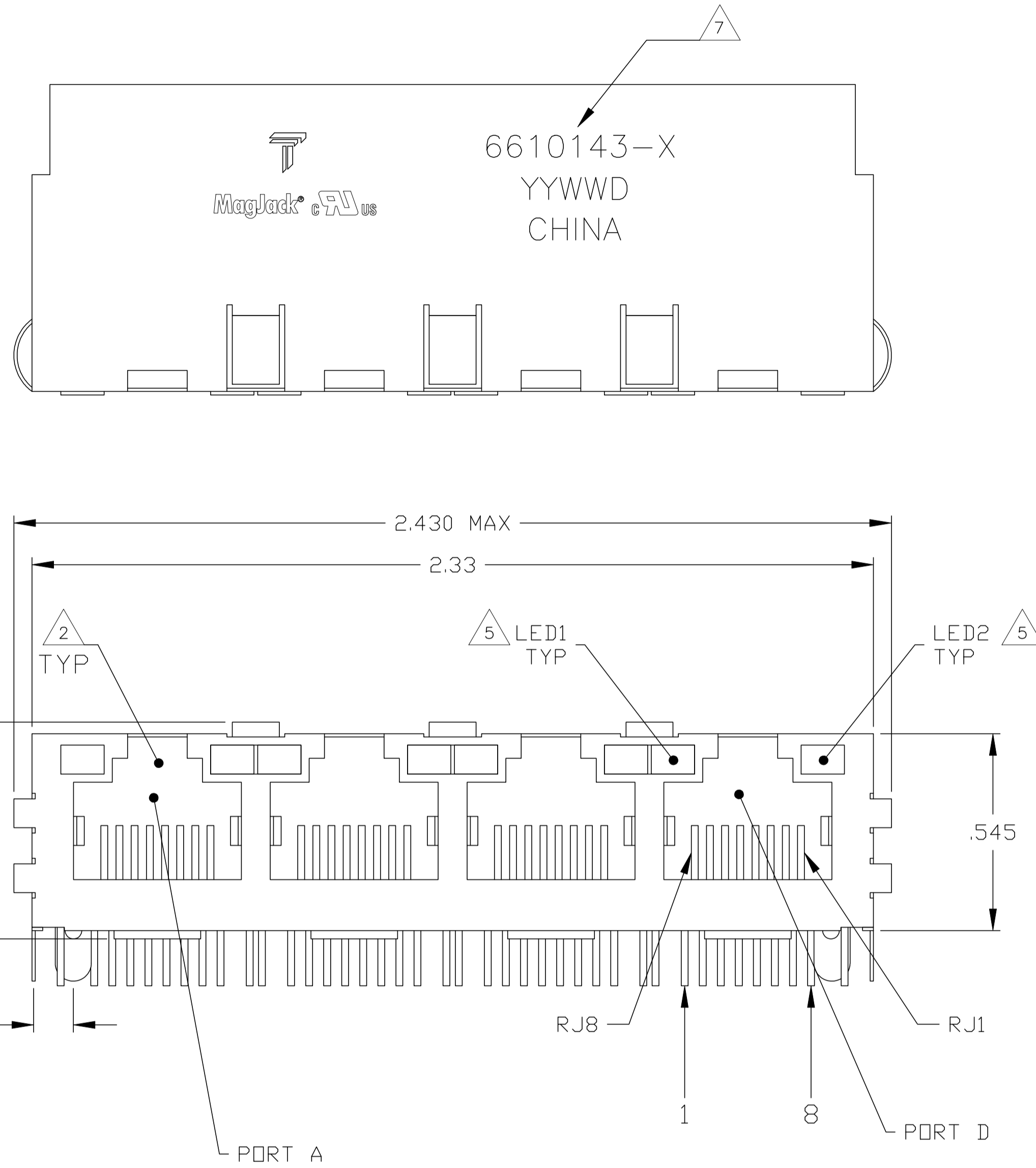


THIS DRAWING AND THE SUBJECT MATTER SHOWN THEREON ARE CONFIDENTIAL AND THE PROPERTY OF BEL/STEWART/TRP CONNECTOR AND SHALL NOT BE REPRODUCED, COPIED, OR USED IN ANY MANNER WITHOUT THE WRITTEN CONSENT OF TRP CONNECTOR.

PRODUCT MAY BE PROTECTED BY ONE OR MORE OF THE FOLLOWING US PATENTS:  
 5736910 5939955 6425781 6428361 6554638 6840817 7123117  
 7429195 7717749 7808751 6217391 6149050 7924130

REVISIONS				
P	LYR	DESCRIPTION	DATE	APVD
E		EC-1411035 COMPANY LOGO CHANGE	06JAN2015	DZ TL

MECHANICAL:



1X4 SUGGESTED PANEL CUTOUT

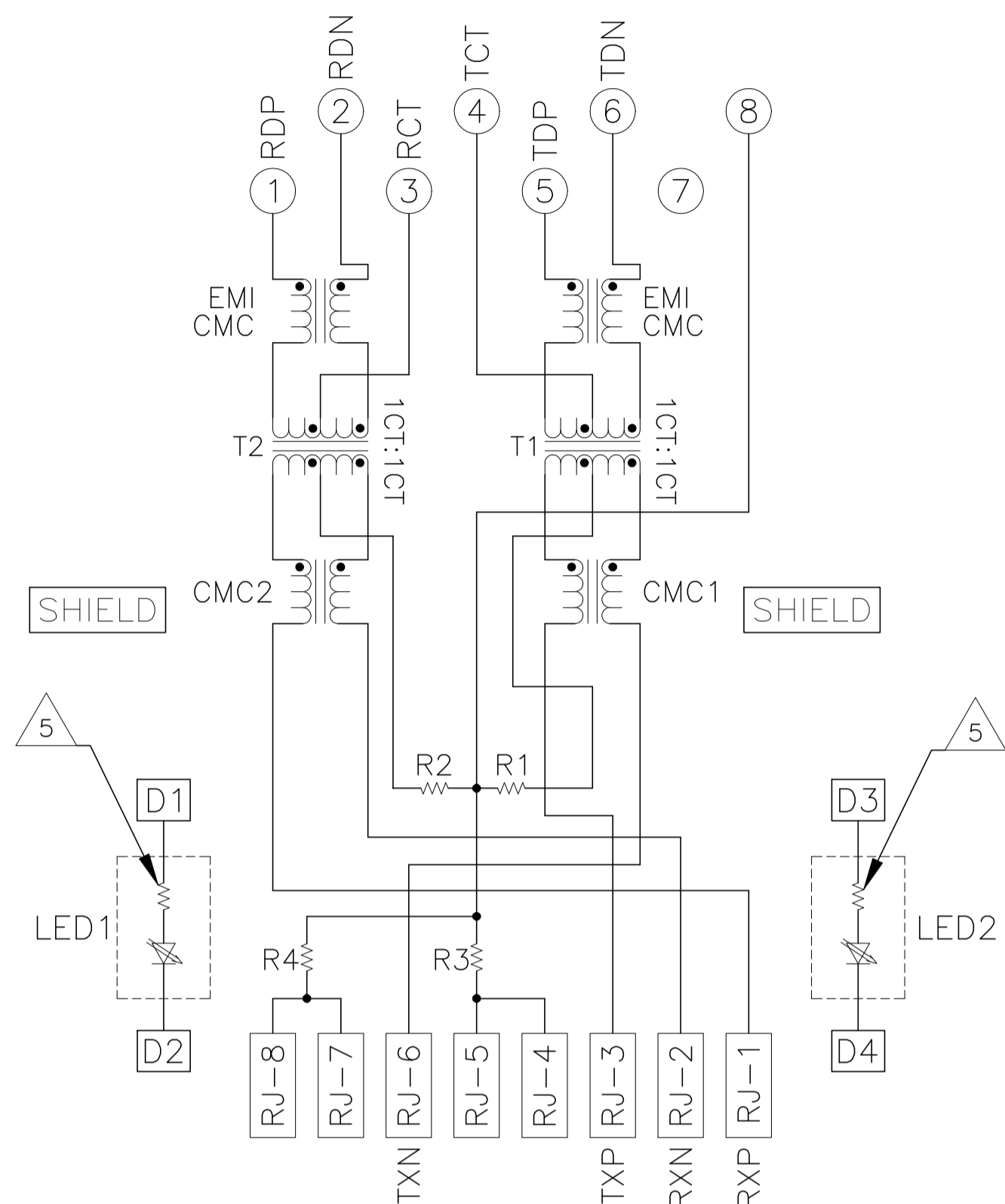
1. MATERIALS:  
 -HOUSING - THERMOPLASTIC PET POLYESTER FLAMMABILITY RATING UL 94V-0.  
 -SHIELD - .010" THICK, C26800 BRASS PREPLATED WITH 30μINCH MIN SEMI-BRIGHT NICKEL. SOLDER TABS POST DIPPED WITH 100μINCH MIN SAC SOLDER.  
 -MOD JACK CONTACTS - 0.0157 X 0.018" PHOSPHOR BRONZE, 50μINCH MIN OVERALL NICKEL UNDERPLATE. WITH SELECT 50μINCH MIN HARD GOLD FINISH PLATE. SOLDER TAILS WITH 100μINCH MIN MATTE TIN AND/OR SAC SOLDER DIP.  
 -LIGHT EMITTING DIODE(LED) - DIFFUSED EPOXY LENS, .020" X .020" CARBON STEEL WIREFRAME LEADS PRE-PLATED WITH 80μINCH SILVER OVER 40μINCH NICKEL UNDERPLATE OVER 40μINCH COPPER UNDERPLATE. POST-PLATED WITH 100μIN MIN MATTE TIN AND/OR SAC SOLDER DIP OR PURE TIN SOLDER DIP.
2. RJ45 JACK CAVITY CONFORMS TO FCC RULES AND REGULATIONS PART 68, SUB PART F.
3. MAGNETICS  
 -IMPEDANCE: 100 OHMS  
 -TURNS RATIO (CHIP CABLE): TX = 1:1, RX = 1:1  
 -OPEN CIRCUIT INDUCTANCE (OCL): 350μH MIN @100kHz, 0.1VRMS, 8mADC BIAS FROM 0°C TO 70°C, TX AND RX  
 -PERFORMANCE @ 25°C:  
 INSERTION LOSS (IL): 1.1dB MAX FROM 0.5MHz TO 100MHz  
 RETURN LOSS (RL): 18dB MIN FROM 0.5MHz TO 30MHz  
 18-20LOG(f/30)dB MIN FROM 30.1MHz TO 60MHz  
 12dB MIN FROM 60.1MHz TO 80MHz  
 CROSSTALK ATTENUATION: 35dB MIN FROM 0.5MHz TO 40MHz  
 33-20\*LOG(f/50)dB MIN FROM 40.1MHz TO 100MHz  
 COMMON MODE REJECTION RATIO (CMRR): 30dB MIN FROM 0.5MHz TO 100MHz  
 -ISOLATION VOLTAGE: 2250VDC (MAX) FOR 60 SECONDS WITH A RISE TIME OF 500V/SEC AND WITH ALL PORTS CONNECTED.
4. OPERATING TEMPERATURE: FROM 0°C TO +70°C.
5. LEDs WITH BUILT-IN RESISTOR  
 LEDs ARE DRIVEN WITH 5V VOLTAGE AND THE MAX OPERATING CURRENT IS 20mA.  
 LED COLOR - DOMINANT WAVELENGTH (λD): GREEN 568 nm TYP @ VF=5V  
 FORWARD CURRENT (IF): GREEN 12 mA TYP. @ VF=5V  
 DOMINANT WAVELENGTH (λD): YELLOW 588 nm TYP. @ VF=5V  
 FORWARD CURRENT (IF): YELLOW 13 mA TYP. @ VF=5V
6. INDICATED CONNECTIONS ARE FOR HUB CONFIGURATION. THE MAGNETICS ARE SYMMETRICAL AND SUPPORT AUTO-MDI/MDIX.
7. TRP CONNECTOR LOGO, PART NUMBER, DATE CODE, COUNTRY OF ORIGIN AND AGENCY APPROVAL MARKING IN APPROXIMATE LOCATION SHOWN.
8. THE PART IS RECOMMENDED FOR WAVE SOLDERING PROCESS, PEAK WAVE SOLDERING TEMPERATURE IS 265°C MAX, 10 SECONDS MAX.

GREEN	GREEN	1-6610143-1
LED1	LED2	PART NUMBER

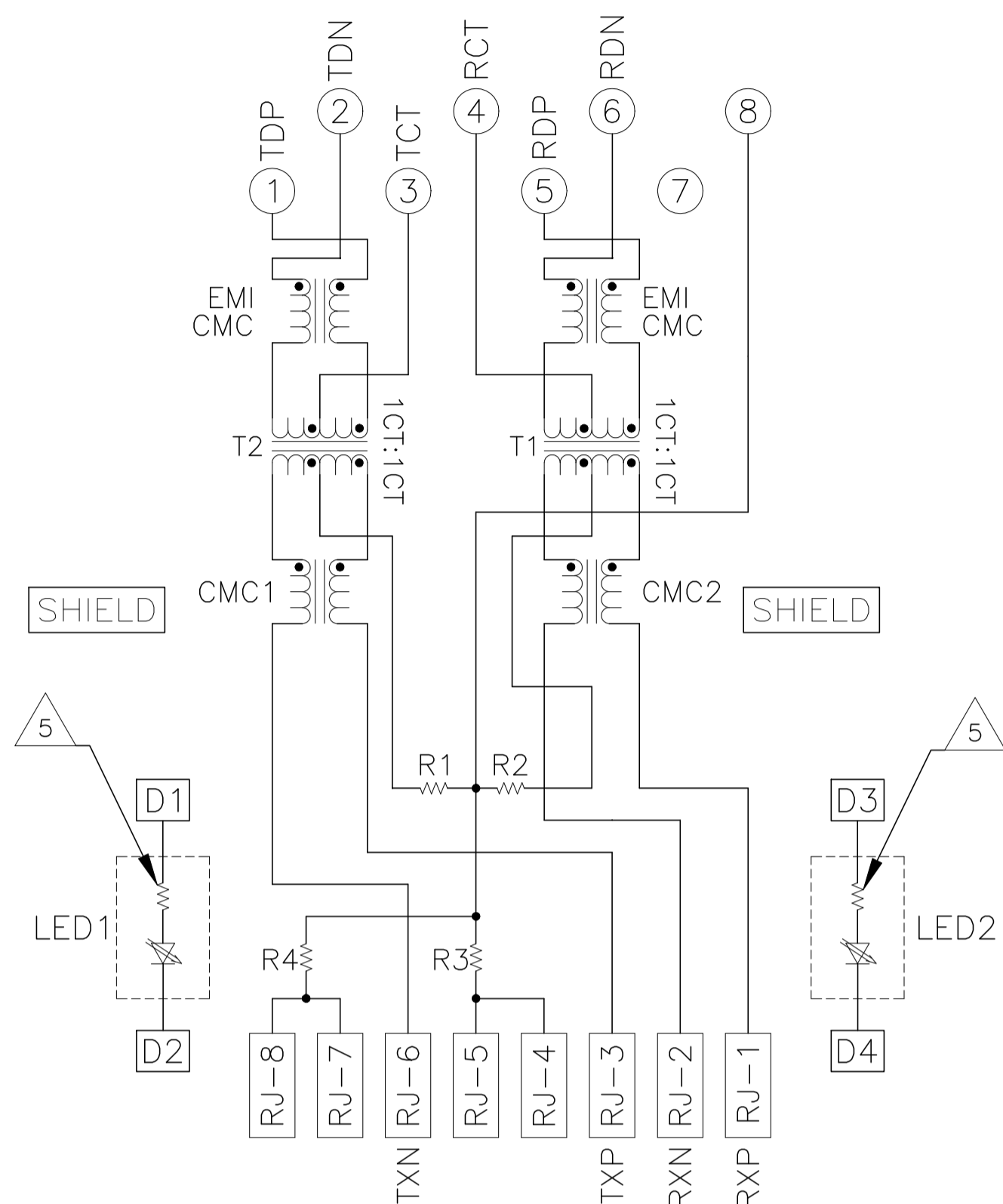
THIS DRAWING IS A CONTROLLED DOCUMENT.		DWN A. FERNANDEZ-DOCKS 18MAR2005		18MAR2005		18MAR2005		18MAR2005		18MAR2005		18MAR2005		18MAR2005		18MAR2005		18MAR2005		18MAR2005	
DIMENSIONS:		TOLERANCES UNLESS OTHERWISE SPECIFIED:		D. FAROLE		D. FAROLE		D. FAROLE		D. FAROLE		D. FAROLE		D. FAROLE		D. FAROLE		D. FAROLE		D. FAROLE	
INCHES:		0 PLC ± -		1 PLC ± -		2 PLC ± .010		3 PLC ± .005		4 PLC ± -		ANGLES ± -		APPLICATION SPEC		MAGJACK GANG		NON-POE		CUSTOMER DRAWING	
PRODUCT SPEC		108-2100		SCALE		NTS		SHEET		1 OF 2		REV		E		DESC		1X4 746K1 10/100 TAB UP W/ LED		RESTRICTED TO	
APVD		D. FAROLE		D. FAROLE		D. FAROLE		D. FAROLE		D. FAROLE		D. FAROLE		D. FAROLE		D. FAROLE		D. FAROLE		D. FAROLE	
MODEL NAME		MAGJACK GANG		NON-POE		NON-POE		NON-POE		NON-POE		NON-POE		NON-POE		NON-POE		NON-POE		NON-POE	
SIZE		A1		CAGE CODE		C-6610143		DRAWING NO		C-6610143		DRAWING NO		C-6610143		DRAWING NO		DRAWING NO		DRAWING NO	



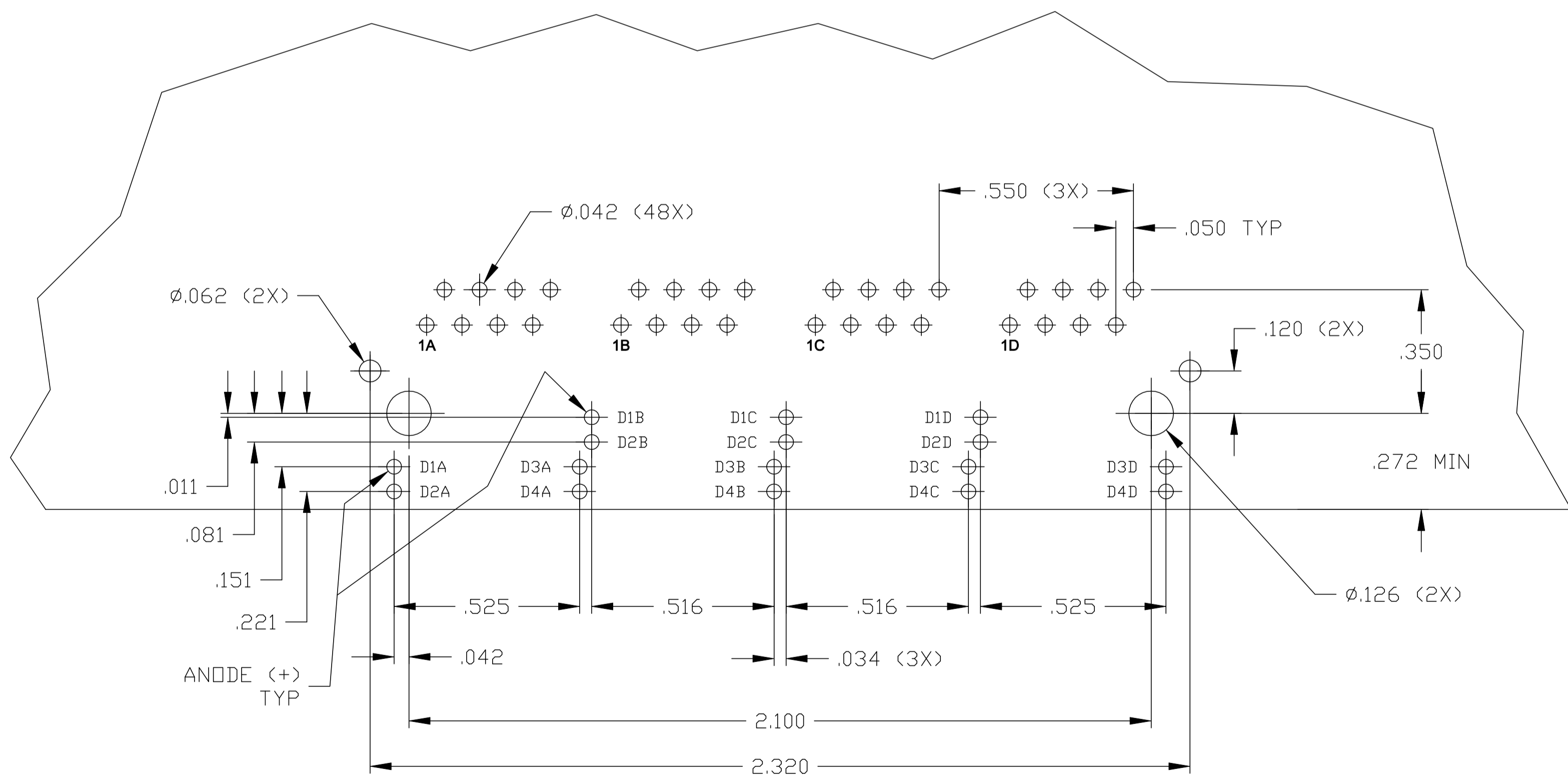
746K1 SERIES MAGNETIC CIRCUIT   
 PORTS 1,3



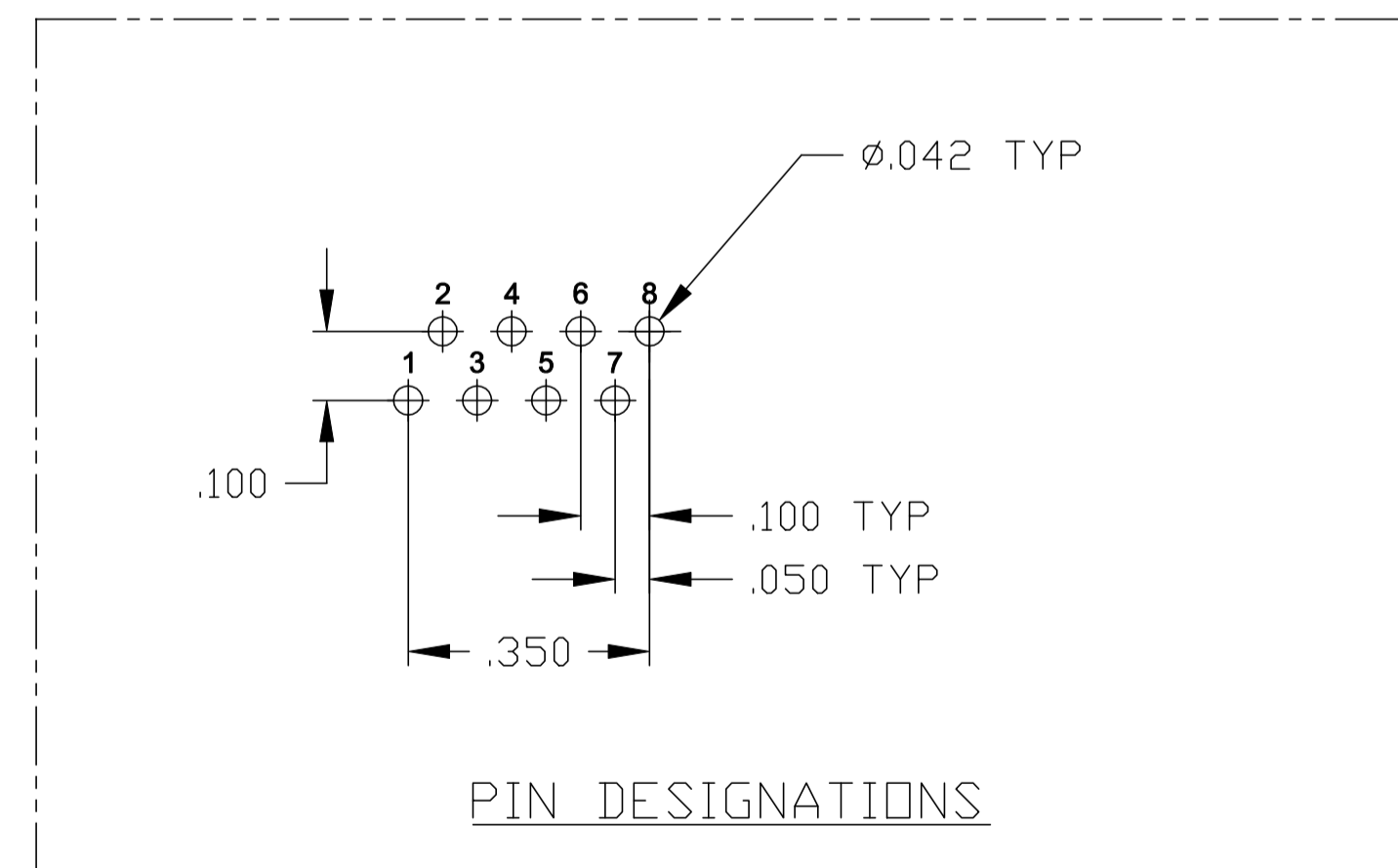
746K1 SERIES MAGNETIC CIRCUIT   
 PORTS 2,4


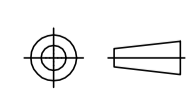


R1-R4 = 75 OHMS, 1/16W, 5% RESISTOR



SUGGESTED PCB LAYOUT  
 (Component Side)



THIS DRAWING IS A CONTROLLED DOCUMENT.		DWN A. FERNANDEZ-DOCKS 18MAR2005 CHK D. FAROLE 18MAR2005 APVD D. FAROLE 18MAR2005		 DONGGUAN CHINA	
DIMENSIONS: INCHES 		TOLERANCES UNLESS OTHERWISE SPECIFIED: 0 PLC ± - 1 PLC ± - 2 PLC ± .010 3 PLC ± .005 4 PLC ± - ANGLES ± - APPLICATION SPEC -		MODEL NAME MAGJACK GANG NON-POE	
PRODUCT SPEC 108-2100		DESC 1X4 746K1 10/100 TAB UP W/ LED		SIZE A1 CAGE CODE DRAWING NO C=6610143 RESTRICTED TO -	
CUSTOMER DRAWING			SCALE NTS		SHEET 2 OF 2
					REV E