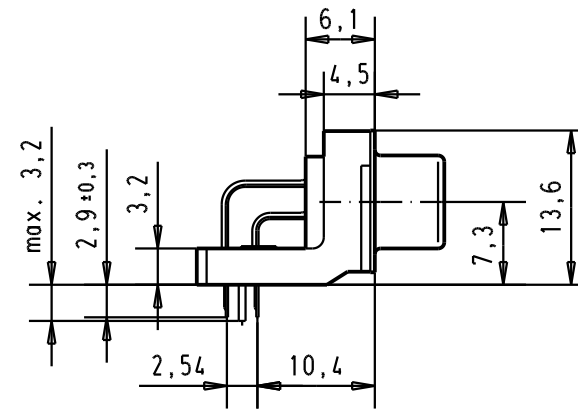
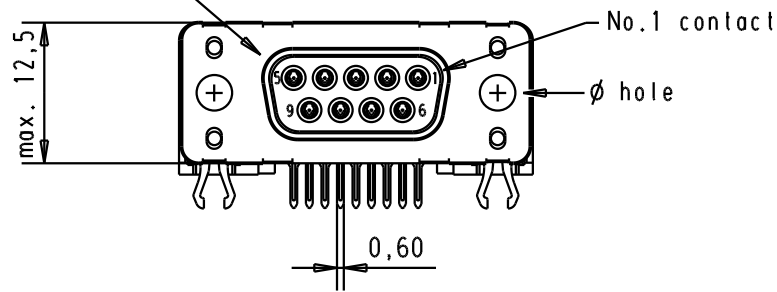
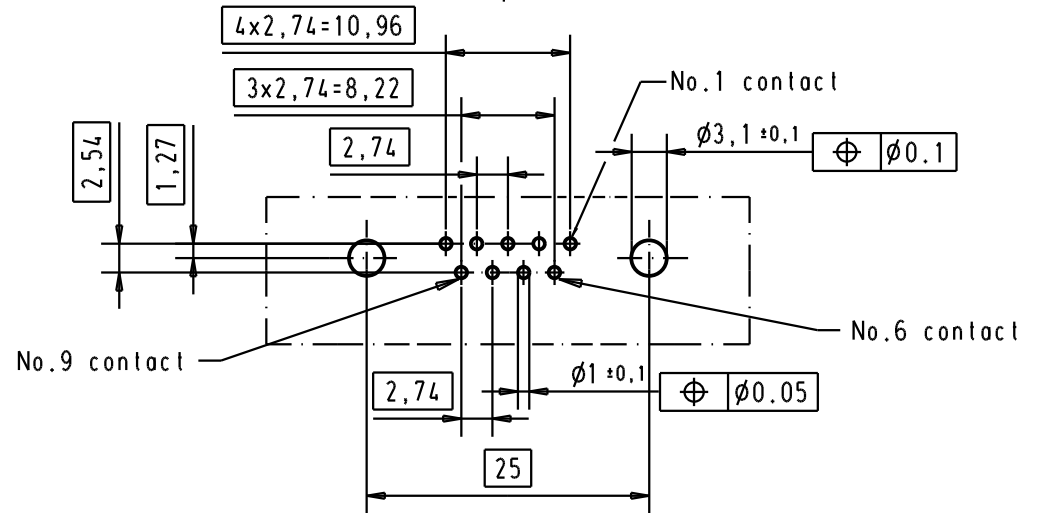
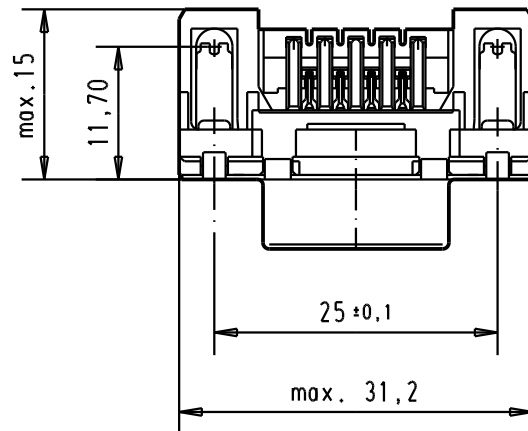


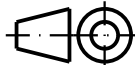
Mating face according to : MIL-C-24308 / DIN 41652 / CECC 75301-802



Printed board layout  
component side



Connector retention and insertion forces on the PCB = 25 / 80 newtons

						Det.	Name	 All Dim. in mm Orig. Size DIN A 4	D-Sub, high temperature, female, standard, 9 poles, with solder pins 2.9, holes and grounding board lock.	Moßstab/ Scale
						05/03/02	CV			1.5:1
						Insp.				
						Stand.				
09 66 156 3610	3,1 ± 0,1	1						<b>TB 0966156x61x</b> Sub.	Blatt/ Page 4	
09 66 156 6610	3,1 ± 0,1	2	31892	05/05/04	JH	HARTING EURL F-95972 Paris				
09 66 156 7610	3,1 ± 0,1	3	29723	05/03/02	CV					
Part number	ϕ hole	Performance level	Mod.	Dat.	Name	