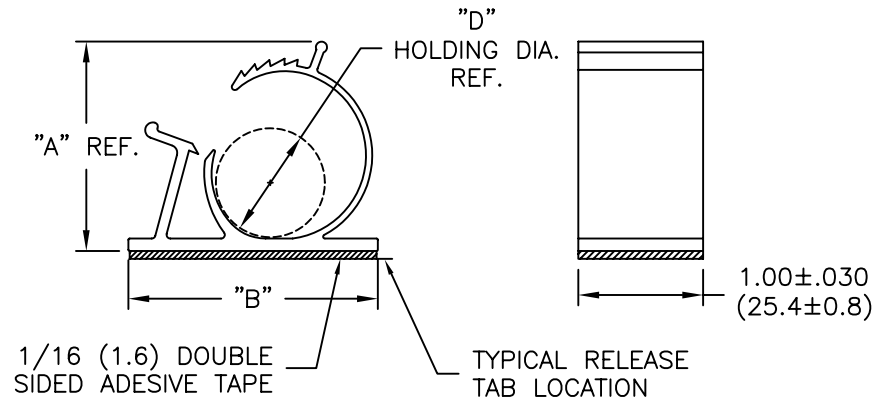


EAKKL-5062
STYLE ONLY

PART NO.	"A" REF.	"B"	"D" HOLDING DIA. REF.
EAKKL-5062-A-RT	1.15 (29.2)	1-1/4 (31.8)	1/2-5/8 (12.7-15.9)
EAKKL-8710-A-RT	1.62 (41.1)	2 (50.8)	7/8-1 (22.2-25.4)
EAKKL-10112-A-RT	2.05 (52.1)	2-1/2 (63.5)	1- 1-1/8 (25.4-28.6)



NOTES:

1. MATERIAL: RIGID PVC (RMS-04).
2. COLOR: GRAY.
3. ACRYLIC ADHESIVE TAPE (RMS-15).
4. CUSTOM LENGTHS AVAILABLE BY SPECIAL ORDER.

TITLE: EXTRUDED ADJUSTABLE KWIK KLIP					DWG IN IN (MM)	
TOLERANCES UNLESS NOTED .XX=±.020 .XXX=±.015 FRAC=±1/32 ANG=±1°		FILE # EAKKL	DWN: R.S.	APP: B.R.	FINAL	
MAT'L: SEE NOTES		RE: RICHCO, INC.	DT: 04-15-94	DT: 09/23/02	PART # SEE TABLE	PRINT TYPE CA
B UPDATED NOTES; ADDED TOL. ±.030 (±0.8) (ECN #470)	SM 09.23.02	RICHCO INC. PO BOX 804238, CHICAGO, 60680 (773) 539-4060				
A ADDED -A-RT FOR TAPE	DLC 12.14.01					
REV DESCRIPTION	ENGR DATE					