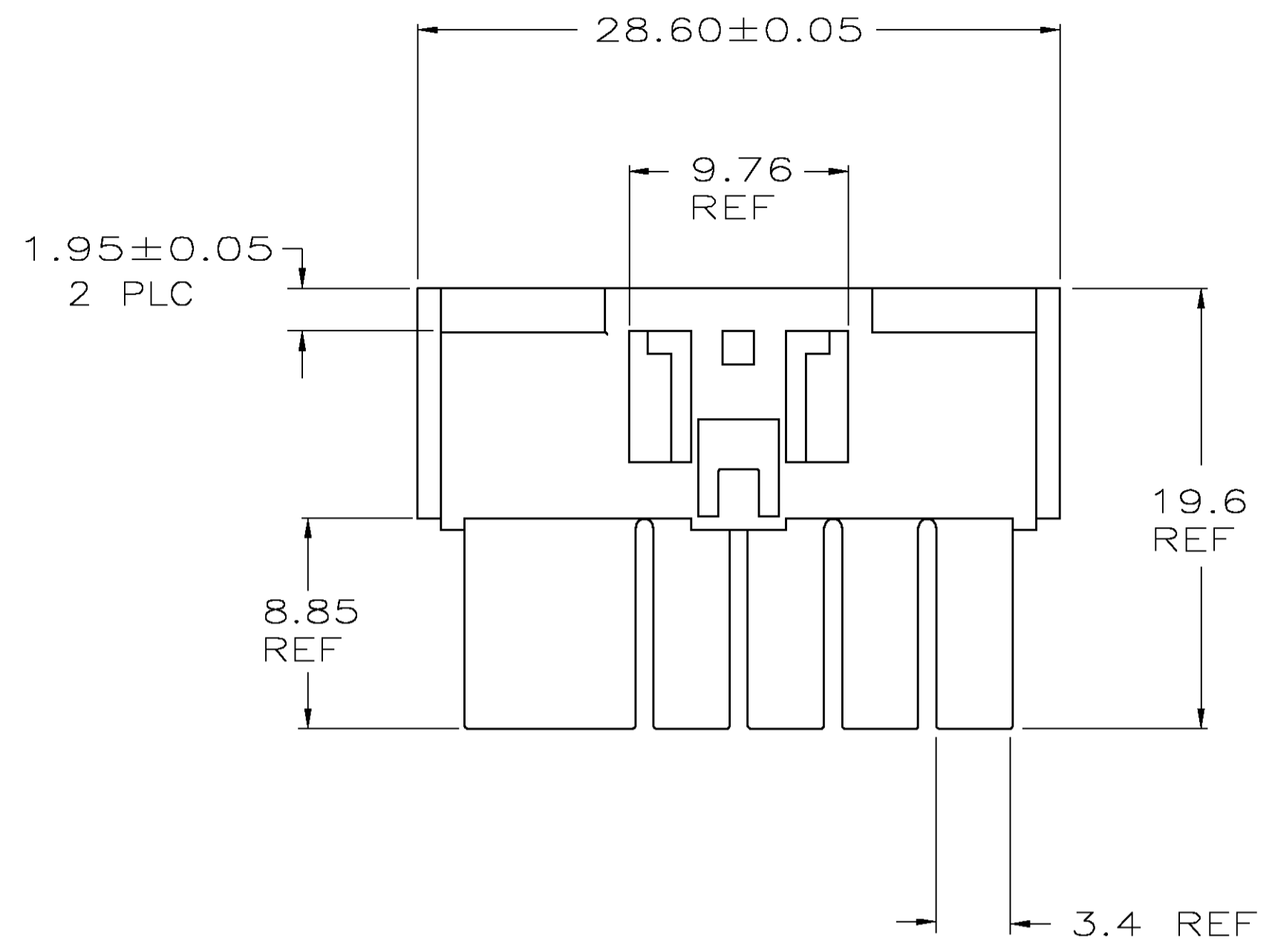
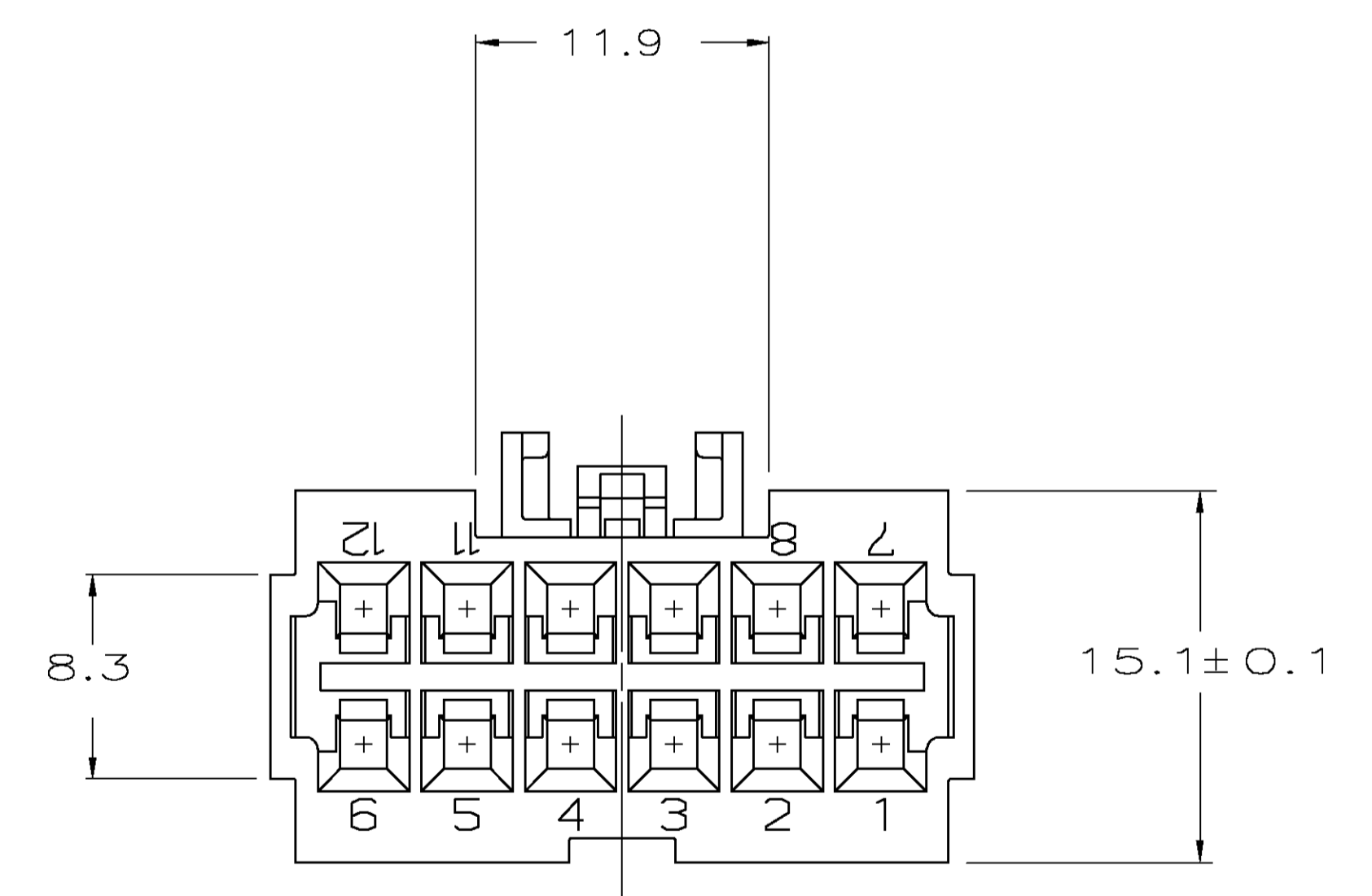
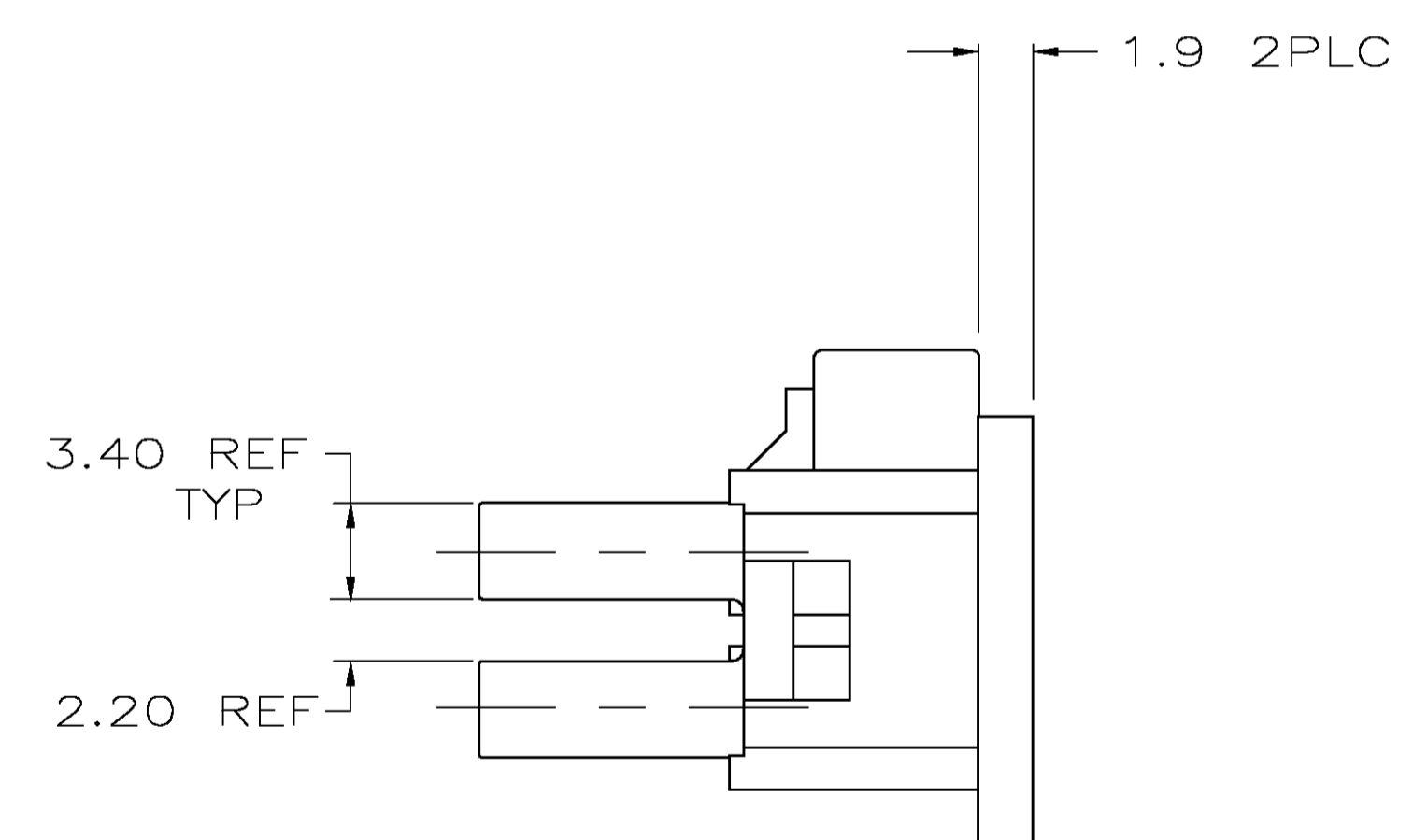
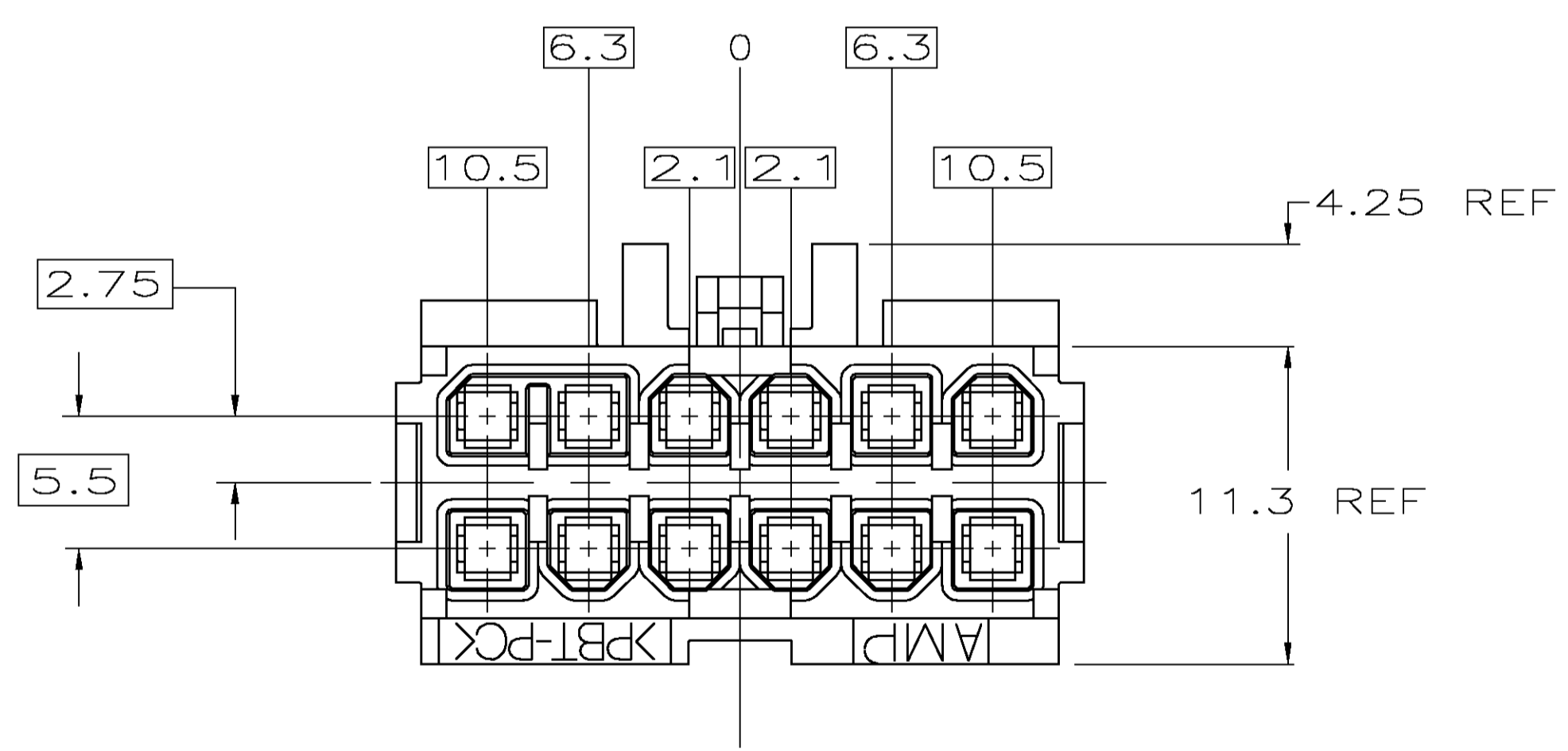


LOC		DIST		REVISIONS			
P	LTR	DESCRIPTION	DATE	DNW	APVD		
E		REVISED REDRAWN, PER EC 0512-0202-04	17 AUG 04	AWF	AWF		



1. FOR USE WITH AMP-DUAC™ SOCKET CONTACTS (EX: 794138-2, 794139-2, 794140-2, 794416-1, 794417-1, 794418-1). TERMINAL MUST BE INSERTED INTO RECEPTACLE HOUSING SO THAT THE TOP OF THE WIRE AND INSULATION CRIMPS FACE THE INTERIOR OF THE HOUSING.
2. FOR SECONDARY LOCKING OF SOCKET CONTACTS, USE POSITION LOCK 794145-6 (1 REQUIRED).
3. RECEPTACLE HOUSING AND POSITION LOCK AVAILABLE AS BULK KIT, P/N 794322-1.
4. MATES WITH AMP-DUAC/PL™ 12 CIRCUIT HEADERS, RIGHT ANGLE (EX: 794176-2).
5. REQUIRES LATCH ASSEMBLY 794150-1 (STANDARD) OR 794149-1 (EXTENDED).
6. KEYING PLUG: 794144-1.



794156-1
PART NUMBER

THIS DRAWING IS A CONTROLLED DOCUMENT.		DNW AL FRANTUM 17 AUG 04		Tyco Electronics Corporation Harrisburg, Pa 17105-3608	
DIMENSIONS: mm		CHK AL FRANTUM 17 AUG 04		NAME	HOUSING, RECEPTACLE 12 CIRCUIT AMP-DUAC/PL POWER CONNECTOR
TOLERANCES UNLESS OTHERWISE SPECIFIED:		APVD	PRODUCT SPEC	RESTRICTED TO	
0 PLC ± -			108-1646	SIZE	
1 PLC ± 0.2			APPLICATION SPEC	CAGE CODE	
2 PLC ± 0.13			114-6067	DRAWING NO	
3 PLC ± -				794156	
4 PLC ± -				WEIGHT	
ANGLES ± -				CUSTOMER DRAWING	
FINISH				SCALE 4:1 SHEET 1 OF 1 REV E	

METRIC