


Table of Contents


| | |
|---|------------------------------|
| 2 | Notes |
| 3 | Schematic - Tower Connectors |
| 4 | Schematic - CAN |
| 5 | Schematic - LEDs |
| 6 | Schematic - RS232 |
| 7 | Schematic - RS232/485 |
| 8 | Schematic - USB2SER |
| 9 | Schematic - Analog |

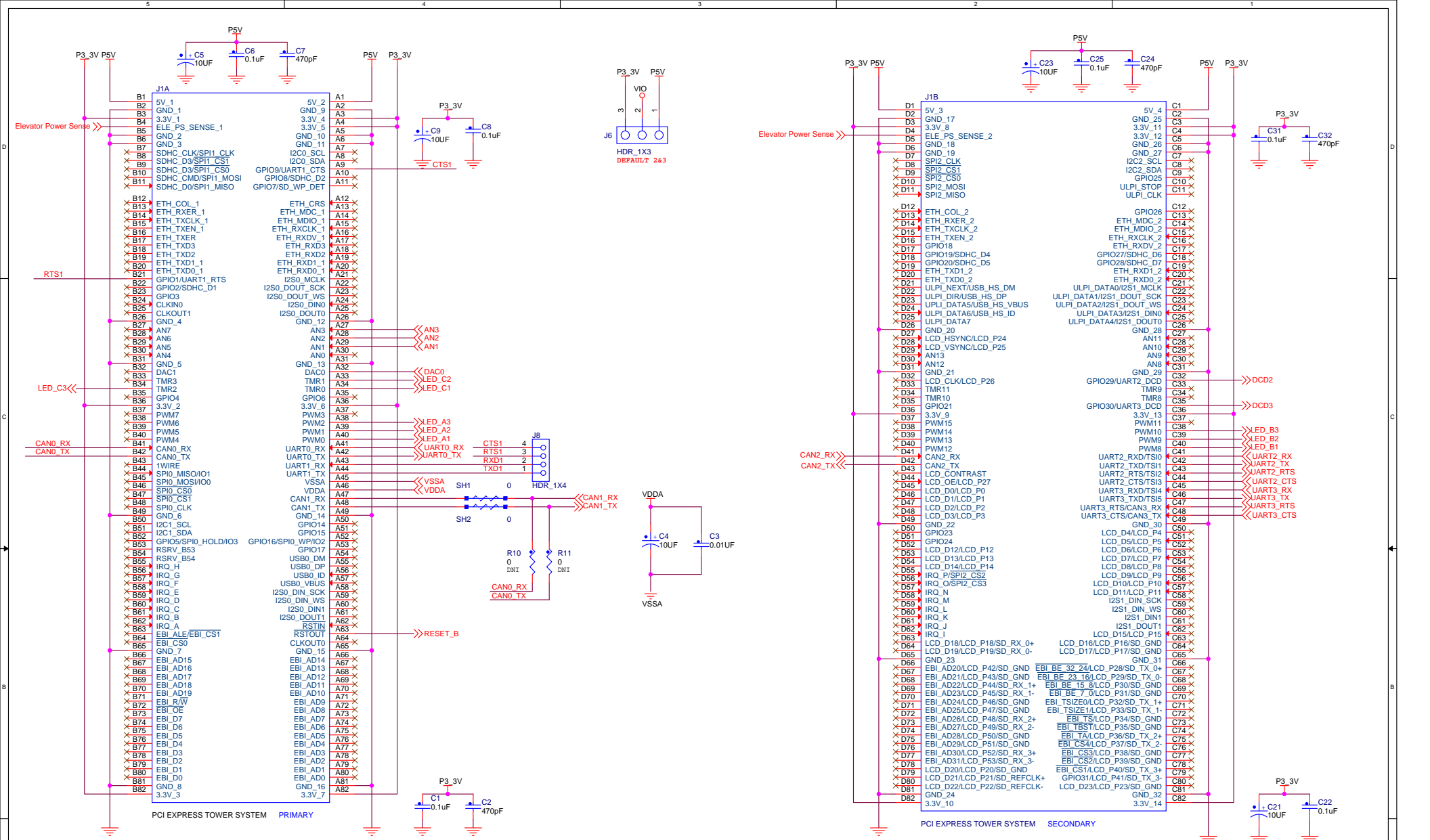
Revisions

| Rev | Description | Date | Approved |
|-----|-------------|-----------|----------|
| B | Production | 2/11/2012 | DESIGNER |

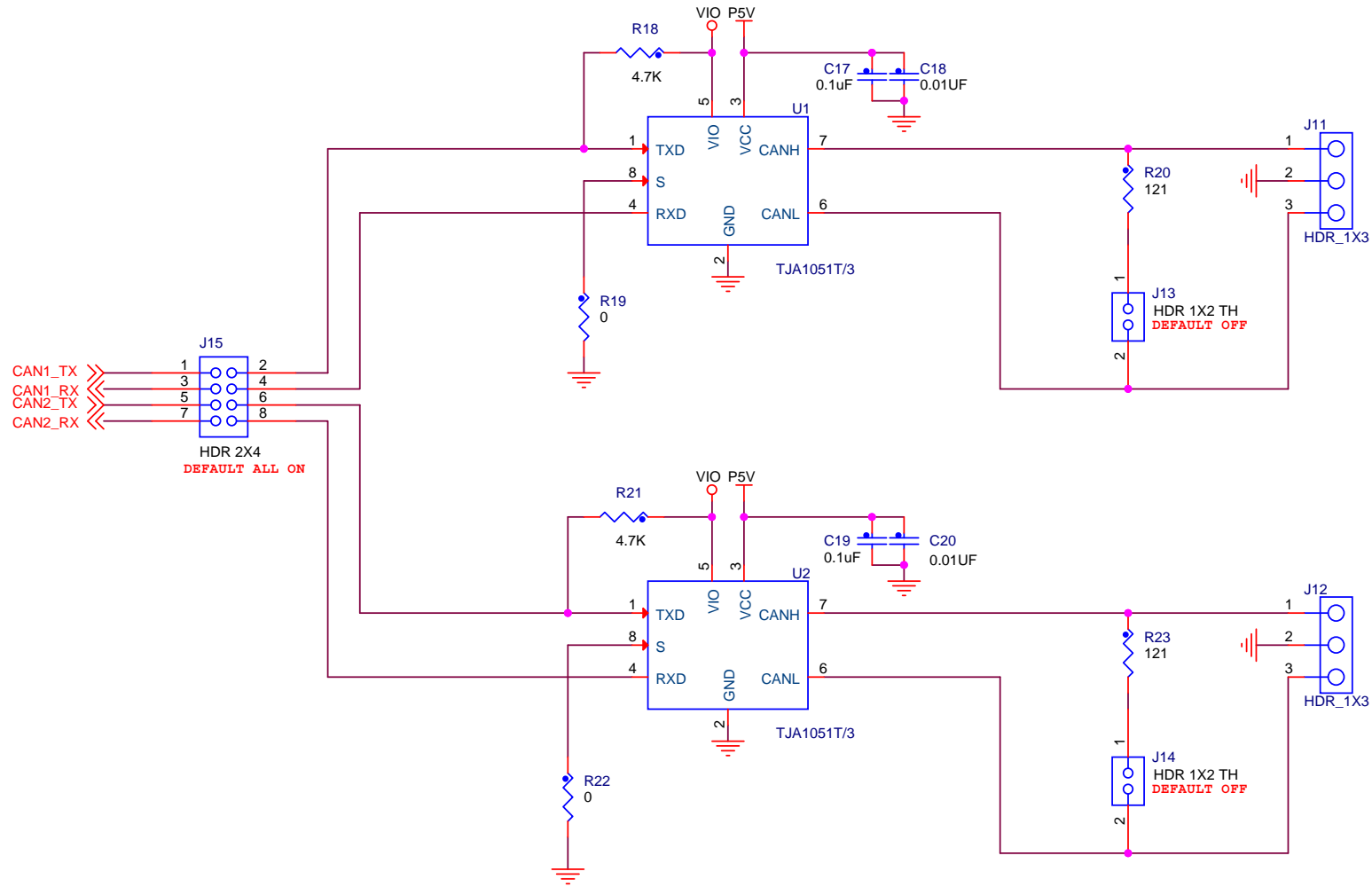
| | | | |
|--|-------------------------------------|---|------------------|
|  | | Microcontroller Solutions Group | |
| | | 6501 William Cannon Drive West Austin, TX 78735-8588 | |
| <small>This document contains information proprietary to Freescale Semiconductor and shall not be used for engineering design, procurement or manufacture in whole or in part without the express written permission of Freescale Semiconductor.</small> | | | |
| | | ICAP Classification: | FCP: FLQ: X PUB: |
| Designer: DESIGNER | Drawing Title: TWR-IND-IO | | |
| Drawn by: DRAWN_BY | Page Title: TITLE PAGE | | |
| Approved: APPROVER | Size C | Document Number SCH-27304 PDF: SPF-27304 | Rev B |
| Date: Thursday, February 23, 2012 | | Sheet 1 | of 9 |

1. Unless Otherwise Specified:
 - All resistors are in ohms, 5%, 1/16 Watt, Size 0402
 - All ceramic capacitors are in uF, 20%, 50V, Size 0402
 - All voltages are DC
 - All polarized capacitors are Tantalum
2. Interrupted lines coded with the same letter or letter combinations are electrically connected.
3. Device type number is for reference only. The number varies with the manufacturer.
4. Special signal usage:
 - _B Denotes - Active-Low Signal
 - <> or [] Denotes - Vectored Signals
5. Interpret diagram in accordance with American National Standards Institute specifications, current revision, with the exception of logic block symbology.

| | | |
|---|---|----------|
|  | | |
| ICAP Classification: FCP: _____ FIUC: X PUBL: _____ | | |
| Drawing Title: TWR-IND-IO | | |
| Page Title: NOTES | | |
| Size C | Document Number SCH-27304 PDF: SPF-27304 | Rev B |
| Date: Monday, February 06, 2012 | Sheet 2 | of 9 |



| | |
|---|--|
| | |
| ICAP Classification: FCP: _____ FIUC: X PUBI: _____ | |
| Drawing Title: TWR-IND-IO | |
| Page Title: Schematic - Tower Connectors | |
| Size Custom | Document Number SCH-27304 PDF: SPF-27304 |
| Date: Monday, February 06, 2012 | Sheet 3 of 9 |



freescale™
semiconductor

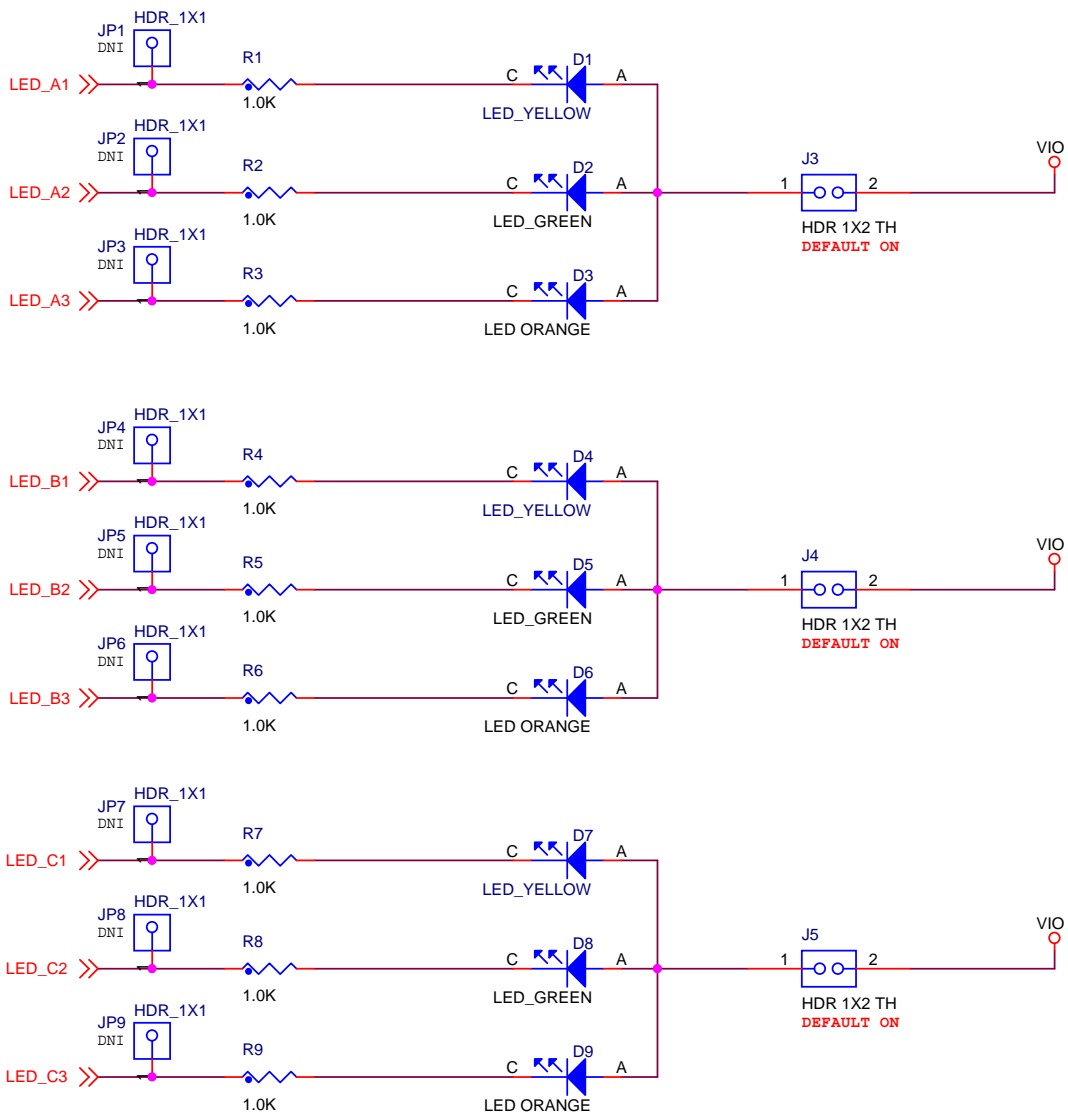
ICAP Classification: FCP: _____ FIUO: X PUBI: _____

Drawing Title: **TWR-IND-IO**

Page Title: **Schematic - CAN**

| | | |
|------------|---|----------|
| Size A4 | Document Number SCH-27304 PDF: SPF-27304 | Rev B |
|------------|---|----------|

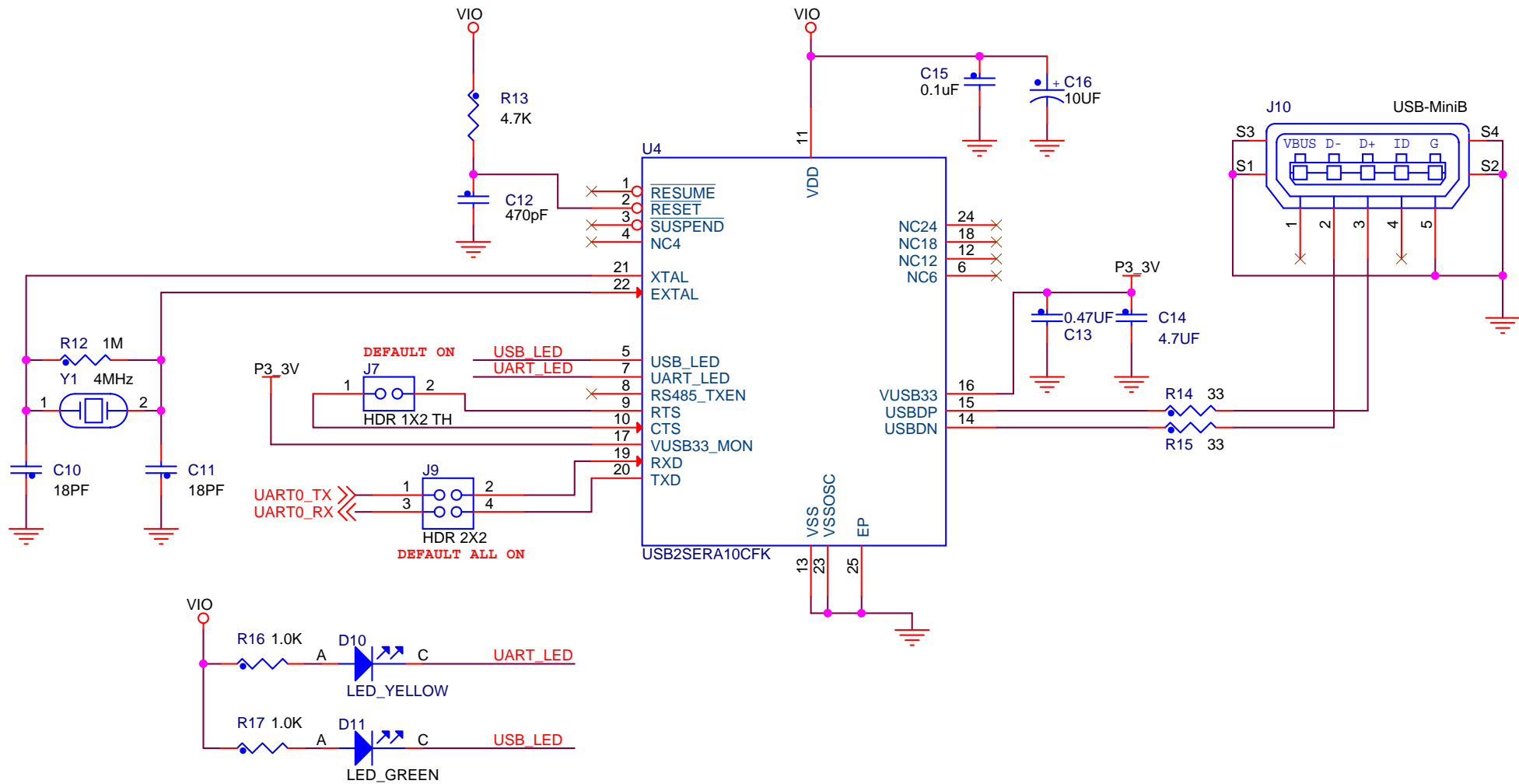
Date: Monday, February 06, 2012 Sheet 4 of 9



freescale™
semiconductor

ICAP Classification: FCP: _____ FIUO: X PUBI: _____
 Drawing Title: **TWR-IND-IO**
 Page Title: **Schematic - LEDs**

| | | |
|------------------------------------|---|----------|
| Size A4 | Document Number SCH-27304 PDF: SPF-27304 | Rev B |
| Date: Monday, February 06, 2012 | Sheet 5 | of 8 |



ICAP Classification: FCP: ___ FIUO: X PUBL: ___

Drawing Title:

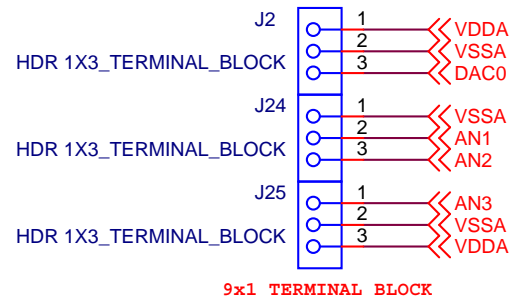
TWR-IND-IO

Page Title:

Schematic - USB2SER

| | | |
|--------|---|-------|
| Size A | Document Number SCH-27304 PDF: SPF-27304 | Rev B |
|--------|---|-------|

Date: Thursday, February 09, 2012 Sheet 8 of 9



ICAP Classification: FCP: ___ FIUO: X PUBL: ___

Drawing Title:

TWR-IND-IO

Page Title:

Schematic - Analog

| | | |
|-----------|---|----------|
| Size A | Document Number SCH-27304 PDF: SPF-27304 | Rev B |
|-----------|---|----------|

Date: Monday, February 06, 2012 Sheet 9 of 9