

MODEL:

SR25UBTAA

SmartRack® TAA-Compliant Rack Enclosure



25 Rack Units



3000 lb
Stationary
Load Capacity



2250 lb
Rolling
Load Capacity



Rolling
Casters



Locking Doors &
Side Panels



Standard
19-inch
Rack Width



Toolless
Mounting Slots



Adjustable
Rails with
Easy-View
Depth Index



Airflow
Exceeds
Server OEM
Requirements



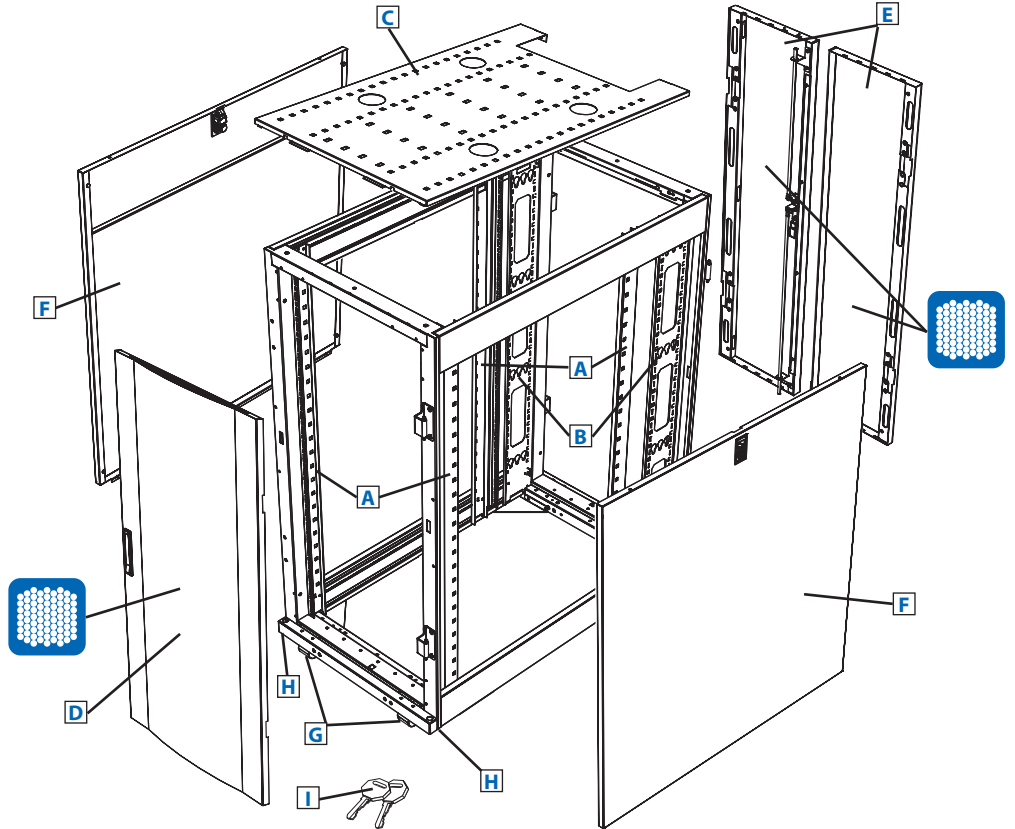
Integrated
Bypass Tabs



Square Hole
Mounting

- A** Adjustable Mounting Rails (4)
- B** Adjustable PDU Mounting Rails with Toolless Mounting Slots (2 rails hold up to 4 vertical PDUs.)
- C** Roof Panel (Removable)
- D** Front Door (Lockable/Removable/Reversible)
- E** Split Rear Doors (2) (Lockable/Removable)
- F** Side Panels (2) (Lockable/Removable)
- G** Rolling Casters (4)
- H** Levelers (4)
- I** Keys (For doors and side panels.)

Also Includes: Owner's manual, 2 shipping/stabilizing brackets and rackmount equipment mounting hardware (50 cage nuts, 50 mounting screws, 50 nylon cup washers).



- Enclosures ship fully assembled for rapid deployment, but can be knocked down for easy reassembly in confined spaces
- Modular design optimized for quick configuration and reconfiguration
- Ideal for rackmount server, network and telecom applications

SEE NEXT PAGE FOR DETAILED UNIT MEASUREMENTS



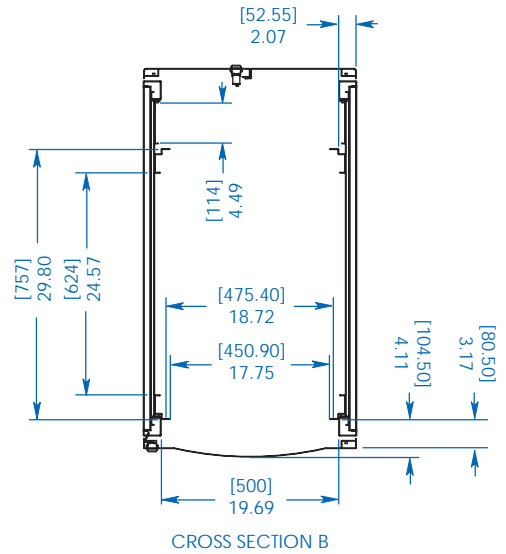
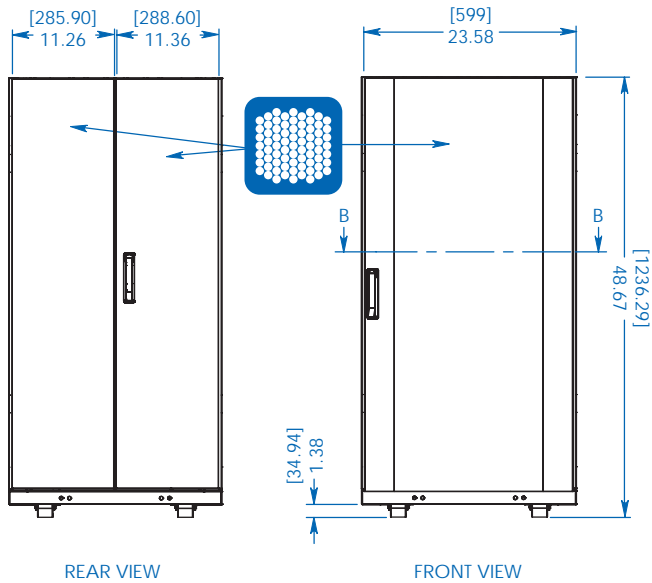
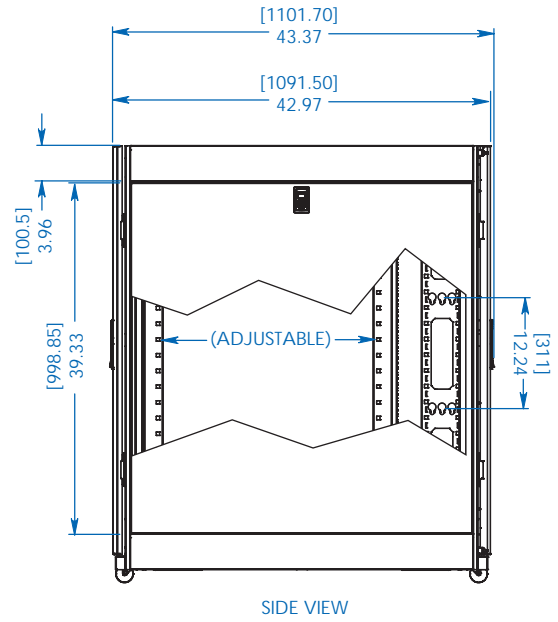
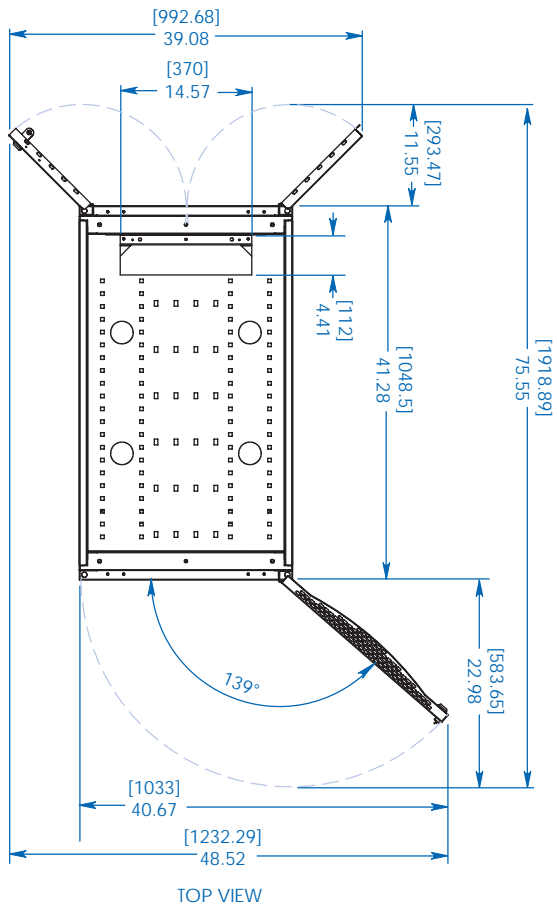
Specifications

Model	SR25UBTAA
Rack Spaces	25U
Stationary Load Capacity	3000 lb (1361 kg)
Rolling Load Capacity	2250 lb (1021 kg)
Unit Dimensions (H x W x D)	49 x 23.63 x 43 in (1245 x 600 x 1092 mm)
Shipping Dimensions (H x W x D)	55 x 26 x 45 in (1397 x 660 x 1143 mm)
Unit Weight	195 lb (88.5 kg)
Shipping Weight	237 lb (107.5 kg)
Certifications	Tested to UL/EN 60950-1, CSA (Canada), NOM (Mexico), EIA/ECA-310-E, IEC 60297-3-100, DIN 41494, IP20, RoHS, PCI-DSS, TAA

Tripp Lite has a policy of continuous improvement. Specifications are subject to change without notice.



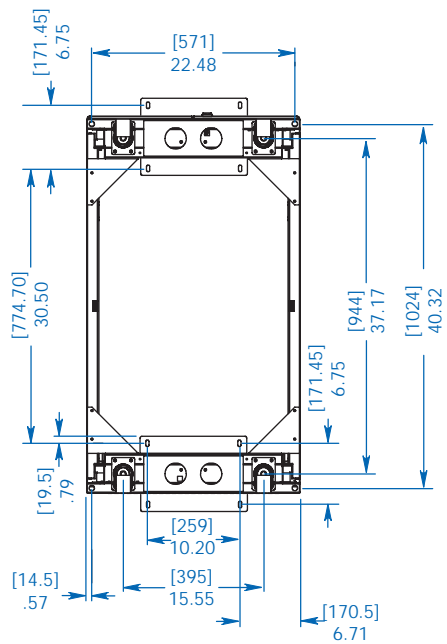
1111 W. 35th Street
Chicago, IL 60609 USA
773.869.1234
www.tripplite.com



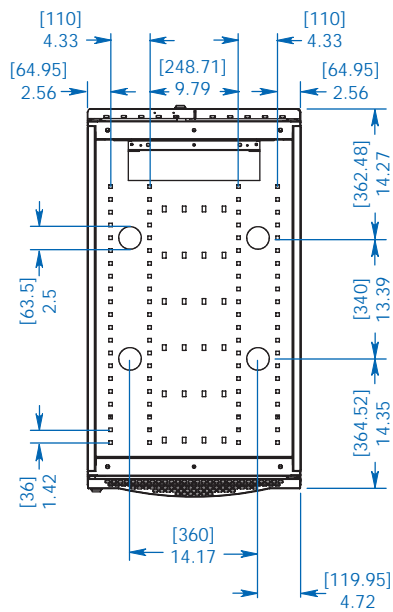
Dimensions: [mm] INCHES

Tripp Lite has a policy of continuous improvement. Specifications are subject to change without notice.

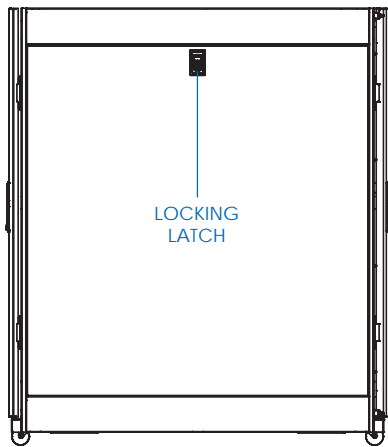
MODEL:
SR25UBTAA
TRIPP-LITE



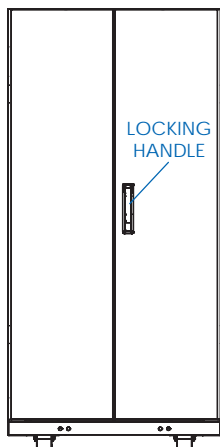
BOTTOM VIEW



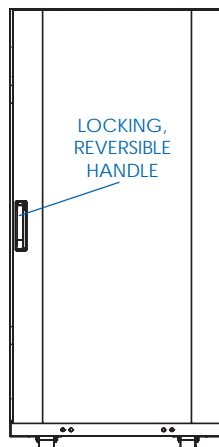
TOP VIEW



SIDE VIEW



REAR VIEW



FRONT VIEW

Dimensions: [mm] INCHES

Tripp Lite has a policy of continuous improvement. Specifications are subject to change without notice.

MODEL:
SR25UBTAA



1111 W. 35th Street
Chicago, IL 60609 USA
773.869.1234

www.tripplite.com