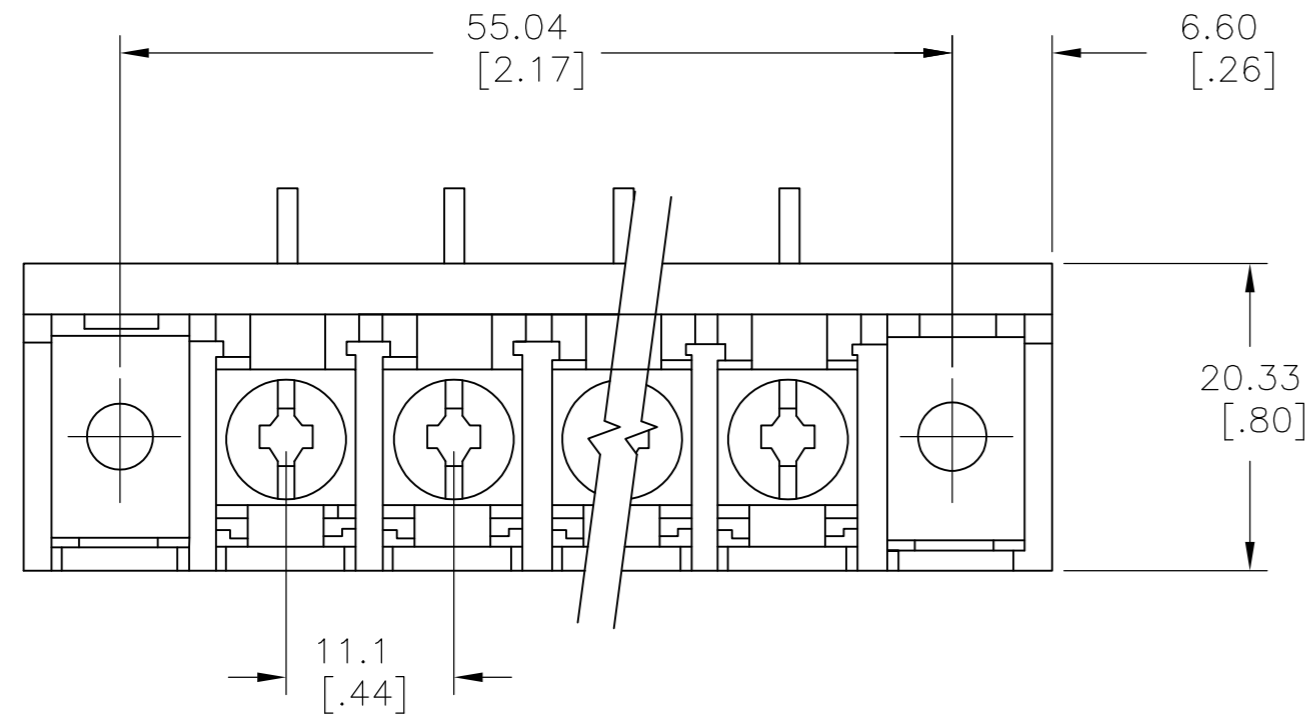
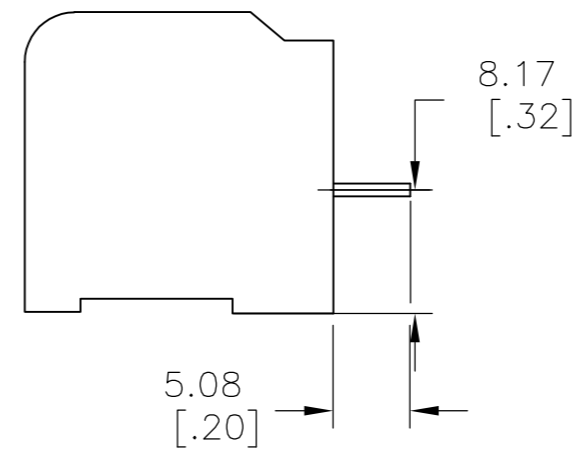
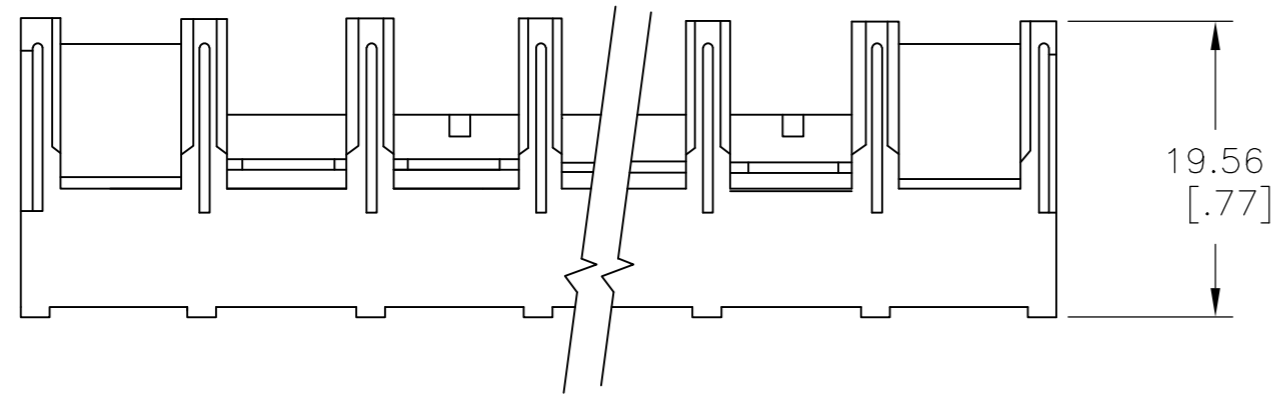


THIS DRAWING IS UNPUBLISHED. RELEASED FOR PUBLICATION
 © COPYRIGHT - By - ALL RIGHTS RESERVED.

LOC		DIST		REVISIONS			
P	LTR	DESCRIPTION		DATE	DWN	APVD	
	A2	REVISED PER ECO-11-020526		12OCT11	KH	MS	



1 ALL SCREWS TO BE BOTTOMED; TORQUED TO 2 TO 4 INCH LBS



3.573	6	8PCR-06-008	3-1437657-9
2.698	4	8PCR-04-008	3-1437657-2
1.823	2	8PCR-02-008	796875-2
DIM A REF	NO OF POS	CATALOG NUMBER	TE PART NO

THIS DRAWING IS A CONTROLLED DOCUMENT.		DWN RAGHAVENDRA 04SEP2008	TE TE Connectivity	
DIMENSIONS: mm [INCHES]		CHK SAM MACE 04SEP2008		
TOLERANCES UNLESS OTHERWISE SPECIFIED:		APVD SAM MACE 04SEP2008	NAME 8PCR-XX-008=8 TRIBARRIER-BL	
0 PLC ± -		PRODUCT SPEC -	SIZE A2	CAGE CODE 00779
1 PLC ± -		APPLICATION SPEC -	DRAWING NO C=3-1437657-2	RESTRICTED TO -
2 PLC ± -		WEIGHT -	SCALE 2:1	SHEET 1 of 1
3 PLC ± 0.13[.005]		CUSTOMER DRAWING	REV A2	
4 PLC ± -				
ANGLES ± 1°				
FINISH -				

3-1437657-2