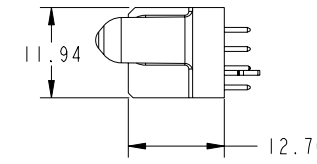
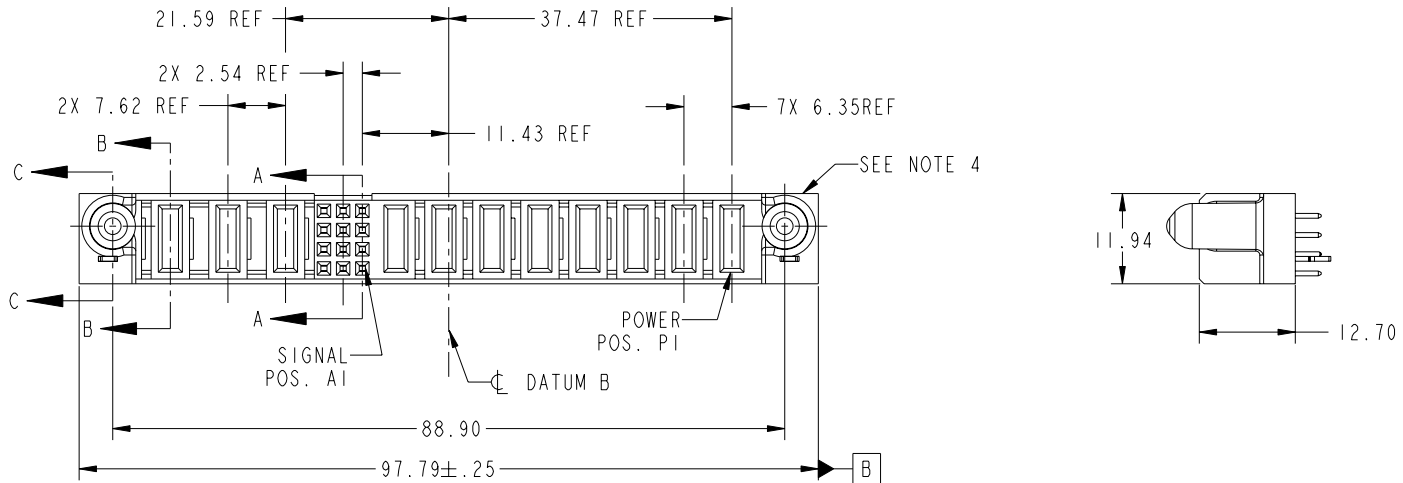


Tous droits strictement réservés. Reproduction ou communication o des tiers interdite sous quelque forme que ce soit sans autorisation écrite du propriétaire. Propriete de c FCI. Droits de reproduction FCI.



All rights strictly reserved. Reproduction or issue to third parties in any form whatever is not permitted without written authority from the proprietor. Property of FCI. Copyright FCI.

PRODUCT NO.	ROWS	POWER				SIGNAL			POWER							E1
		E2	P11	P10	P9	3	2	1	P8	P7	P6	P5	P4	P3	P2	
51940-214-- NOTE: 3	D C B A															



CODE	DIM "M" MATING LENGTH	CONTACT TYPE
E	[N/A]	SIGNAL
PA	[1.07]	POWER
PD	[2.34]	POWER
HA	[N/A]	HOLD-DOWN

mat'l code				tolerances unless otherwise specified			CUSTOMER			
ltr	ecr no.	dr	date	linear	0.X ± 0.3		COPY		www.fciconnect.com	
A	DG07-0062	JMG	02/14/07		0.XX ± 0.13		projection		title	
					0.XXX ± 0.051				8P + 12S + 3ACP VERTICAL SOLDER RECEPT	
				angles	0° ± 2°		MM		product family PwrBlade code	
				dr	JM GUO	02/14/07	scale		size	
				engr	RYAN YUAN	02/14/07	1:1		dwg no	
				chr	BEER FU	02/14/07			A 51940-214	
				appd	JOSEPH HSIA	02/14/07			sheet	
sheet index		revision	A	A	A	A			1 of 4	
		sheet	1	2	3	4			cage code	
									22526	

1 | 2

Pro/E

3 |

cage code 22526

4

PDM: Rev:A

STATUS: Released

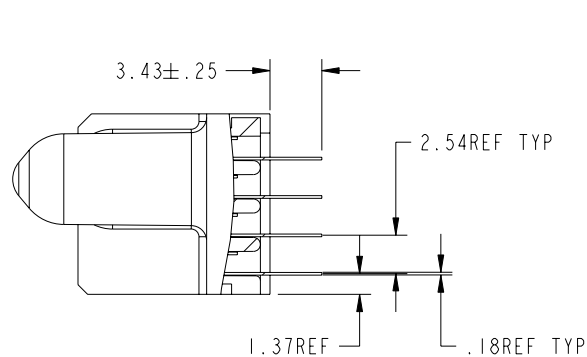
Printed: Dec 20, 2010

Tous droits strictement réservés. Reproduction ou communication o des tiers interdite sous quelque forme que ce soit sans autorisation écrite du propriétaire. Propriete de c FCI. Droits de reproduction FCI.

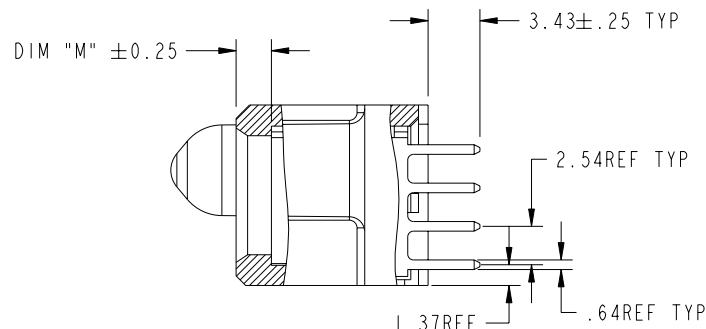
All rights strictly reserved. Reproduction or issue to third parties in any form whatever is not permitted without written authority from the proprietor. Property of FCI. Copyright FCI.



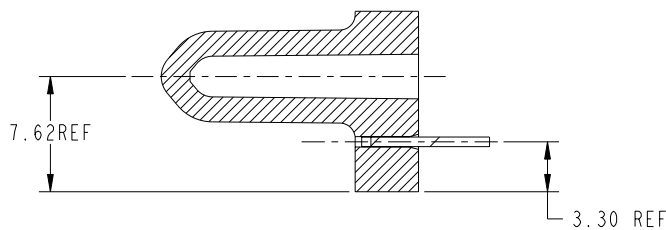
PRODUCT NUMBER
51940-214__
NOTE: 3



SECTION A-A
SCALE 2:1



SECTION B-B
SCALE 2:1



SECTION C-C
SCALE 2:1

mat'l code		SEE NOTE 2		tolerances unless otherwise specified		CUSTOMER		FCI www.fciconnect.com	
ltr	ecn no.	dr	date	linear	0.X ± 0.3	COPY		title	
A					0.XX ± 0.13	projection		8P + 12S + 3ACP	
				angles	0.XXX ± 0.051	MM		VERTICAL SOLDER RECEPT	
				dr	JM GUO 02/14/07	scale		product family	
				enr	RYAN YUAN 02/14/07	1:1		PwrBlade	
				chr	BEER FU 02/14/07			code	
				appd	JOSEPH HSIA 02/14/07			213	
sheet index	revision sheet							size	
								dwg no	
								A 51940-214	
								sheet	
								2 of 4	

Pro/E

cage code 22526

PDM: Rev:A

STATUS: Released

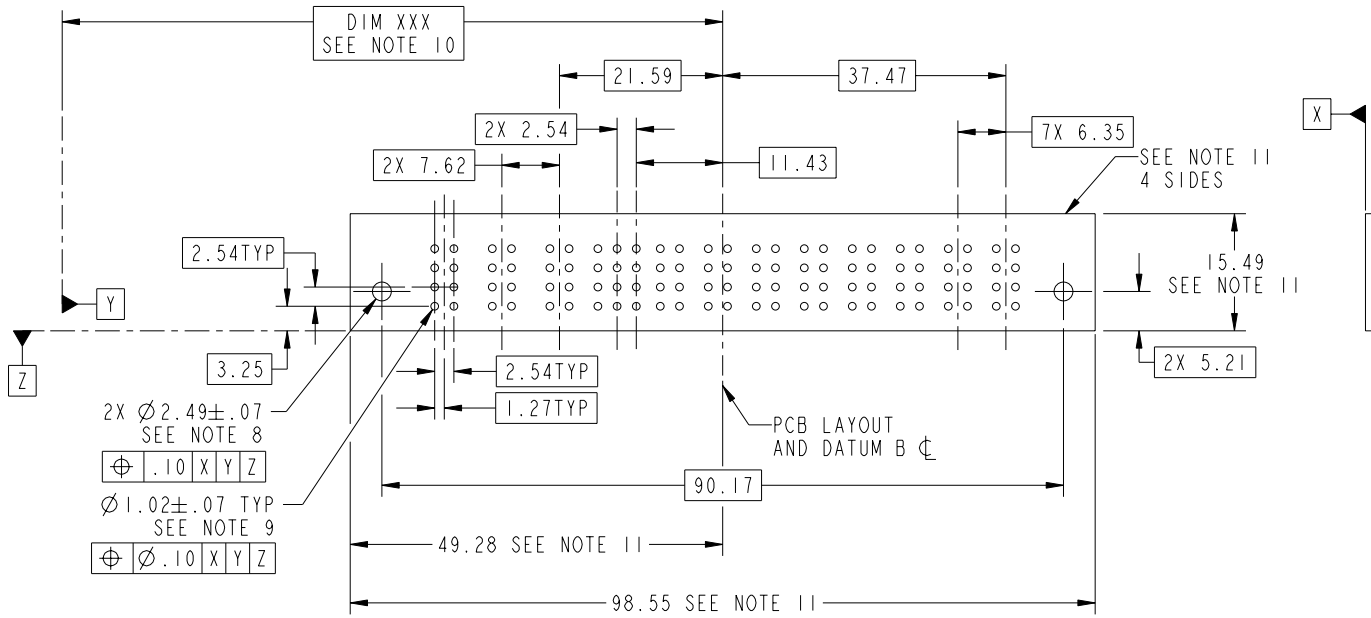
Printed: Dec 20, 2010

Tous droits strictement réservés. Reproduction ou communication o des tiers interdite sous quelque forme que ce soit sans autorisation écrite du propriétaire. Propriete de c FCI. Droits de reproduction FCI.



All rights strictly reserved. Reproduction or issue to third parties in any form whatever is not permitted without written authority from the proprietor. Property of FCI. Copyright FCI.

PRODUCT NUMBER
51940-214__
NOTE: 3



mat'l code				SEE NOTE 2		tolerances unless otherwise specified		CUSTOMER		FCI www.fciconnect.com	
ltr	ecr no.	dr	date	linear	0.X ± 0.3		COPY		title 8P + 12S + 3ACP VERTICAL SOLDER RECEPT		
A					0.XX ± 0.13		projection				
					angles	0.XXX ± 0.051					
				0° ± 2°							
				dr	JM GUO	02/14/07	MM		product family PwrBlade		code
				enr	RYAN YUAN	02/14/07	← MM →		size	dwg no	213
				chr	BEER FU	02/14/07	scale		A	51940-214	sheet
				appd	JOSEPH HSIA	02/14/07	1:1				3 of 4
sheet index	revision sheet										

cage code 22526

Pro/E

PDM: Rev:A

STATUS: Released

Printed: Dec 20, 2010

Tous droits strictement reserves. Reproduction ou communication o des tiers interdite sous quelque forme que ce soit sans autorisation ecrite du proprietaire. Propriete de c FCI. Droits de reproduction FCI.



All rights strictly reserved. Reproduction or issue to third parties in any form whatever is not permitted without written authority from the proprietor. Property of FCI. Copyright FCI.

PRODUCT NUMBER
51940-214__
NOTE: 3

NOTES:

1. DIMENSIONS AND TOLERANCES ARE IN ACCORDANCE WITH ASME Y14.5M, 1994 UNLESS OTHERWISE SPECIFIED.

CONNECTOR NOTES:

- 2 HOUSING MATERIAL: UL 94 V-0 GLASS FILLED
HIGH-TEMP THERMOPLASTIC
POWER CONTACT MATERIAL: COPPER ALLOY
SIGNAL PIN MATERIAL: COPPER ALLOY
- 3. 51940-214;51940-214LF PLATING SPEC. SEE PRINT:10064183
- 4 MANUFACTURER'S NAME, P/N, AND DATE CODE TO APPEAR ON THIS SURFACE.
- 5. PRODUCT SPECIFICATION GS-12-149.
APPLICATION SPECIFICATION BUS-20-067.
- 6. PACKAGED IN TRAYS.

PCB NOTES:

- 7. ALL HOLE DIAMETERS ARE FINISHED HOLE SIZE.
- 8 MOUNTING HOLES, WHERE APPLICABLE, ARE UNPLATED.
- 9 $\varnothing .0453 \pm .0010$ [1.151 \pm 0.025] DRILLED HOLES PLATED WITH .0003 [0.008] MIN SnPb OVER .001 [0.03] TO .003 [0.08] Cu PLATING TO ACHIEVE $\varnothing .040 \pm .003$ [1.02 \pm .07] HOLE.
- 10 "DIM XXX" TO BE DETERMINED BY THE CUSTOMER.
- 11 CONNECTOR KEEP-OUT ZONE.

mat'l code				SEE NOTE 2		tolerances unless otherwise specified		CUSTOMER		FCI www.fciconnect.com	
ltr	ecr no.	dr	date	linear	0.X \pm 0.3	COPY		projection		title	
A					0.XX \pm 0.13					8P + 12S + 3ACP VERTICAL SOLDER RECEPT	
				angles	0.XXX \pm 0.051					product family	
				dr	0° \pm 2°			MM \leftarrow \rightarrow		PwrBlade	
				enr	JM GUO 02/14/07			scale		code	
				chr	RYAN YUAN 02/14/07			1:1		213	
				appd	BEER FU 02/14/07			A		sheet	
					JOSEPH HSIA 02/14/07			51940-214		4 of 4	
sheet index	revision sheet										

Pro/E

cage code 22526

PDM: Rev:A

STATUS: Released

Printed: Dec 20, 2010