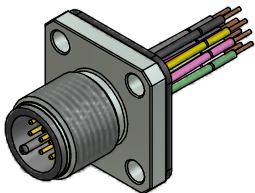
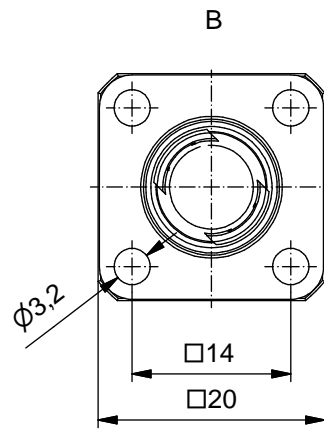


Technical specification:

Rated voltage: IEC 61076-2-101	30 V
Current rating: IEC 61076-2-101	1,5 A at 40°C
Insulation resistance: IEC 60512	>=100 MΩ
Pollution degree: IEC 60664-1	3/2
Degree of protection: IEC 60529	IP 67, in mated condition
Temperature range: IEC 60664-1	-30°C ... +80°C
Mating cycles: IEC 60512-9a	>=100
Materials:	
Contact:	CuZn
Contact plating:	Nickel, gold plated
Contact carrier:	PBT GF, UL 94
Sealing:	NBR
Socket housing:	CuZn, nickel plated
Grouting:	Polyurethane-resin, UL 94

Contact assignment:

1 — brown	7 — black
2 — blue	8 — grey
3 — white	9 — red
4 — green	10 — violet
5 — pink	11 — grey-pink
6 — yellow	12 — red-blue



Part no:	Description:	Pos	Length L:	Wire:
43-01358	SAL - 12 - FSV12 - 0,5 - 20	12	0,5m	AWG 26 PVC, UL
43-xxxxx	SAL - 12 - FSV12 - ... - 20	12	x	

DO NOT ALTER CAD DRAWING BY HAND Directive 2002/95/EC RoHS compliant	Index: c 15.08.11 fro Ä3914 Data sheet revised, technical specification changed, Sleeve side B removed	dim. in mm	title: Male socket M12x1 with wire, with square		
	tolerance of wire: L <= 0,5m: L + 20mm L > 0,5m: L + 4%	date			name
	general tolerance: 0 ± 0,50mm 0,0 ± 0,25mm 0,00 ± 0,10mm	drawn 07.10.08 Fromm	appd. 07.10.08 Mankopf	dwg no: 43K1A770	

THIS DRAWING MAY NOT BE COPIED OR REPRODUCED IN ANY WAY, AND MAY NOT BE PASSED ON TO A THIRD PARTY WITHOUT WRITTEN PERMISSION. OWNERSHIP AND COPYRIGHT OF CONEC GmbH