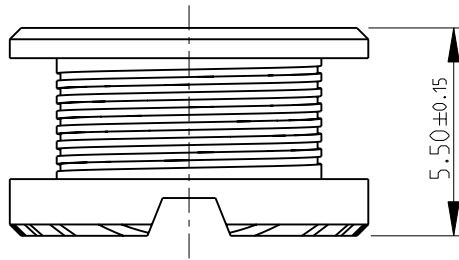
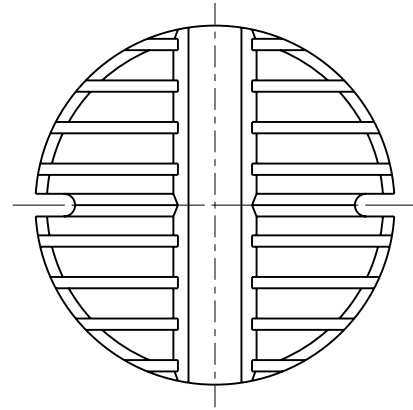
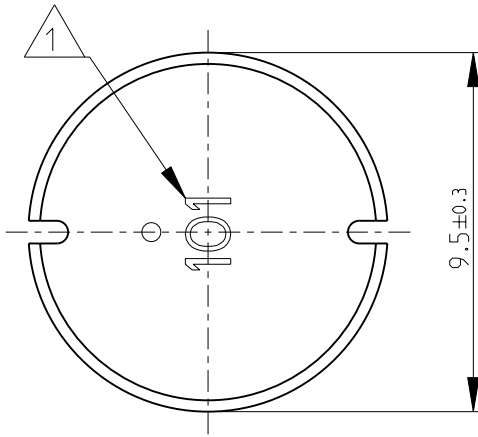


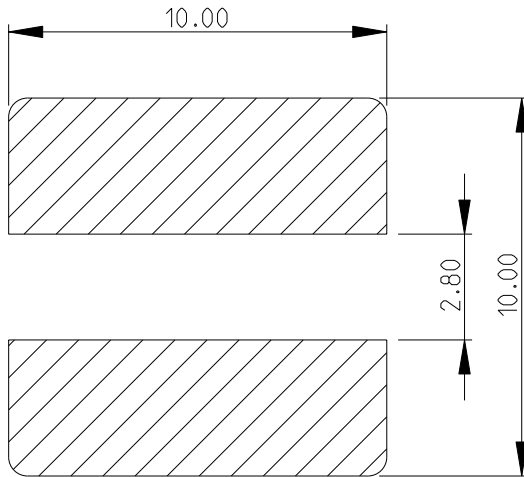
| | | | | | | | |
|-----|------|-----------|-----|-------------|-----------|-----|------|
| LOC | DIST | REVISIONS | | | | | |
| E | B | P | LTR | DESCRIPTION | DATE | DWN | APVD |
| | | BA | | NEW RELEASE | 22-Aug-08 | SM | St.P |



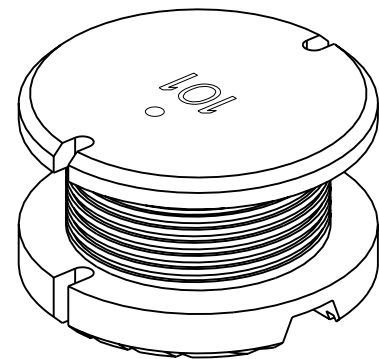
1 INDUCTANCE CODE

2 FOR FURTHER INFORMATION SEE DATA SHEET FOR 3621 SERIES-POWER INDUCTORS

RECOMMENDED LAND PATTERN



RoHS Compliant



2008

RELEASED FOR PUBLICATION

THIS DRAWING IS UNPUBLISHED.

BY TYCO ELECTRONICS CORPORATION. ALL RIGHTS RESERVED.
COPYRIGHT 2008

| | | | | | | |
|--|------------------|-----------|--|-----------|------------|---------------|
| DIMENSIONS: mm | DWN | 22-Aug-08 | MATERIAL | - | FINISH | - |
| | SUBHASH.M | | | | | |
| TOLERANCES UNLESS OTHERWISE SPECIFIED: | CHK | 22-Aug-08 | Tyco Electronics Corporation Dorcan, Swindon, SN3 5HH | | | |
| | PRAKASH.S | | | | | |
| 0 PLC ±0.2 | APVD | 22-Aug-08 | NAME POWER INDUCTORS SERIES 3621E | | | |
| 1 PLC ±0.1 | STEPHEN.P | | | | | |
| 2 PLC ±- | PRODUCT SPEC | - | SIZE | CAGE CODE | DRAWING NO | RESTRICTED TO |
| 3 PLC ±- | APPLICATION SPEC | - | A 4 | 00779 | ©- 1624121 | - |
| 4 PLC ±- | WEIGHT | - | CUSTOMER DRAWING | | | |
| ANGLES ±5° | | | SCALE | SHEET | OF | REV |
| | | | 5:1 | 1 | 1 | BA |