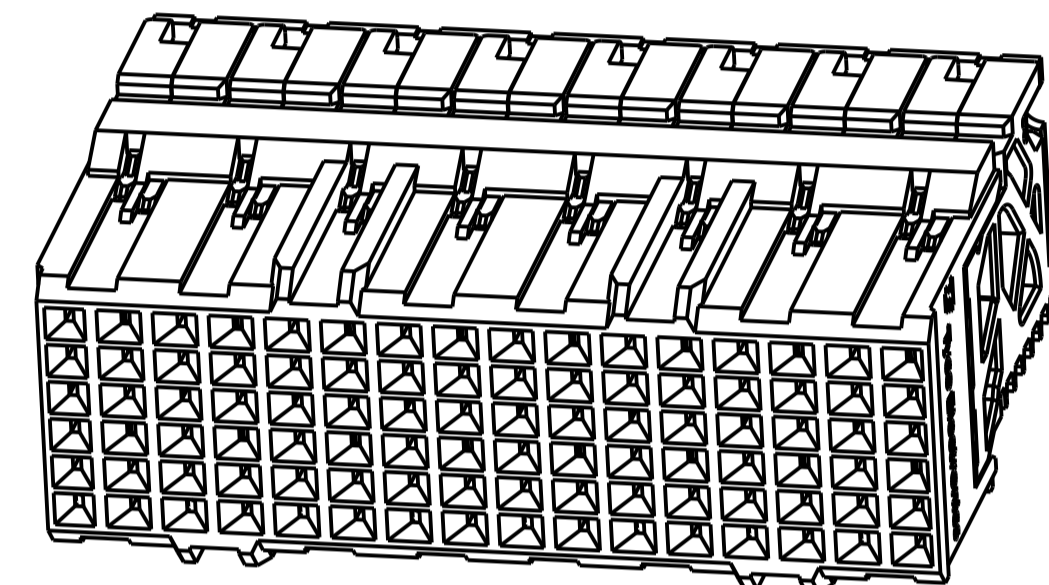
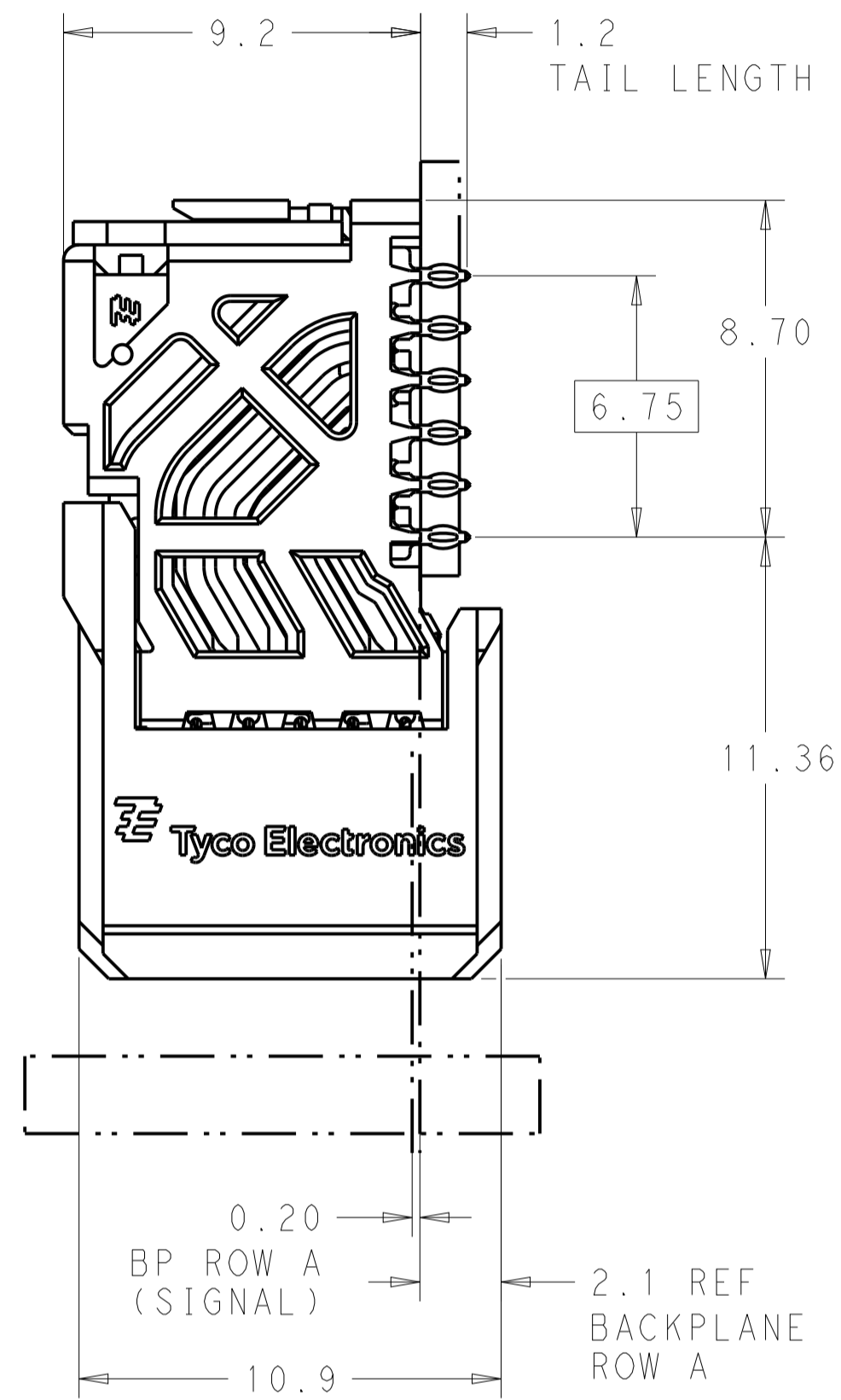
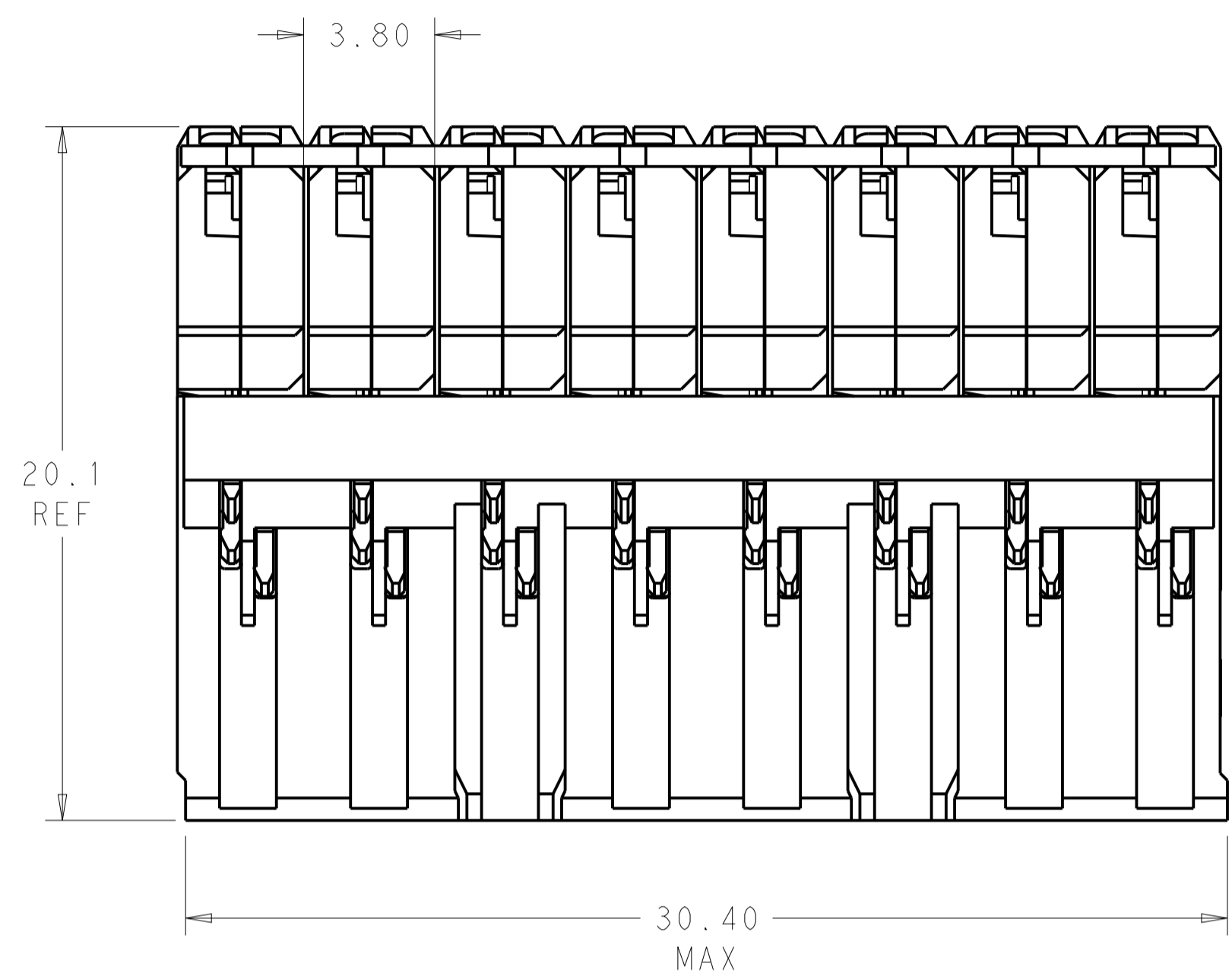


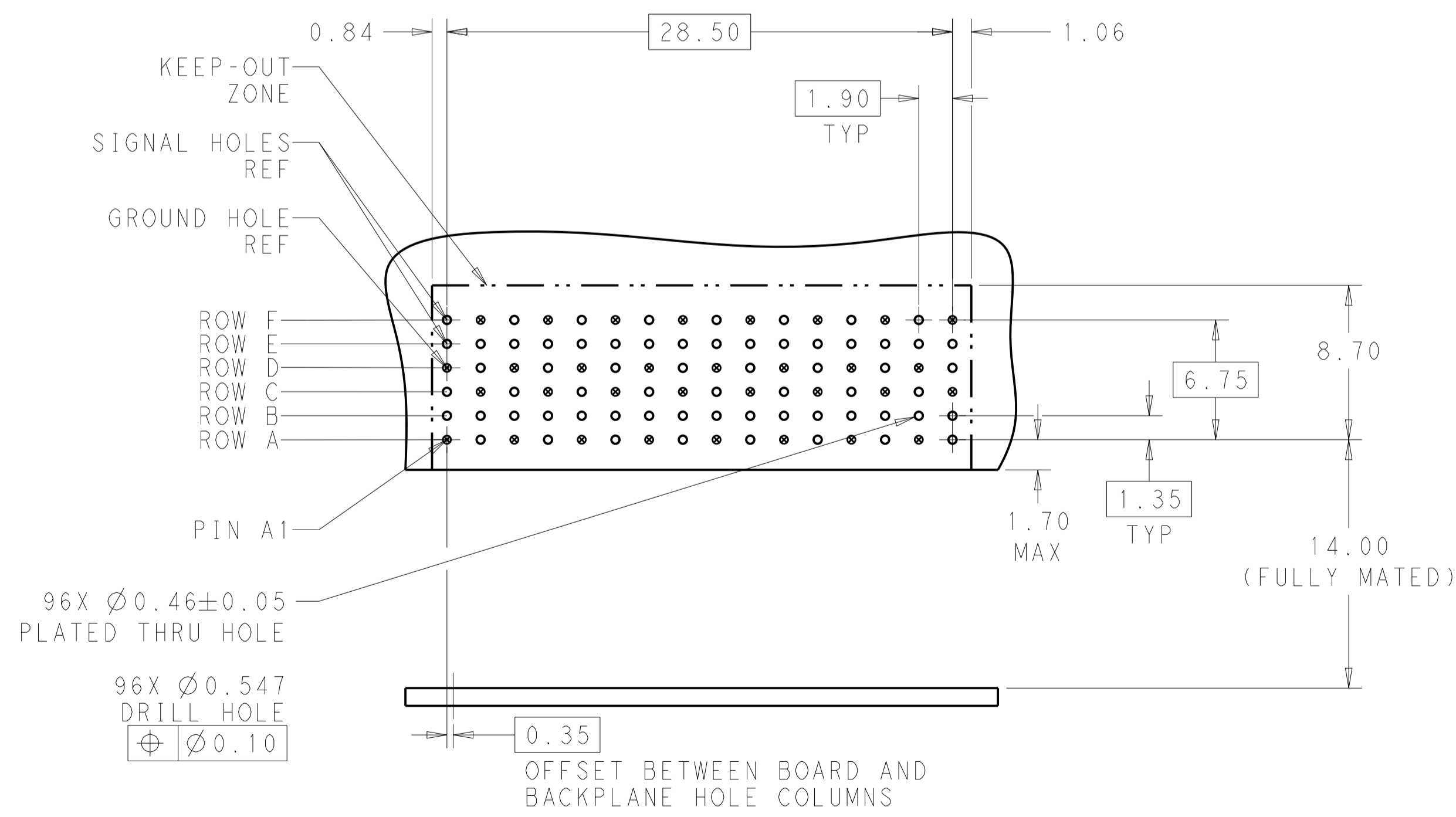
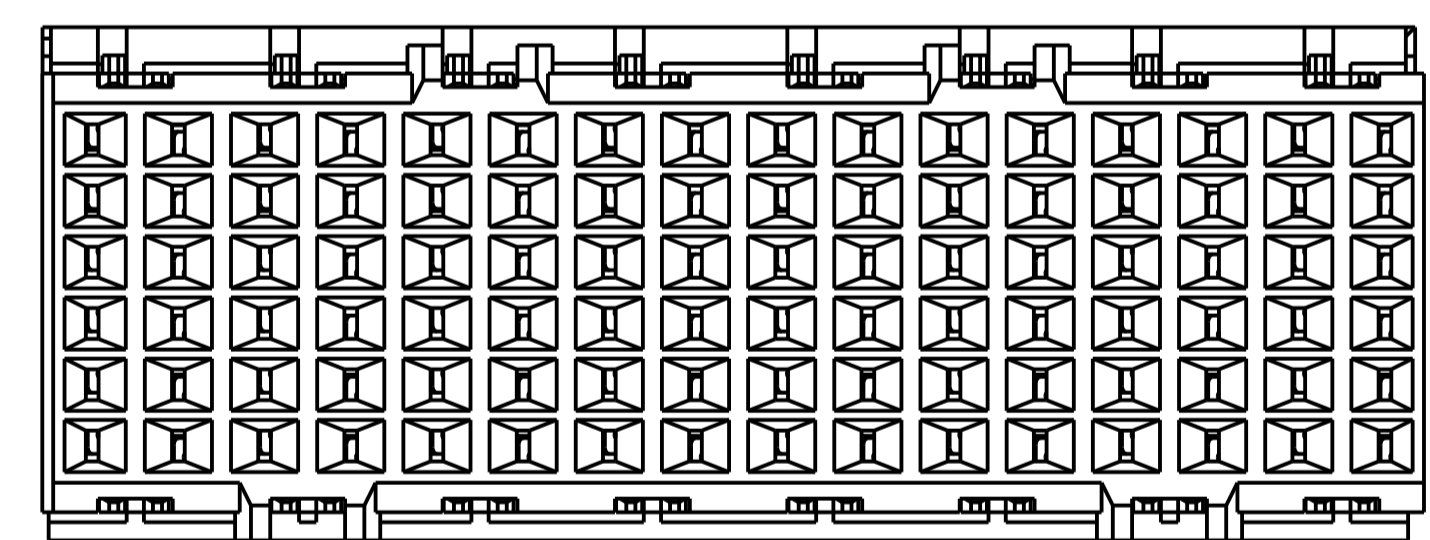
REVISIONS				
P.	LTN	DESCRIPTION	DATE	DWN APVD
A		REVISED PER ECO-14-017984	02DEC2014	AP DD

⚠ MATERIAL:
 HOUSING: LCP, GLASS FILLED, UL94V-0.
 TERMINALS: HIGH PERFORMANCE COPPER ALLOY.

⚠ FINISH:
 30µ" SELECTIVE GOLD IN CONTACT AREA. SELECTIVE TIN
 ON PCB TAILS, NICKEL OVERALL.



SCALE 4:1



REFER TO WWW.TE.COM FOR PRODUCT AVAILABILITY

RECOMMENDED PCB LAYOUT
 MIN BOARD THICKNESS 1.6

NONE	⚠	2057408-1
KEY POSITION	FINISH	PART NUMBER

THIS DRAWING IS A CONTROLLED DOCUMENT.		DWN: KIRAN HOLAL 26NOV2012	TE Connectivity	
DIMENSIONS: mm		CHK: D. DIXON 26NOV2012		
TOLERANCES UNLESS OTHERWISE SPECIFIED:		APVD: D. DIXON 26NOV2012		
0 PLC	±	NAME	IMPACT, 2 PAIR, DAUGHTERCARD	
1 PLC	±0.2	PRODUCT SPEC	16 COLUMN, UNGUIDED, SIGNAL	
2 PLC	±0.13	APPLICATION SPEC	MODULE, 0.46 EYELET	
3 PLC	±	SIZE	A1	
4 PLC	±	CAGE CODE	00779	
ANGLES	±	DRAWING NO	C=2057408	
MATERIAL	SEE TABLE	WEIGHT	-	
FINISH	SEE TABLE	RESTRICTED TO	-	
Customer Drawing		SCALE	6:1	
		SHEET	1 OF 1	
		REV	A	