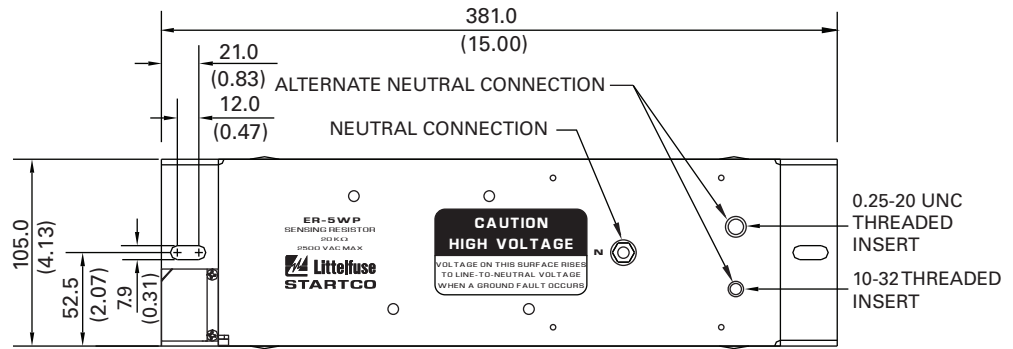
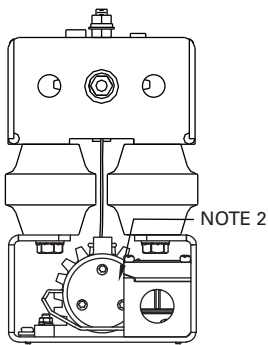


RATINGS:

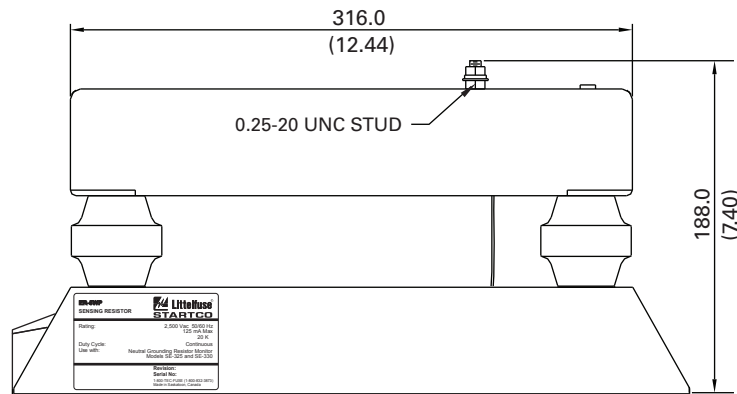
MAXIMUM VOLTAGE . . . 2,500 Vac
 MAXIMUM CURRENT . . . 125 mA
 RESISTANCE 20 kΩ
 THERMAL CONTINUOUS



TOP VIEW



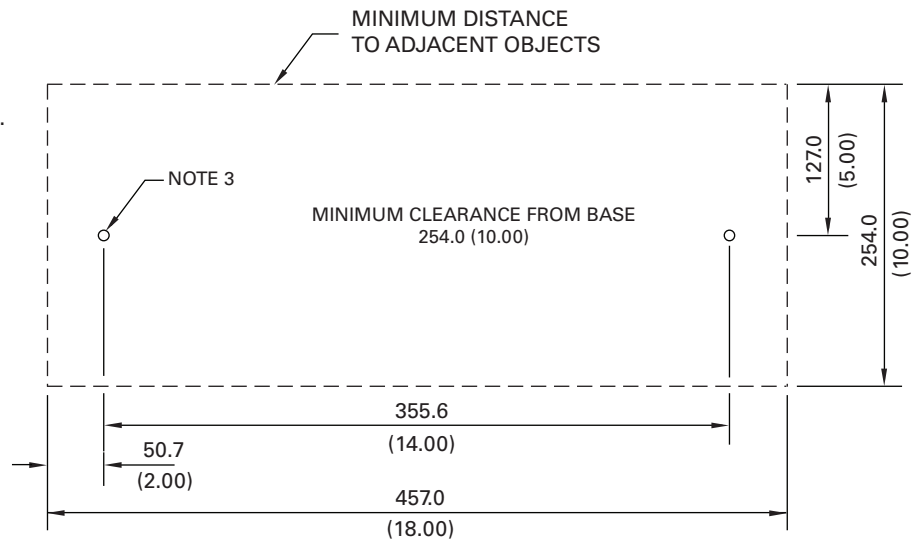
SIDE VIEW



FRONT VIEW

NOTES:

1. DIMENSIONS IN MILLIMETRES (INCHES).
2. TERMINAL-BLOCK SCREWS: 6-32 x 0.25.
3. MOUNTING SCREWS: M6 OR 0.25-20.
4. THIS DEVICE CAN DISSIPATE 300 WATTS. TO MINIMIZE SURFACE TEMPERATURES FOR SYSTEMS ALLOWED TO OPERATE CONTINUOUSLY WITH A GROUND FAULT, MOUNT VERTICALLY WITH R & G TERMINALS DOWN.



MOUNTING DETAIL