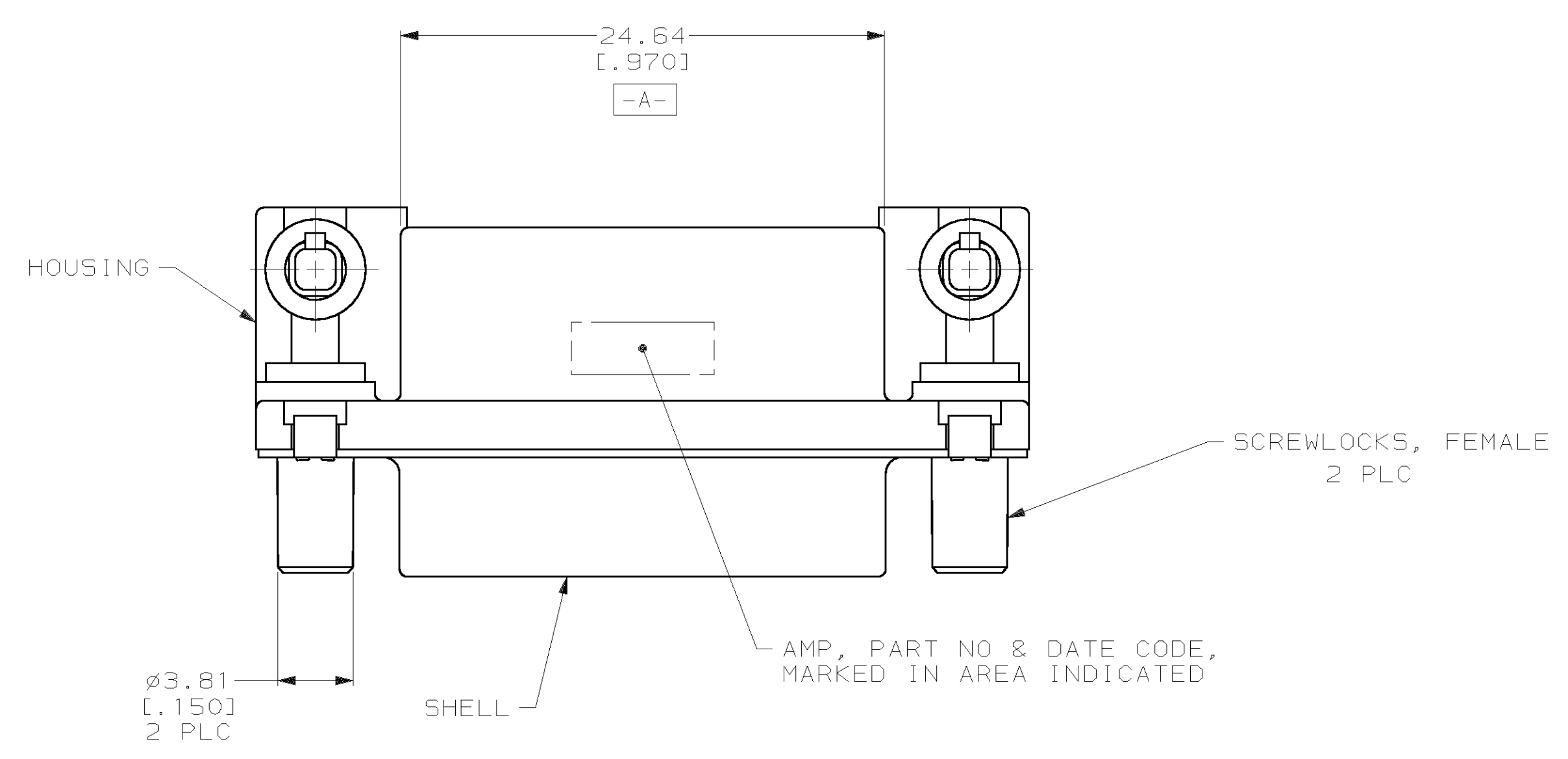
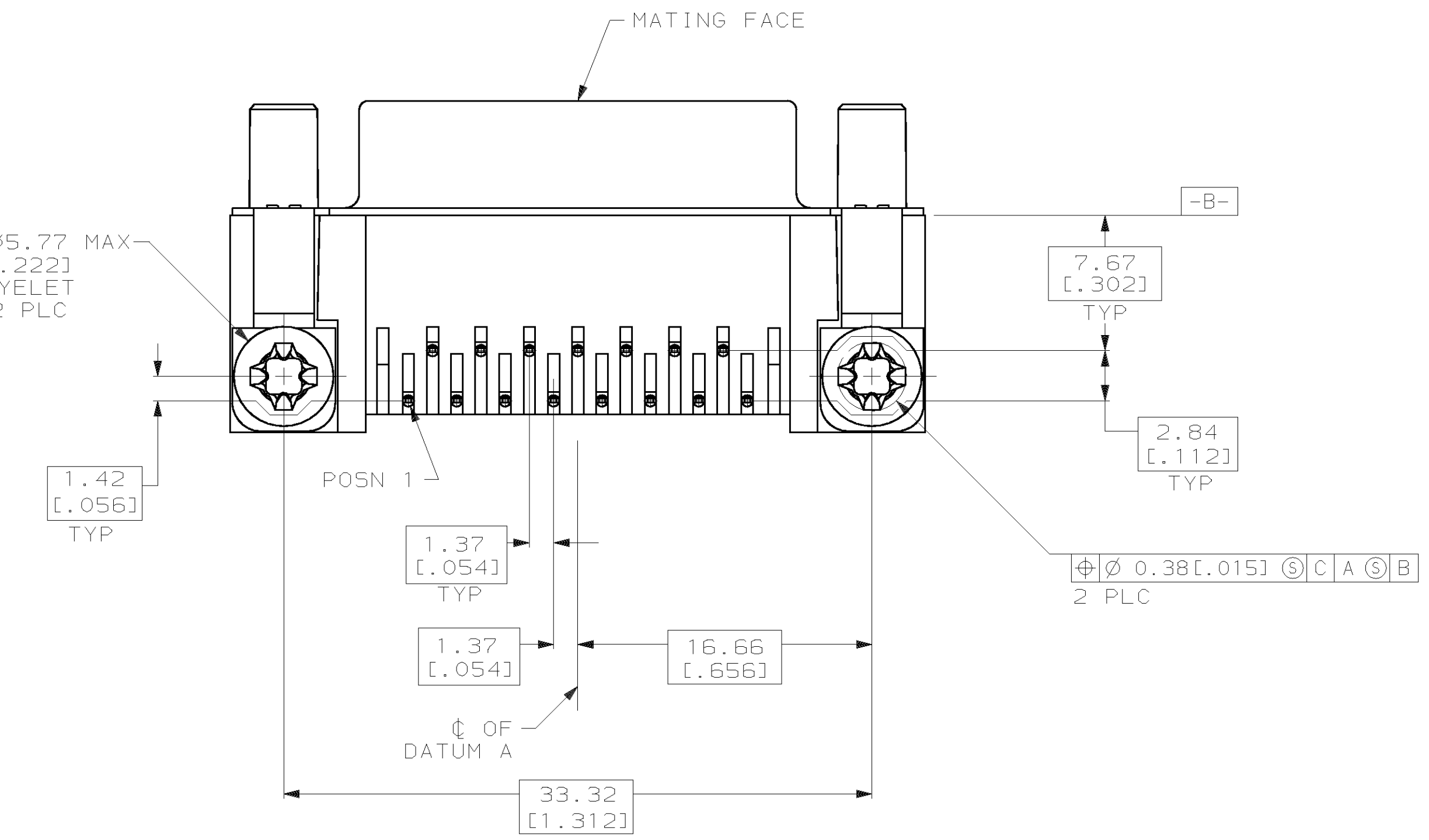
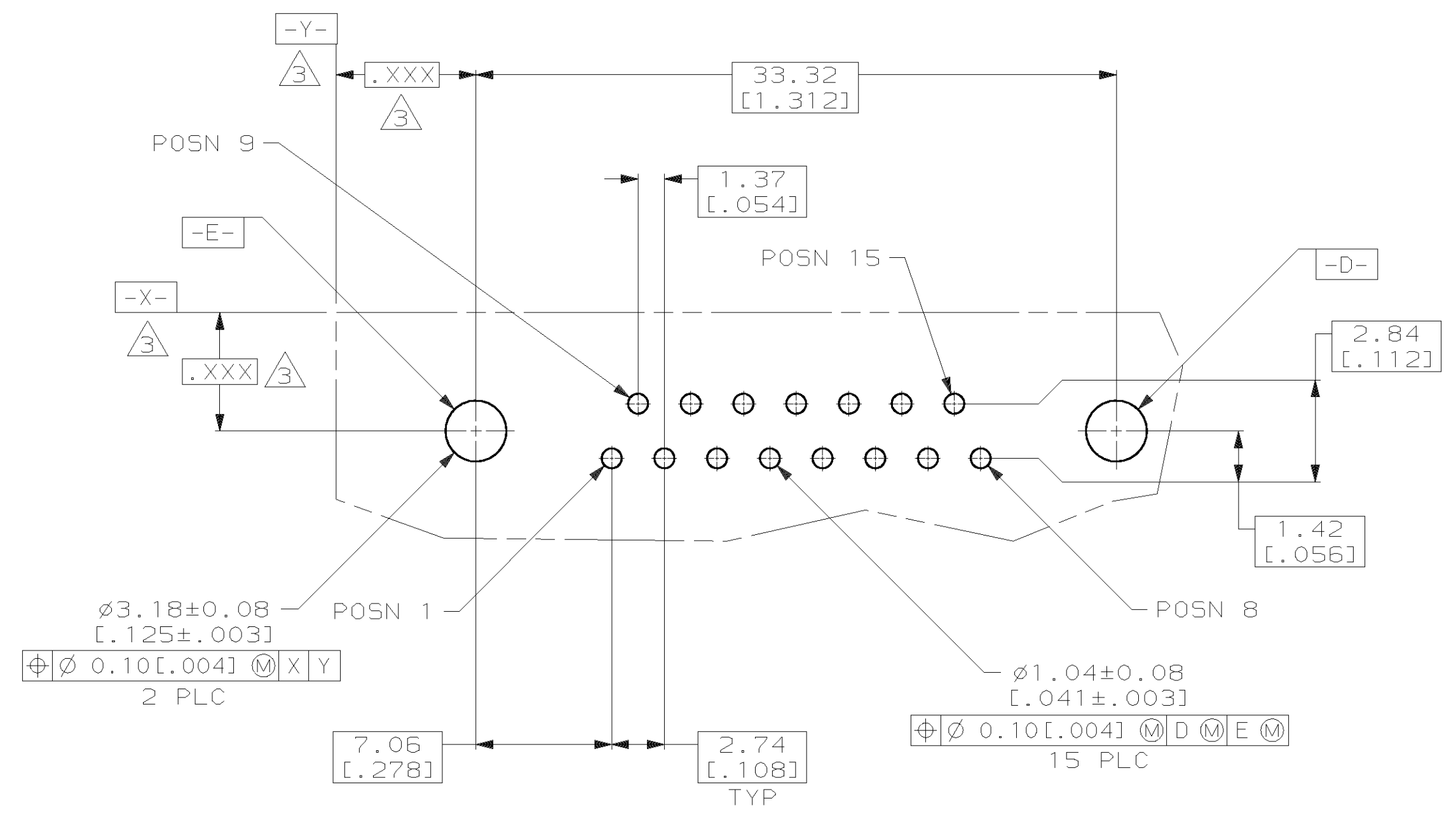
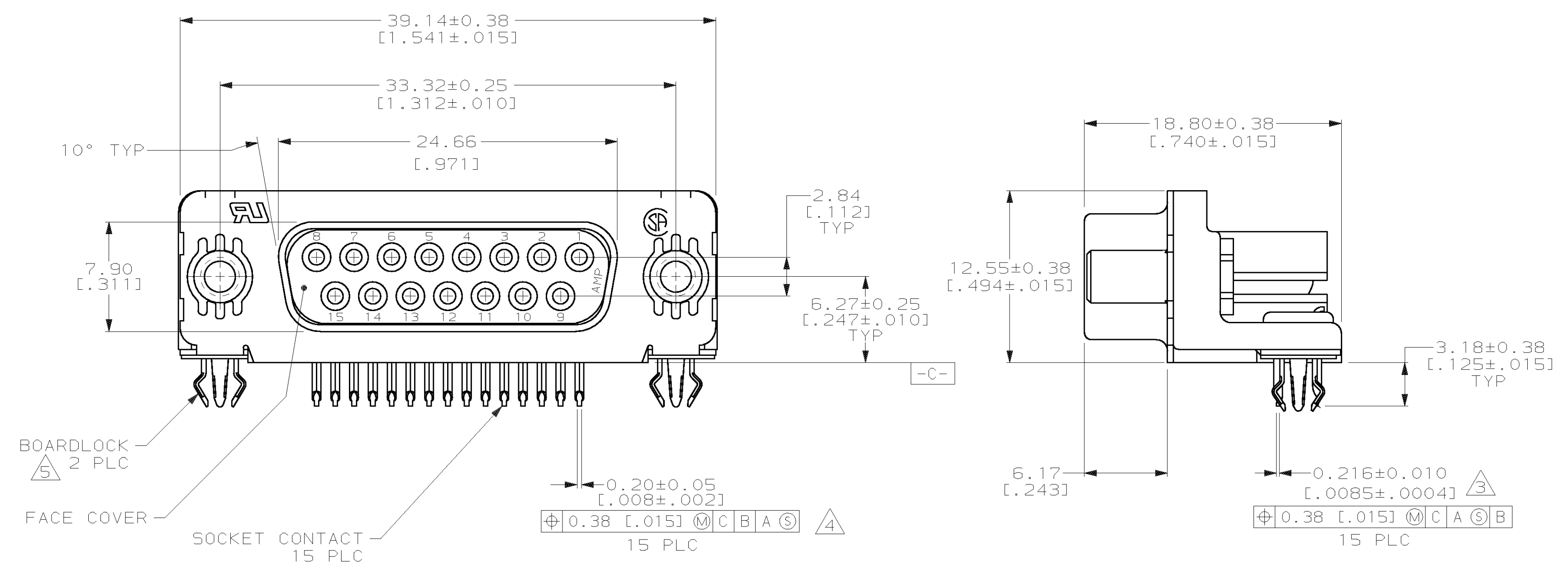


| REVISONS |                             | DATE    | OWN | APVD |
|----------|-----------------------------|---------|-----|------|
| GP       | 00                          |         |     |      |
| B        | REVISED PER EC 0513-0088-02 | 23APR02 | JG  | 5B   |



- ① HOUSING & FACE COVER: NYLON, THERMOPLASTIC, UL 94V0 RATED, BLACK; SHELL: CARBON STEEL PER ASTM A109; SOCKET CONTACTS: PHOSPHOR BRONZE; PER Q0-B-750; EYELETS: BRASS; SCREWLOCKS: ZINC; BOARDLOCKS: COPPER ALLOY.
- ② SOCKET CONTACTS: GOLD PLATED FOR A LENGTH OF 1.27 [0.050] MIN FROM MATING END, 0.76μm [0.00030] MIN GOLD IN MATED AREA, 2.54μm [0.00100] MIN TIN OR TIN-LEAD FOR A LENGTH OF 3.56 [0.140] MIN FROM OPPOSITE END, BOTH OVER 1.27μm [0.00050] MIN NICKEL. EYELETS: 2.54μm [0.00100] MIN TIN-LEAD OR TIN OVER COPPER FLASH. SHELL: 2.54μm [0.00100] MIN TIN OVER 1.27μm [0.00050] MIN COPPER. SCREWLOCKS: CLEAR CHROMATE. BOARDLOCKS: 3.81μm [0.00150] MIN TIN-LEAD OVER 1.27μm [0.00050] MIN NICKEL.
- ③ DATUMS AND BASIC DIMENSIONS ESTABLISHED BY CUSTOMER.
- ④ POSITION TOLERANCE APPLIES AT CONTACT TIP.
- ⑤ BOARDLOCKS WILL ACCEPT .062 MAX PRINTED CIRCUIT BOARD THICKNESS.
- 6. COMPATIBLE WITH TYPICAL HIGH TEMPERATURE SOLDERING APPLICATIONS TO A MAXIMUM OF 225°C FOR A MAXIMUM DURATION OF 90 SECONDS. TEMPERATURE TO BE MEASURED ON CONNECTOR SURFACE.



788799-1  
 PART NUMBER

|  |  |                         |                 |  |
|--|--|-------------------------|-----------------|--|
| THIS DRAWING IS A CONTROLLED DOCUMENT. |  | DWN<br>B. CARRO         | 29 FEB 00       | AMP Incorporated<br>Harrisburg, PA 17105-3608  |
| DIMENSIONS: mm (INCHES)                |  | CHK<br>J. KOPPENHEFFER  | 02 MAR 00       |  |
| TOLERANCES UNLESS OTHERWISE SPECIFIED: |  | APVD<br>J. KOPPENHEFFER | 02 MAR 00       | NAME<br>RCPT ASSEMBLY, SIZE 2, .318 SERIES,<br>WITH FRONT METAL SHELL,<br>HIGH TEMPERATURE, AMPLIMITE™ HD-20 |
| 0 PLC ±.015                            |  | PRODUCT SPEC            | 108-40025       |  |
| 1 PLC ±.010                            |  | APPLICATION SPEC        | 114-40010       | RESTRICTED TO  |
| 2 PLC ±.008                            |  | WEIGHT                  | A1 00779 788799 |  |
| 3 PLC ±.005                            |  | CUSTOMER DRAWING        | SCALE 4:1       | SHEET 1 OF 1   |
| 4 PLC ±.003                            |  |                         |                 | REV B  |
| ANGLES FINISH                          |  |                         |                 |  |